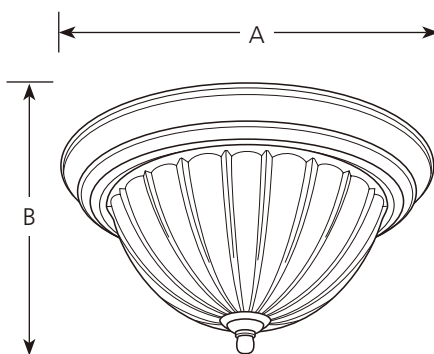


Type _____

	-09	-10	-20	-30	-33
P3816	<input type="checkbox"/>	<input type="checkbox"/>	<input type="checkbox"/>	<input type="checkbox"/>	<input type="checkbox"/>
P3817	<input type="checkbox"/>	<input type="checkbox"/>	<input type="checkbox"/>	<input type="checkbox"/>	<input type="checkbox"/>

Catalog No.	Finish					Lamping	Dimensions (Inches)	
	Brushed Nickel	Polished Brass	Antique Bronze	White	Cobblestone		A	B
P3816	-09	-10	-20	-30	-33	1 (m) 75w	11-3/8	6
P3817	-09	-10	-20	-30	-33	2 (m) 75w	13-1/4	7



P3817

Specifications:

General

- Etched melon glass bowl with center lock up
 - P3816 glass 8-5/8" dia. x 3-5/8" tall, 1/2" center hole
 - P3817 glass 9-13/16" dia. x 4-1/2" tall, 1/2" center hole
- Painted antique bronze (-20), white (-30), or cobblestone (-33) finishes
- Plated brushed nickel (-09) or polished brass (-10) finishes
- Steel construction

Mounting

- Flush ceiling mount
- Pan covers a standard 4" octagonal recessed outlet box
 - P3816 pan 11-3/8" dia. x 1/2" tall
 - P3817 pan 13-1/4" dia. x 1-5/8" tall
- Mounting strap for outlet box included

Electrical

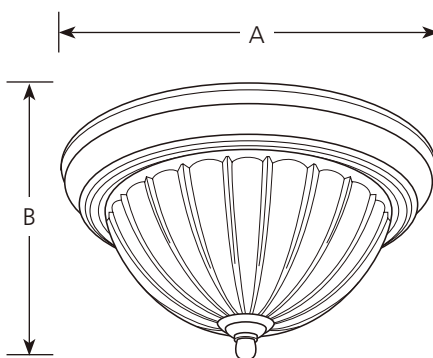
- Ceramic medium base sockets
- Pre-wired

Labeling

- cCSAus "Damp Location" listed

	Type		
	-09EBWB	-20EBWB	-30EBWB
P3816	<input type="checkbox"/>	<input type="checkbox"/>	<input type="checkbox"/>
P3817	<input type="checkbox"/>	<input type="checkbox"/>	<input type="checkbox"/>

Catalog No.	Finish			Lamping	Dimensions (Inches)	
	Brushed Nickel	Antique Bronze	White		A	B
P3816	-09EBWB	-20EBWB	-30EBWB	1 13w CFL (Included)	11-3/8	6
P3817	-09EBWB	-20EBWB	-30EBWB	2 13w CFL (Included)	13-1/4	7



P3816

Specifications:

General

- Etched melon glass bowl with center lock up
-P3816 glass 8-5/8" dia. x 3-5/8" tall, 1/2" center hole
-P3817 glass 9-13/16" dia. x 4-1/2" tall, 1/2" center hole
- Painted white (-30) or antique bronze (-20) finishes
- Plated brushed nickel (-09) finish
- Steel construction

Mounting

- Flush ceiling mount
- Pan covers a standard 4" octagonal recessed outlet box
-P3816 pan 11-3/8" dia. x 1/2" tall
-P3817 pan 13-1/4" dia. x 1-5/8" tall
- Mounting strap for outlet box included

Electrical

- GU24 based sockets
- Pre-wired

Labeling

- cCSAus "Damp Location" listed