

Liberty Pumps®

ISD-Series Duplex

Three Phase Duplex Intrinsically Safe Installation Instructions and Operation/Troubleshooting Manual



Warranty void if panel is modified.

Call factory with servicing questions:

1-800-543-2550



7000 Apple Tree Avenue
Bergen, New York 14416
Phone: 1-800-543-2550

Email: liberty@libertypumps.com
www.libertypumps.com

1046368A • Rev 01/16

This control panel must be installed and serviced by a licensed electrician in accordance with the National Electric Code NFPA-70, state and local electrical codes.

IMPORTANT: BEFORE PROCEEDING TO INSTALL AND WIRE THE CONTROL PANEL, READ AND THOROUGHLY UNDERSTAND THESE INSTRUCTIONS.

When installed according to these instructions and Article 504 of the National Electrical Code (NFPA 70) this control panel provides intrinsically safe sensing circuits for interface with Class 1, Division 1, Groups C and D hazardous locations. Intrinsically safe wiring must be in accordance with the enclosed control drawing of the specific intrinsically safe relay manufacturer. **NEMA 4X enclosures are for indoor or outdoor use**, primarily to provide a degree of protection against corrosion, windblown dust, rain, splashing water and hose-directed water. **Cable connectors must be liquid-tight in NEMA 4X enclosures.**

Installation

ISD-Series three phase duplex panels are designed to operate as three or four float systems. The three float system is standard performing the common pump stop, lead pump start, and lag pump start/high level alarm functions. The four float system utilizes separate floats for lag pump start and high level alarm.

NOTE: Options ordered may affect the number of floats and their functions. Please reference the schematic provided with the control panel for proper installation.

Installation of Floats

CAUTION: If control switch cables are not wired and mounted in the correct location, the pump system will not function properly.

1. Use float label kit to identify and label cables on both float and stripped ends (stop, lead, lag, alarm, etc.). See schematic for float options.
2. Determine your normal operating level, as illustrated in **Figures 1-2**.
3. Mount float switches at appropriate levels as illustrated in **Figures 3-5**. Be sure that floats have free range of motion without touching each other, or other equipment in the basin.

If using the mounting clamp; follow steps 4-6.

4. Place the cord into the clamp as shown in **Figure 5**.
5. Locate the clamp at the desired activation level and secure the clamp to the discharge pipe as shown in **Figure 5**.

NOTE: Do not install cord under hose clamp.

6. Tighten the hose clamp using a screwdriver. Over tightening may result in damage to the plastic clamp. Make sure the float cable is not allowed to touch the excess hose clamp band during operation.

NOTE: All hose clamp components are made of 18-8 stainless steel material. See your Liberty Pumps, Inc. supplier for replacements.

Installation Instructions

Mounting the control panel

1. The control panel must be situated in a nonhazardous area in an appropriate NEMA rated enclosure, where an explosive atmosphere will not exist at any time. If distance exceeds the length of either the float switch cables or the pump power cables, splicing will be required. For outdoor or wet installation, we recommend the use of a SJE-Rhombus® liquid-tight junction box with liquid-tight connectors to make required connections. Use separate junction boxes for intrinsically safe wiring.

WARNING: Intrinsically safe wiring must be kept separate from non-intrinsically safe wiring. Intrinsically safe wiring and non-intrinsically safe wiring may occupy the same raceway if they are at least two inches (50 mm) apart and separately tied down. Inside panels, field wiring terminals for intrinsically safe circuits must be separate from non-intrinsically safe wiring. Do not exceed maximum cable length as stated in intrinsically safe relay control drawing.

2. Mount control panel with mounting flanges furnished.
3. Determine conduit entrance for intrinsically safe wiring. Entrance location must be within intrinsically safe barrier area. A separate rigid metallic conduit must be used to enclose the conductors of the intrinsically safe control circuit.

NOTE: Be sure that it is of adequate size to pull the switch cables through.

4. Determine conduit entrance for "power-in" and pump cables. The entrance location must be outside of the intrinsically safe barrier area.

NOTE: Be sure the power supply voltage, and phase are the same as the pump motor being installed. If in doubt, see the pump identification plate for voltage/phase requirements.

5. Drill proper size hole for "power-in" and pump cable conduit connections.
6. Attach conduit connectors to control panel.

**FOR INSTALLATION REQUIRING A SPLICE,
FOLLOW STEPS 7-10;
FOR INSTALLATION WITHOUT A SPLICE,
GO TO STEP 11.**

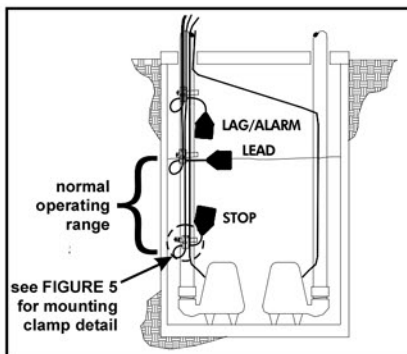


FIGURE 1 - Three float duplex (pump down installation)

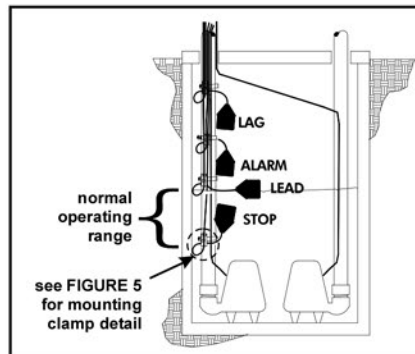


FIGURE 2 - Four float duplex (pump down installation)

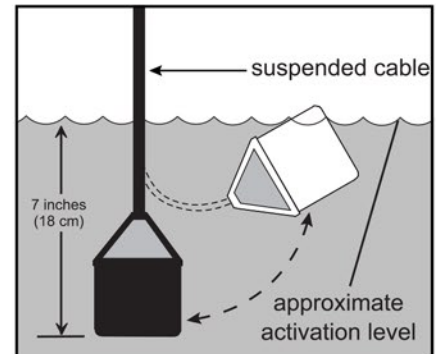


FIGURE 3 - Internally weighted float

7. Determine location for mounting junction box according to NEC requirements. Separate junction boxes are required for pump wiring and float wiring. Mount junction boxes to proper supports. **Do not** mount the junction box inside the sump or basin.
 8. Run conduit to junction box. Drill proper size holes for the type of conduit used. Attach connectors to junction box.
 9. Identify and label each wire before pulling through conduit into control panel and junction box. Make wire splice connections at junction box.
 10. Firmly tighten and seal all fittings on junction boxes.
 11. If splicing is not required, identify and label pump cable before pulling through conduit into control panel.
 12. Bring intrinsically safe circuits (i.e. float switches) through separate rigid metallic conduit into the control panel area marked for intrinsically safe wiring.
- WARNING: All wiring entering the hazardous location must be sealed by an approved seal in accordance with the National Electric Code article 504.**
13. Wire switch cables according to the schematic provided with control panel.
 14. Bring pump cables and "power-in" wiring through conduit into the control panel.
 15. Wire the pump cables and the "power-in" cables according to the schematic provided with control panel.
 16. Connect "power-in" conductors to proper locations: 208/240/480 to three position terminal block. **Install tagged factory wire to appropriate transformer primary voltage tap.**
 17. The GROUND LUG (GL) is a redundant system ground terminal and **MUST BE CONNECTED TO THE EARTH GROUND BUSS OF THE CONTROL'S AC SUPPLY LINE FEEDER.** The resistance between the system ground terminals and the earth must be less than 1 ohm. Connect ground wire from conduit system to ground terminal (GL) in the panel.

VERIFY CORRECT OPERATION OF CONTROL PANEL AFTER INSTALLATION IS COMPLETE.

Installation Instructions

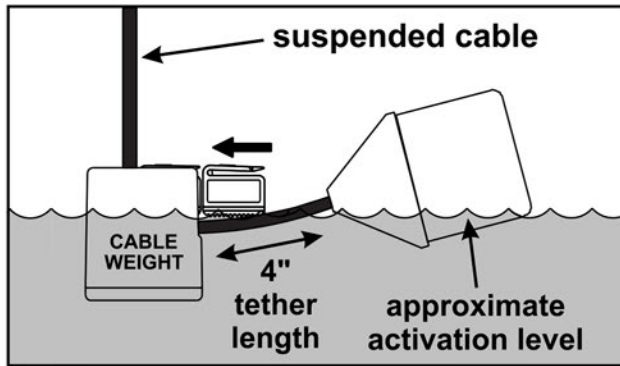


FIGURE 4 - Float with cable weight

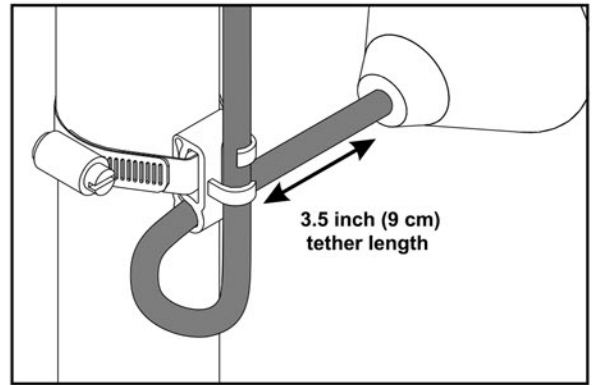


FIGURE 5 - Mounting clamp detail

Operations

ISD-Series three phase duplex panels are designed to operate with three or four floats for pump sequencing. The standard float functions are common pump stop, lead pump start, lag pump start/ alarm (three floats), or separate lag and alarm floats (four floats). Other float options, such as redundant off, are available.

Three Float Operation: When all floats are in the open or OFF position, the panel is inactive. As the liquid level changes and closes the stop float, the panel will remain inactive until the lead float closes. At this point, the lead pump will start. If the liquid level continues changing and closes the lag/alarm float, the lag pump will start and the audio/visual alarm will activate. Both pumps and the alarm will remain active until the liquid level changes and the lag float opens. At this time the alarm will silence. Both pumps will remain on until the liquid level changes to the normal level and all three floats are opened. When both pumps have stopped running, the alternator will switch the lead pump and lag pump operating functions for the next sequence.

Four Float Operation: The alarm will activate and remain on only if the alarm float is closed.

Alarm System (Horn and Indicator - standard)

When an alarm condition occurs, a red light and a horn will be activated. If the test/normal/silence switch is moved to the silence position the horn will be silenced. When the alarm condition is cleared, the horn is reset. The alarm system can be tested by moving the test/normal/silence switch to the test position.

Motor Protective Switch

A motor protective switch is supplied for each pump to provide an adjustable overload, branch circuit protection and pump disconnect. The overload must be set in the field. To set the overload, dial the amp scale to the pump's full load amps (FLA). If the FLA's are unknown, use a calibrated amp meter to measure the pump amperage draw under loaded conditions. An auxiliary contact is wired in series with the magnetic contactor coil so that on an overload trip, the magnetic contactor will be disabled. In the event of an overload trip, the motor protective switch must be reset by first turning the handle counterclockwise to the OFF position and then turning the handle 90° clockwise to the ON position.

Pump Run Lights

The run light will be ON in either the hand or the automatic mode when the pump is called to run unless other safety measures are employed.

HOA Switch

A hand-off-automatic switch is provided for each pump. In the hand mode, the pump will turn on unless other safety features are employed. In the automatic mode, the pump will turn on and off from commands by the float switches.

Control On/Off Switch

In the OFF position the control and alarm circuits will be disabled. Pumps will not run in the hand or automatic positions. In the ON position, both control and alarm circuits are enabled.

Seal Failure Circuit and Indicator Light (optional)

The seal fail circuit has resistance sensitivity and will sense the presence of water in the pump seal chamber. Upon installation, turn the sensitivity dial on the seal fill module to the point where the light turns on, then dial back slowly until the light turns off. If water enters the seal chamber at the point, the seal failure circuit will sense the change in resistance. After a short time delay, the indicator light will turn on. When the condition is cleared, the relay will de-energize and the indicator light will turn off. The seal fail relay has a sensitivity adjustment so that false readings may be tuned out.

Dry Auxiliary Contacts (optional)

Normally open - Contacts are open under normal conditions and closed when alarm condition is present.

Normally closed - Contacts are closed under normal conditions and open when alarm condition is present.

Both types automatically reset once alarm condition is cleared.

Thermal Cutout (optional)

The thermal cutout is wired in series with the magnetic contactor coil. If the pump's thermal switch opens on high temperature, the contactor will turn off and stop the pump. When the thermal switch cools and closes, the magnetic contactor will turn on if the pump is called to run.

NOTE: Some options ordered may not be included in this manual.

Troubleshooting



WARNING!



ELECTRICAL SHOCK HAZARD

Disconnect all power sources before servicing. Failure to do so could result in serious injury or death.

Alarm Horn

Moving the test/normal/silence switch to the test position or activating the alarm float should turn on the alarm horn. If the horn does not sound replace with horn of same type.

Alarm Light

Moving the test/normal/silence switch to the test position or activating the alarm float should turn on the alarm light. If the light does not activate, replace with same type.

Alternating Relay or Device

The alternation can be sequenced by lifting the float switches or making jumper wires to simulate the floats closing. If the alternator fails during testing, replace with same type. Consult factory at **1-800-RHOMBUS** (1-800-746-6287) when in doubt about testing procedures or results.

Float Controls

Check the floats through their entire range of operation. Clean, adjust, or replace damaged floats.

Checking the float resistance - The float resistance can be measured to determine if the float is operating correctly or is defective. Use the following procedure to measure the float resistance:

1. Isolate the float by disconnecting one or both of the float leads from the float terminals.

2. Place one ohmmeter lead on one of the float wires, and the other ohmmeter lead on the other float wire.
3. Place the ohmmeter dial to read ohms and place on the R X 1 scale. With the float in the "off" position, the scale should read infinity (high resistance). Replace the float if you do not get this reading. With the float in the ON position, the scale should read nearly zero (very low resistance). Replace the float if you do not get this reading.

NOTE: Readings may vary depending on the length of wire and accuracy of the measuring device.

Fuses

Check the continuity of the fuse. With power OFF, pull the fuse out of the fuse block. With the ohmmeter on the R X 1 scale, measure resistance. A reading of infinity indicates a blown fuse and must be replaced. Replace fuse with same type, voltage and amp rating.

Indicator Lights

If defective, replace all indicator pilot lights with same type.

Magnetic Contactor Coil

Contacts - Check the contacts for severely burnt or welded contacts. The contactor arm should move freely.

Coil - Measure the coil by disconnecting one of the coil leads. Measure the coil resistance by setting the ohmmeter on the R X 1 scale. A defective coil will read zero or infinity, indicating a short or opened coil respectively. If contactor is defective, replace with same type.

NOTE: Readings may vary slightly depending on the accuracy of the measuring device.

Motor Protective Switch

Test by inserting a paper clip or other small device into the test hole and push to the left. The relay should trip.

Liberty Pumps Three-Year Limited Warranty

***NOTE:** Liberty Pumps, Inc. assumes no responsibility for damage or injury due to disassembly in the field. Disassembly, other than at Liberty Pumps or its authorized service centers, automatically voids warranty.

Liberty Pumps, Inc. warrants that pumps of its manufacture are free from all factory defects in material and workmanship for a period of 3 years from the date of purchase. The date of purchase shall be determined by a dated sales receipt noting the model and serial number of the pump. The dated sales receipt must accompany the returned pump if the date of return is more than 3 years from the "CODE" (date of manufacture) number noted on the pump nameplate.

The manufacturer's obligation under this Warranty shall be limited to the repair or replacement of any parts found by the manufacturer to be defective, provided the part or assembly is returned freight prepaid to the manufacturer or its authorized service center, and provided that none of the following warranty-voiding characteristics are evident.

The manufacturer shall not be liable under this Warranty if the product has not been properly installed; if it has been disassembled, modified, abused or tampered with; if the electrical cord has been cut, damaged or spliced; if the pump discharge has been reduced in size; if the pump has been used in water temperatures above the advertised rating, or water containing sand, lime, cement, gravel or other abrasives; if the product has been used to pump chemicals or hydrocarbons; if a non-submersible motor has been subjected to excessive moisture; or if the label bearing the serial, model and code number has been removed. Liberty Pumps, Inc. shall not be liable for any loss, damage or expenses resulting from installation or use of its products, or for consequential damages, including costs of removal, reinstallation or transportation.

There is no other express warranty. All implied warranties, including those of merchantability and fitness for a particular purpose, are limited to three years from the date of purchase.

This Warranty contains the exclusive remedy of the purchaser, and, where permitted, liability for consequential or incidental damages under any and all warranties are excluded.