



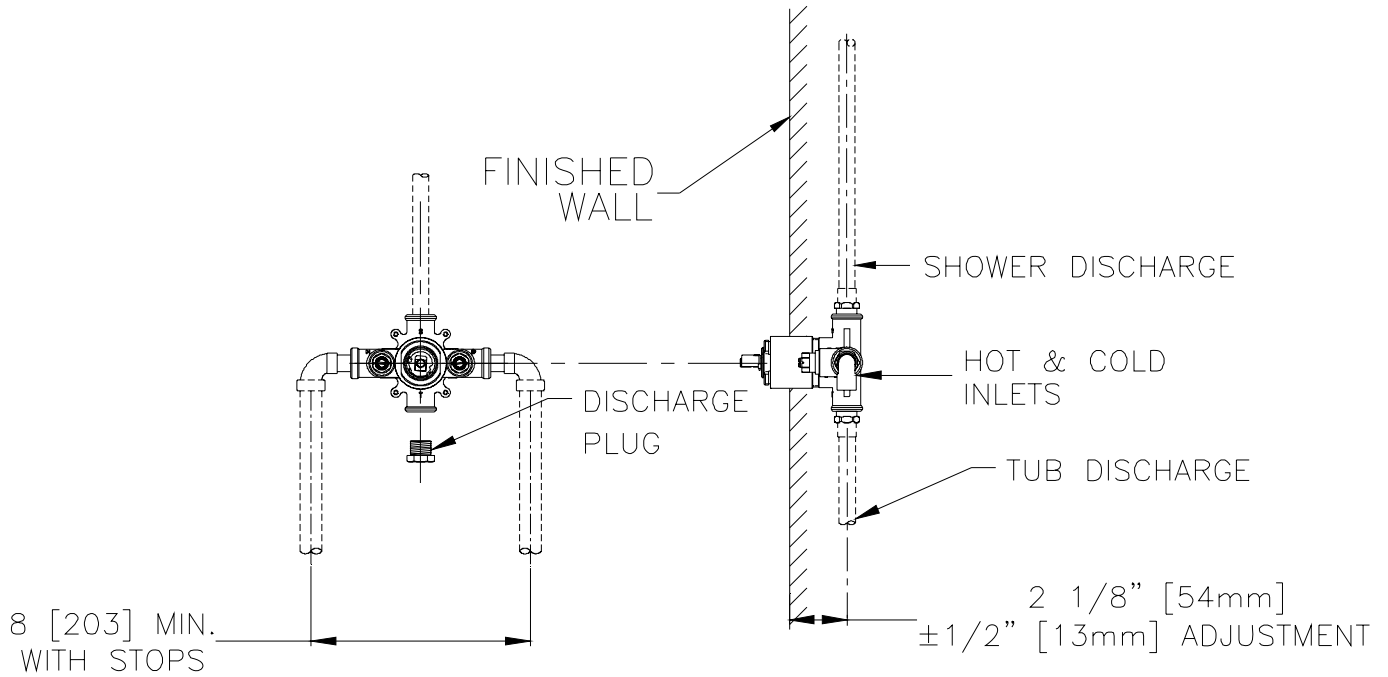
TEMP-GARD III TUB and SHOWER VALVE

TPK7300-SS

TAG _____

ENGINEERING SPECIFICATIONS: ZURN TPK7300-SS

Single handle pressure balancing mixing tub and shower valve, ceramic control cartridge with stainless steel balancing piston, built in reverse connection capability (To reverse the hot and cold inlets simply remove cartridge and turn 180°), two service stops / check stops, and adjustable limit stop. When valve is turned on it must rotate from cold through to the hot position. The valve inlets and outlets are 1/2" NPT female thread connections. The tub outlet is supplied with a discharge plug for shower only applications.



Note: All dimensions are for reference only. Do not use for pre-plumbing.
Parts shown as hidden lines are supplied by others.

OPTIONS

	Description
RK7300-EXT	Extension Kit, Extends Valve Out by 1".
RK7300-WF	Wall Mounting Flange For Fiberglass or Panel Wall Installation

STANDARDS

Tested to meet the following standards for valves and plumbing fittings:
ASSE Standard No. 1016
ASME A112.18.1 / CSA B125.1
IAPMO® Listed
Meets or Exceeds ANSI A117.1M standard for physically handicapped



ZURN INDUSTRIES, LLC ♦ COMMERCIAL BRASS OPERATION ♦ 2640 SOUTH WORK STREET ♦ FALCONER NY 14733

Phone: 1-800-997-3876 ♦ Fax: 1-919-775-3541 ♦ www.zurn.com

In Canada: ZURN INDUSTRIES LIMITED ♦ 3544 Nashua Drive ♦ Mississauga, Ontario L4V1L2 ♦ Phone: 905/405-8272 Fax: 905/405-1292