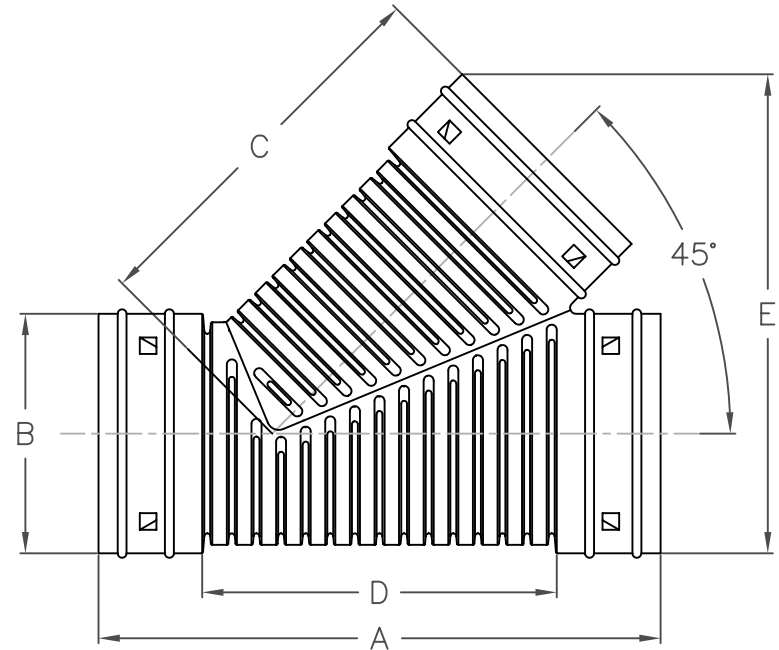



SINGLE WALL WYES

PART #	PIPE SIZE	A	B	C	D	E
0322AA	3 in (75 mm)	10.50 in (267 mm)	4.00 in (102 mm)	7.00 in (178 mm)	6.38 in (162 mm)	8.38 in (213 mm)
0422AA	4 in (100 mm)	11.63 in (295 mm)	5.13 in (130 mm)	7.63 in (194 mm)	7.25 in (184 mm)	9.75 in (248 mm)
0522AA	5 in (125 mm)	13.63 in (346 mm)	6.25 in (159 mm)	9.25 in (235 mm)	8.75 in (222 mm)	11.88 in (302 mm)
0622AA	6 in (150 mm)	16.00 in (406 mm)	7.38 in (187 mm)	11.13 in (283 mm)	11.38 in (289 mm)	14.13 in (359 mm)
0822AA	8 in (200 mm)	19.25 in (489 mm)	10.00 in (254 mm)	13.50 in (343 mm)	14.88 in (378 mm)	18.75 in (476 mm)



NOTE: ALL DIMENSIONS ARE NOMINAL

 ADVANCED DRAINAGE SYSTEMS, INC.			REVISIONS	
DRAWN BY JDP		APPROVED BY AWM		DRAWING # 1020
07.17.02		08.30.02		
BY		DATE		