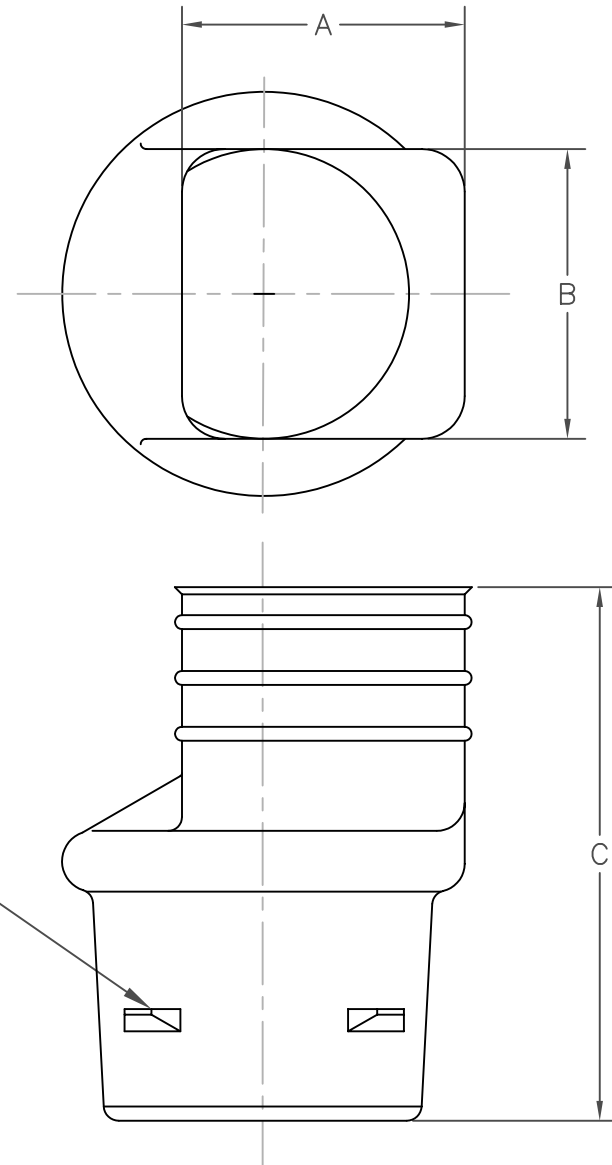


DOWNSPOUT ADAPTERS


PART #	PIPE SIZE	A	B	C
0364AA	3 in (75 mm)	2.50 in (64 mm)	3.25 in (83 mm)	4.75 in (121 mm)
0464AA	4 in (100 mm)	2.50 in (64 mm)	3.25 in (83 mm)	4.75 in (121 mm)
0465AA	4 in (100 mm)	3.25 in (83 mm)	4.50 in (114 mm)	5.00 in (127 mm)
0466AA	4 in (100 mm)	2.56 in (65 mm)	2.56 in (65 mm)	4.63 in (117 mm)
0664AA	6 in (150 mm)	3.62 in (92 mm)	5.63 in (143 mm)	6.43 in (163 mm)
0664AC*	6 in (150 mm)	3.62 in (92 mm)	5.63 in (143 mm)	6.43 in (163 mm)

* Part 0664-AC is PVC

SNAP CONNECTION



NOTE: ALL DIMENSIONS ARE NOMINAL

 ADVANCED DRAINAGE SYSTEMS, INC.			REVISIONS		
			BY	DATE	
DRAWN BY JDP	07.25.02	APPROVED BY AWM	10.05.02	DRAWING # 6000	