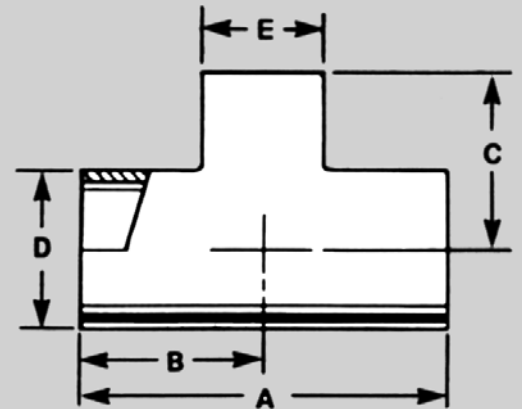


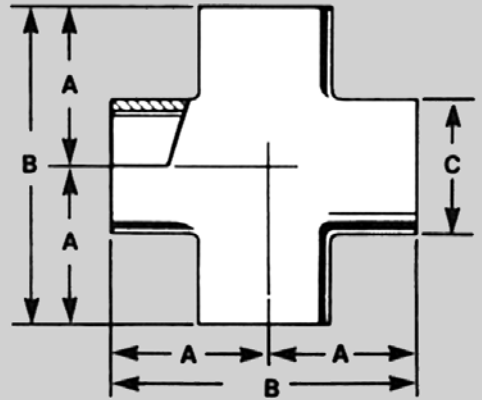
### L7RWWW-REDUCING TEE (3A)

SIZE (TUBE O.D.)	A	B	C	D	E	STOCK NO.
1-1/2 X 1	3-5/16	1-21/32	1-3/8	1-1/2	1	351115R10
2 X 1	4-1/8	2-1/16	1-5/8	2	1	351120R10
2 X 1-1/2	4-1/8	2-1/16	1-29/32	2	1-1/2	351120R15
2-1/2 X 1	4-11/16	2-11/32	1-7/8	2-1/2	1	351125R10
2-1/2 X 1-1/2	4-11/16	2-11/32	2-5/32	2-1/2	1-1/2	351125R15
2-1/2 X 2	4-11/16	2-11/32	2-5/32	2-1/2	2	351125R20
3 X 1	5-3/16	2-19/32	2-13/32	3	1	351130R10
3 X 1-1/2	5-3/16	2-19/32	2-13/32	3	1-1/2	351130R15
3 X 2	5-3/16	2-19/32	2-9/16	3	2	351130R20
3 X 2-1/2	5-3/16	2-19/32	2-19/32	3	2-1/2	351130R25
4 X 1	6-7/8	3-7/16	2-29/32	4	1	351140R10
4 X 1-1/2	6-7/8	3-7/16	2-29/32	4	1-1/2	351140R15
4 X 2	6-7/8	3-7/16	3-1/16	4	2	351140R20
4 X 2-1/2	6-7/8	3-7/16	3-29/32	4	2-1/2	351140R25
4 X 3	6-7/8	3-7/16	3-29/32	4	3	351140R30



### L9WWWWW-CROSS (3A)

SIZE (TUBE O.D.)	A	B	C	STOCK NO.
1	1-1/8	2-1/4	1	3511410
1-1/2	1-21/32	3-5/16	1-1/2	3511415
2	2-1/16	4-1/8	2	3511420
2-1/2	2-11/32	4-11/16	2-1/2	3511425
3	2-19/32	5-3/16	3	3511430
4	3-7/16	6-7/8	4	3511440



### L31 CONCENTRIC REDUCER (3A)

SIZE (TUBE O.D.)	A	B	C	STOCK NO.
1-1/2 X 1	2	1-1/2	1	3511515
2 X 1	4	2	1	3511520A
2 X 1-1/2	2	2	1-1/2	3511520
2-1/2 X 1	6	2-1/2	1	351152510
2-1/2 X 1-1/2	4	2-1/2	1-1/2	3511525
2-1/2 X 2	2	2-1/2	2	3511525A
3 X 1	8	3	1	351153010
3 X 1-1/2	6	3	1-1/2	3511530
3 X 2	4	3	2	3511530A
3 X 2-1/2	2	3	2-1/2	3511530B
4 X 1	12	4	1	351154010
4 X 1-1/2	10	4	1-1/2	3511540
4 X 2	8	4	2	3511540A
4 X 2-1/2	6	4	2-1/2	3511540B
4 X 3	4	4	3	3511540C

