

Specifications

PFWSC8871 ORRS SINGLE HANDLE LAVATORY FAUCET



Product Features

- Brass construction
- Ceramic disc cartridge
- Max. flow rate: 1.2 gpm at 60 psi
- 50/50 Pop-up
- Optional deck plate included.
- Meets ASME : A112.18.1
- cUPC/IAPMO listed
- ADA compliant

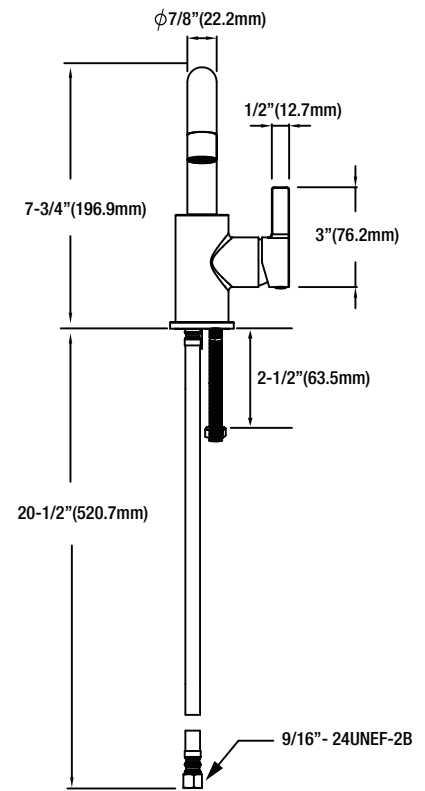
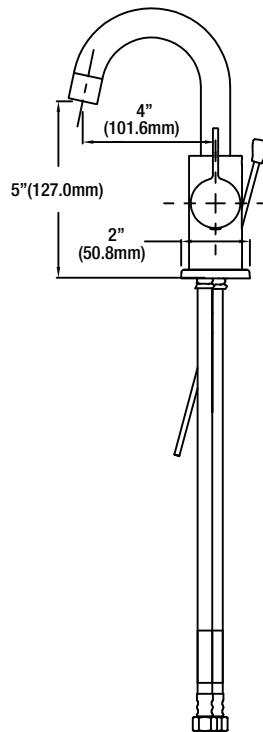
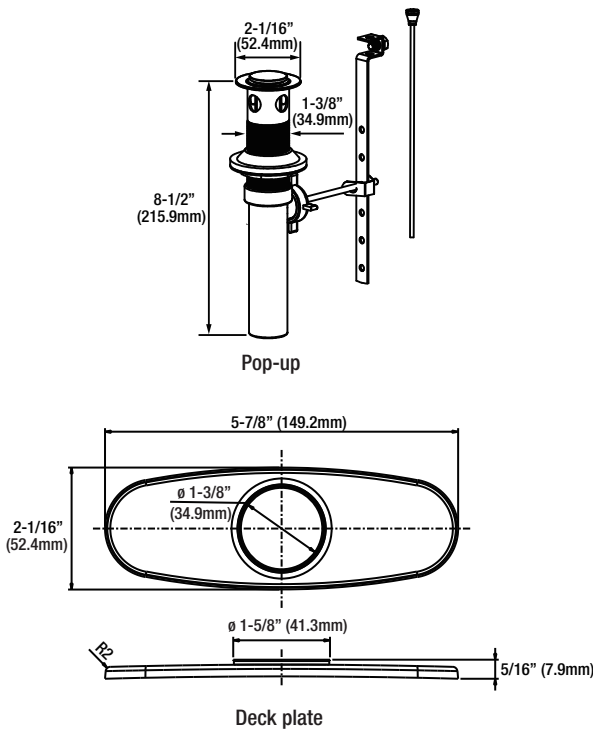
Model Numbers

PFWSC8871CP	Chrome
PFWSC8871BN	Brushed nickel
PFWSC8871MB	Matte black



PFWSC8871

Product Specifications



Warranty and Codes

This product comes complete with installation, operating, care and maintenance instructions. This PROFLO faucet carries a limited lifetime warranty when installed in residential applications. The warranty is five years in commercial applications. This product meets ASME: A112.18.1. *Compliant with lead content requirements of US Senate Bill S.3874*

