

# Repair Parts

116.101.AB.1

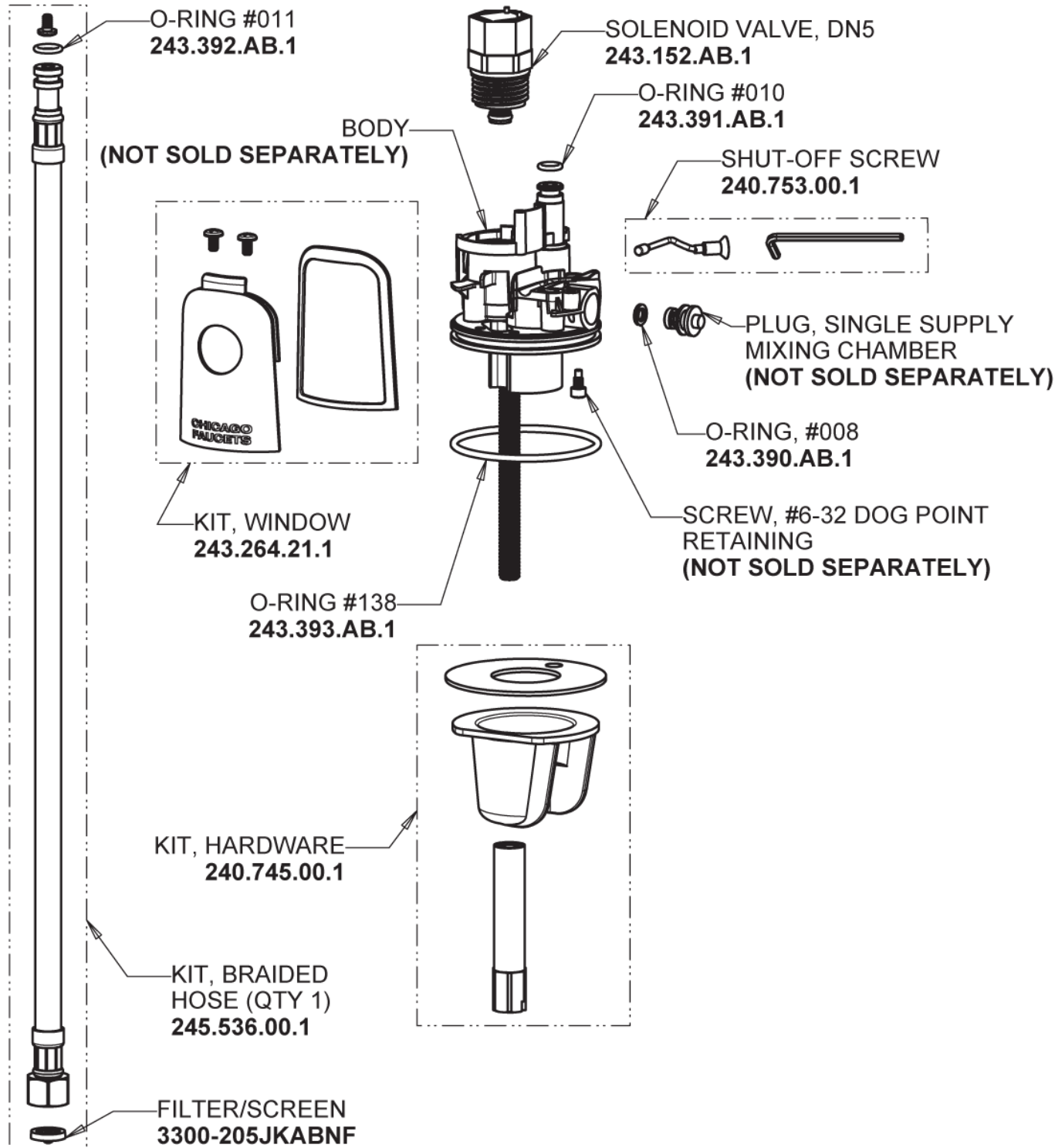
Touch-free, programmable faucet with above-deck electronics

# CHICAGO FAUCETS®

Geberit Group

HyTronic Base, No Mixer

## Base Parts:



## For Technical Assistance:

Phone: 800-TEC-TRUE (832-8783)

Email: [techsupport.us@chicagofaucets.com](mailto:techsupport.us@chicagofaucets.com)

2100 South Clearwater Drive

Des Plaines, IL 60018

Phone: 847-803-5000

[chicagofaucets.com](http://chicagofaucets.com)

# Repair Parts

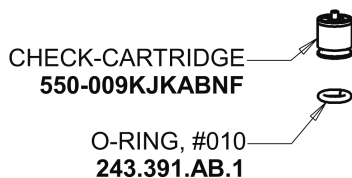
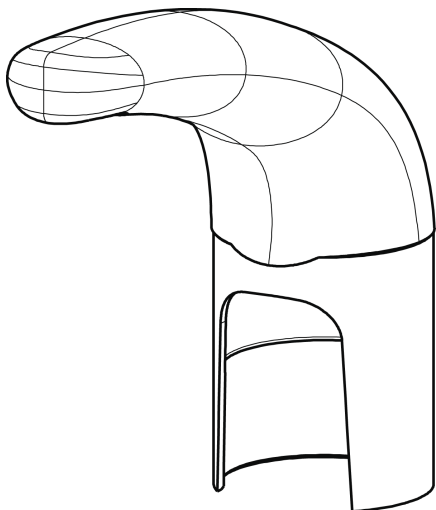
116.101.AB.1

Touch-free, programmable faucet with above-deck electronics

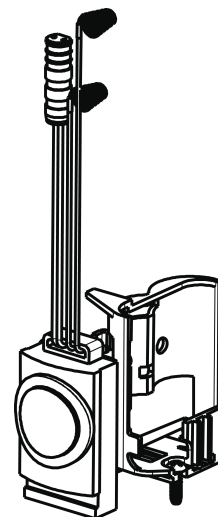
# CHICAGO FAUCETS®

Geberit Group

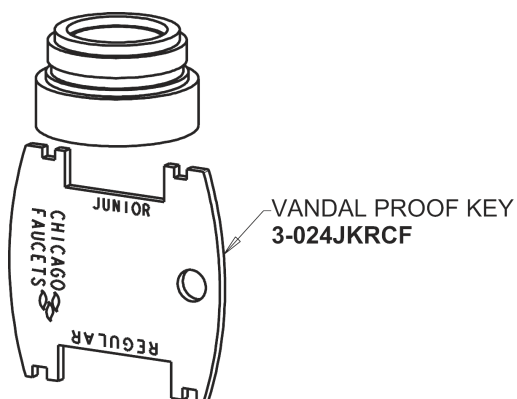
HyTronic Traditional Spout  
**240.724.AB.1**



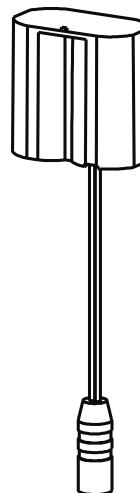
Electronic Module  
**242.433.00.1**



0.5 GPM (1.9 L/min) Vandal Proof Econo-Flo Non-Aerating  
Spray  
**E2805JKABCP**



AC Power Adapter  
**240.747.00.1**



## For Technical Assistance:

Phone: 800-TEC-TRUE (832-8783)

Email: [techsupport.us@chicagofaucets.com](mailto:techsupport.us@chicagofaucets.com)

2100 South Clearwater Drive  
Des Plaines, IL 60018  
Phone: 847-803-5000  
[chicagofaucets.com](http://chicagofaucets.com)