

# STERLING®

A KOHLER COMPANY

ACCLAIM™

## Features

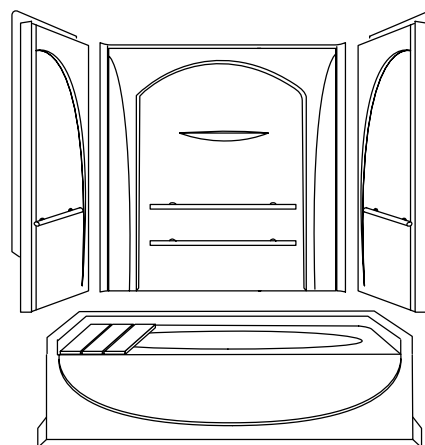
- Compression molded from our exclusive solid Vikrell® material
- Stainless steel grab bars 1-1/2" (3.8 cm) OD
- Tongue-and-groove 4-piece modular design allows for easy "snap together" installation
- Durable high-gloss finish
- Handicap seat mounts directly to back wall of bath surround and rests on dam of bath
- 10-year consumer/3-year commercial limited warranty
- Backwall bars: Two 33" (83.8 cm) long grab bars  
Endwall bar: 24" (61 cm) long grab bar
- 15" (38.1 cm) bath depth (floor to top of threshold)
- 60-1/4" (153 cm) x 31-1/2" (80 cm) x 73-1/2" (186.7 cm) complete unit rough-in dimensions include flanges
- 60" (152.4 cm) x 30" (76.2 cm) x 72" (182.9 cm) complete unit finished dimensions

60" (152.4 cm) ADA COMPLIANT  
BATH AND WALL SURROUND

**71090115**  
ALSO 71090125



MATERIAL STRENGTH.  
PROVEN PERFORMANCE.™



## Codes/Standards Applicable

Specified model meets or exceeds the following:

- ADA
- ANSI Z124.1.2
- ASTM E162
- ASTM E662
- HUD, UM Bulletin 73A
- NAHB Research Foundation, Inc.

## Colors/Finishes

- 0: White
- Other: Refer to Price Book for additional colors/finishes

## Specified Model

Model	ADA Compliant Complete Unit Description	Colors/Finishes	
71090115	60" (152.4 cm) ADA compliant bath and wall surround, left drain	<input type="checkbox"/> 0	<input type="checkbox"/> Other _____
71090125	60" (152.4 cm) ADA compliant bath and wall surround, right drain (shown)	<input type="checkbox"/> 0	<input type="checkbox"/> Other _____

Model	ADA Adaptable Wall Component Description	Colors/Finishes	
71091114	60" (152.4 cm) bath only, left drain	<input type="checkbox"/> 0	<input type="checkbox"/> Other _____
71091124	60" (152.4 cm) bath only, right drain	<input type="checkbox"/> 0	<input type="checkbox"/> Other _____
71092103	Back wall, with grab bars	<input type="checkbox"/> 0	<input type="checkbox"/> Other _____
71094103	Complete wall set, with grab bars	<input type="checkbox"/> 0	<input type="checkbox"/> Other _____
71095103	End wall set, with grab bars	<input type="checkbox"/> 0	<input type="checkbox"/> Other _____

## Technical Information

Fixture*:	
Bathing well	42" (106.7 cm) x 16-1/4" (41.3 cm)
Top area	56" (142.2 cm) x 23-3/4" (60.3 cm)
To overflow:	
Water depth	13" (33 cm)
Capacity	34 gal (128.7 L)
* Approximate measurements for comparison only.	

Model	door maximum width	door maximum height
71090115	58-1/2" (148.6 cm)	56-1/2" (143.5 cm)
71090125		

## Installation Notes

Install this product according to the installation guide.

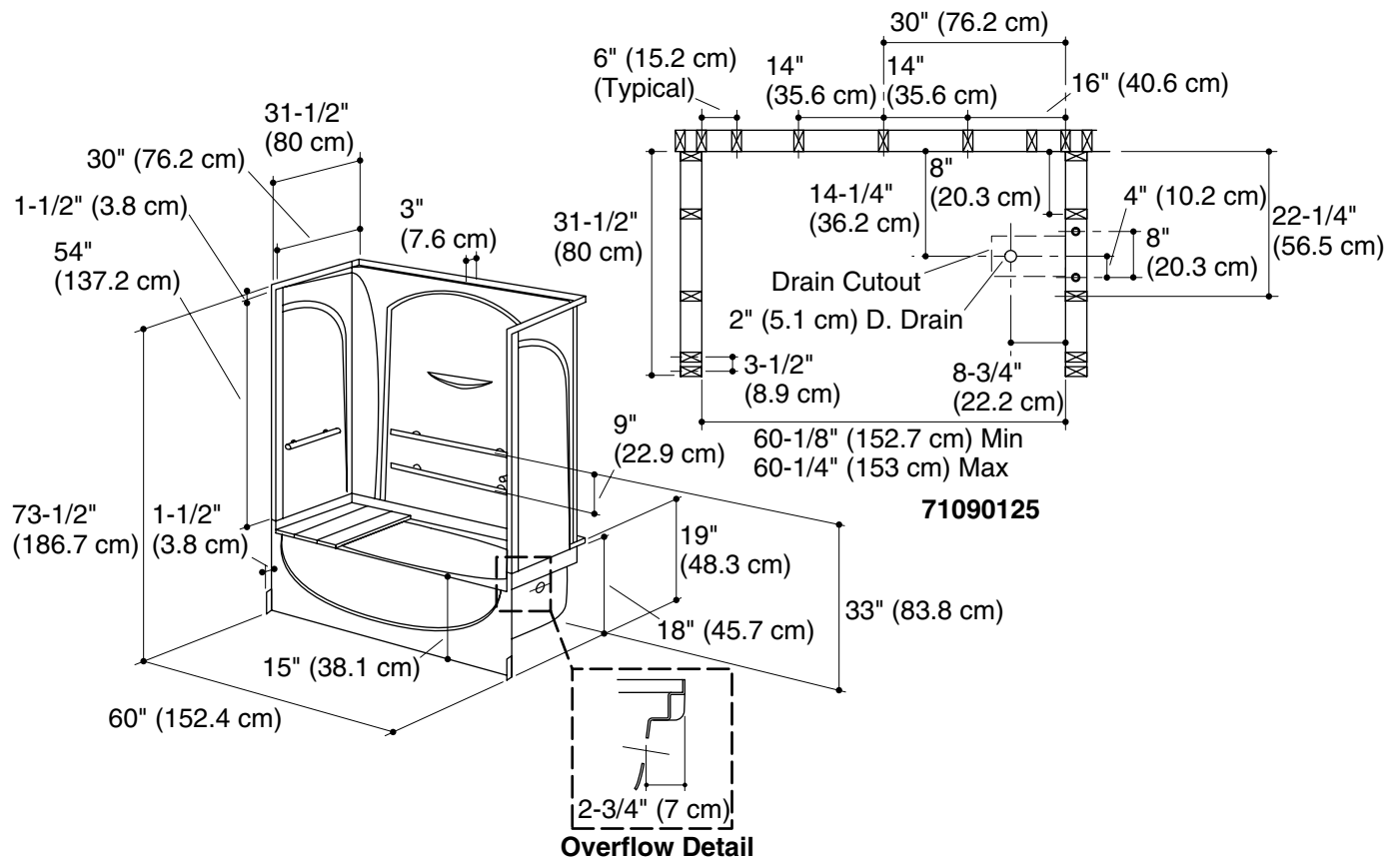
To be ADA compliant, install according to the requirements of the Americans with Disabilities Act (ADA). Use only ADA compliant components.

Size the drain cutout to fit the drain assembly that will be used.

Stud positioning is critical.

Studs should be positioned as shown.

Adjacent finished wall thickness must not exceed 9/16" (1.4 cm).



**Product Diagram**