

STERLING®

A KOHLER COMPANY

ENSEMBLE™

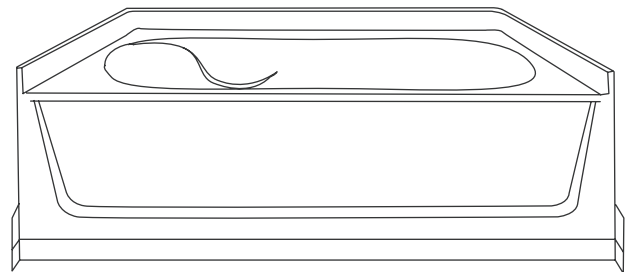
Features

- Compression molded from our exclusive solid Vikrell® material
- Gentle sloping back, neck, and armrest in bath design
- Above-floor-drain (AFD) rough-in
- Factory installed apron extension made of Vikrell® and injection molded undersupport structure
- Durable high-gloss finish
- 10-year consumer/3-year commercial limited warranty
- 3" (7.6 cm) wainscot/tile ledge
- 18-1/4" (46.4 cm) bath depth (floor to top of threshold)
- 60-1/4" (153 cm) x 43-1/2" (110.5 cm) x 22-1/4" (56.5 cm) rough-in dimensions include flange
- 60" (152.4 cm) x 42" (106.7 cm) x 21-1/4" (54 cm) finished dimensions

42" (106.7 cm) AFD OVAL BATH

7111112

ALSO 7111122



Codes/Standards Applicable

Specified model meets or exceeds the following:

- ANSI Z124.1.2
- CSA B45
- ASTM E162
- ASTM E662

Colors/Finishes

- 0: White
- Other: Refer to Price Book for additional colors/finishes

Specified Model

Model	Description	Colors/Finishes	
7111112	42" (106.7 cm) AFD oval bath, left drain	<input type="checkbox"/> 0	<input type="checkbox"/> Other_____
7111122	42" (106.7 cm) AFD oval bath, right drain	<input type="checkbox"/> 0	<input type="checkbox"/> Other_____

Model	Access Panel Component Description	Colors/Finishes	
7111119	AFD bath only with access panel, left drain	<input type="checkbox"/> 0	<input type="checkbox"/> Other_____
7111129	AFD bath only with access panel, right drain	<input type="checkbox"/> 0	<input type="checkbox"/> Other_____

ENSEMBLE™

Technical Information

Fixture*:	
Basin area:	
Bathing well	40" (101.6 cm) x 27" (68.6 cm)
Top area	52" (132.1 cm) x 35" (88.9 cm)
To overflow:	
Water depth	11" (27.9 cm)
Capacity	55 gal (208.2 L)
* Approximate measurements for comparison only.	

Model	door maximum width	door maximum height
71111112	58-1/2" (148.6 cm)*	NA*
71111122		
* Varies with alternative walls.		

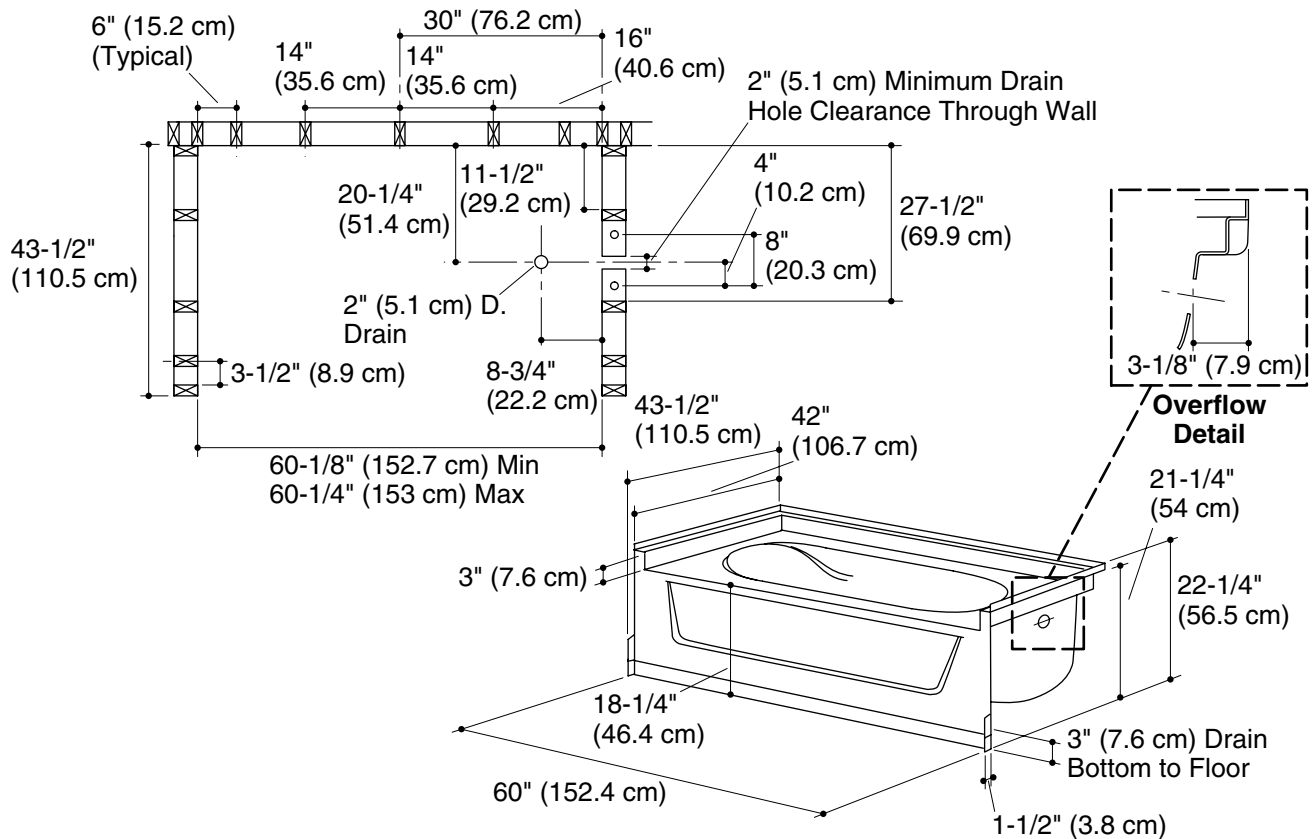
Installation Notes

Install this product according to the installation guide.

Size the drain hole clearance to fit the drain assembly that will be used.

End stud positioning is critical if apron nailing-in flanges are to be used.

Studs should be positioned roughly as shown.



Product Diagram