

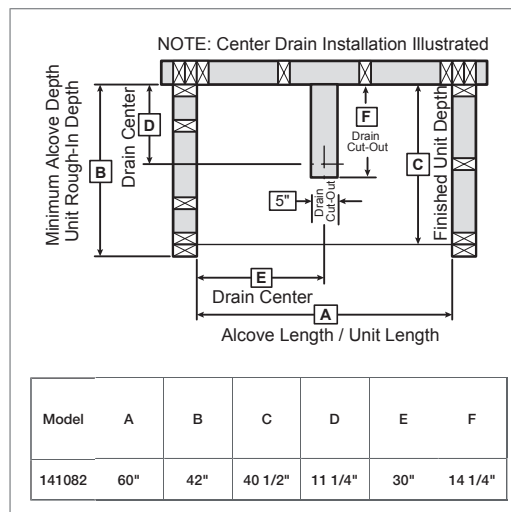
# TECHNICAL SPECIFICATIONS



## GT-4260

**MODEL NUMBER 141082**

DIMENSIONS: 60" x 40 1/2" x 23 1/4" Gelcoat



### STANDARD FEATURES

- 5 1/2" wrap around backsplash
- Integrated apron & tiling flange
- Deck for faucet
- 2" above-the-floor rough available
- Right, left or center drain
- Textured floor
- Alcove installation
- 15 3/4" deep sump
- Bottom bathing well : 41 1/2" L x 24" W

### UNIQUE FEATURES

- Above-the-floor rough (AFR)
- Tiling Flange

### OPTIONS

- In-line heater (factory-installed)
- Pump position opposite standard position
- Overflow not drilled

### SYSTEMS

- Homestead

### DOOR SELECTION

Combine with AKER's complete shower door offering visit [www.akerbymaax.com](http://www.akerbymaax.com)

### CERTIFICATIONS

AKER products adhere to one or more of the following certifications:



Project : .....

Contractor : .....

AKER Representative : ..... Tel : .....

Date : .....

# TECHNICAL SPECIFICATIONS

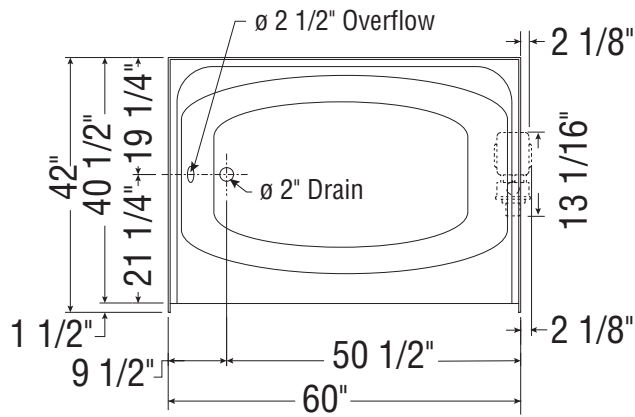


# GT-4260

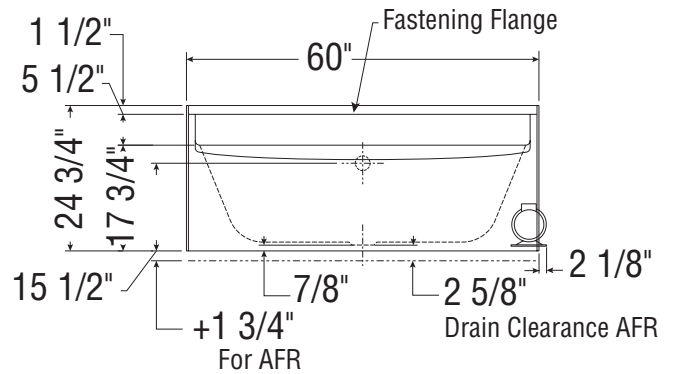
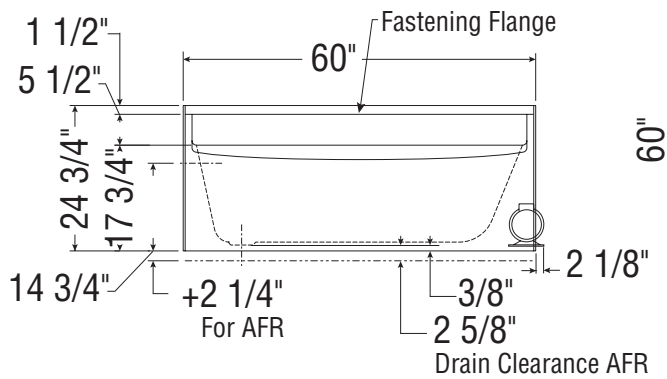
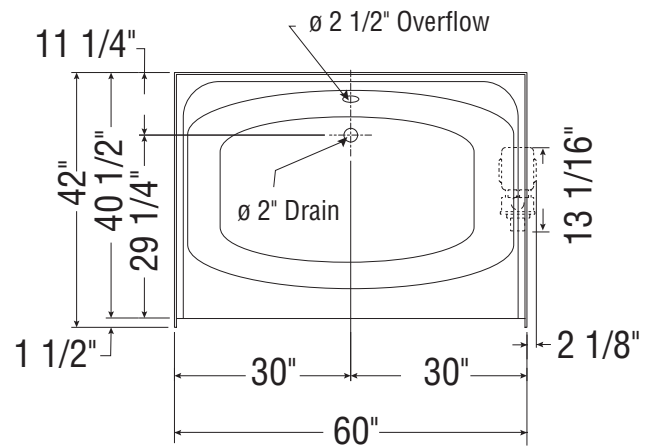
MODEL NUMBER 141082

## TECHNICAL DRAWINGS

GT-4260 R  
GT-4260 L (shown)



GT-4260 Center Drain



All dimensions are approximate. Structure measurements must be verified against the unit to ensure proper fit.