

STERLING®

A KOHLER COMPANY

ENSEMBLE™

Features

- Compression molded from our exclusive solid Vikrell® material
- Available with tile or curve wall surrounds
- Durable high-gloss finish
- 10-year consumer/3-year commercial limited warranty
- 48-1/4" (122.6 cm) x 34" (86.4 cm) x 5-1/2" (14 cm) receptor rough-in dimensions include nailing flange
- 48" (121.9 cm) x 34" (86.4 cm) x 4-1/2" (11.4 cm) receptor finished dimensions

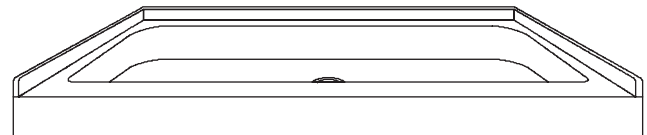
48" (121.9 cm) SHOWER RECEPTOR 72121100



Codes/Standards Applicable

Specified model meets or exceeds the following:

- ANSI Z124.1.2
- CSA B45
- ASTM E162
- ASTM E662



Colors/Finishes

- 0: White
- Other: Refer to Price Book for additional colors/finishes

Specified Model

Model	Description	Colors/Finishes	
72121100	48" (121.9 cm) shower receptor	<input type="checkbox"/> 0	<input type="checkbox"/> Other _____

ENSEMBLE™

Technical Information

Model	door maximum width	door maximum height
72121100	*44-5/8" (113.3 cm)	*NA
* Varies with alternative walls.		

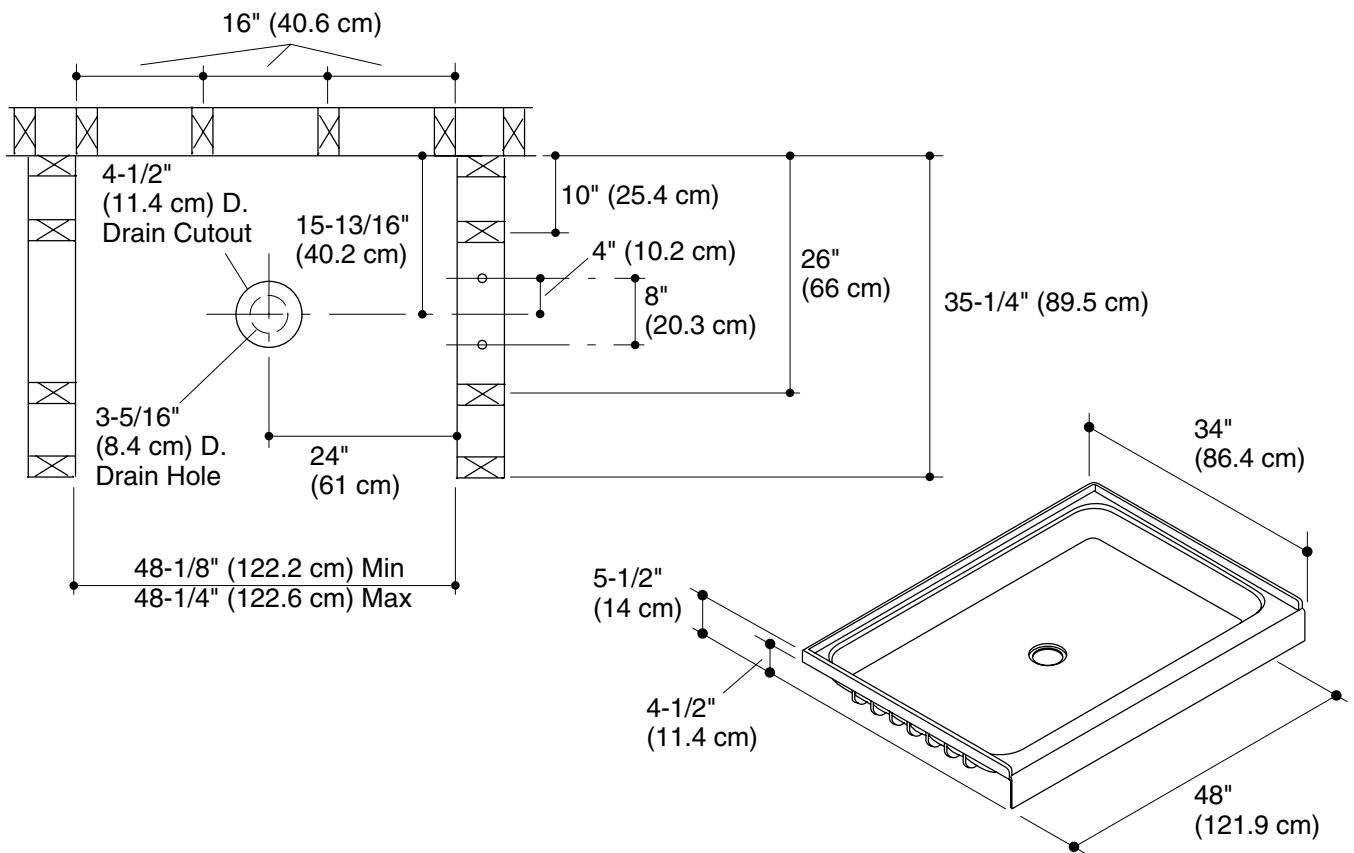
Installation Notes

Install this product according to the installation guide.

Size the drain cutout to fit the drain assembly that will be used.

Double studding is recommended for pivot shower door installations.

Studs should be positioned roughly as shown.



Product Diagram