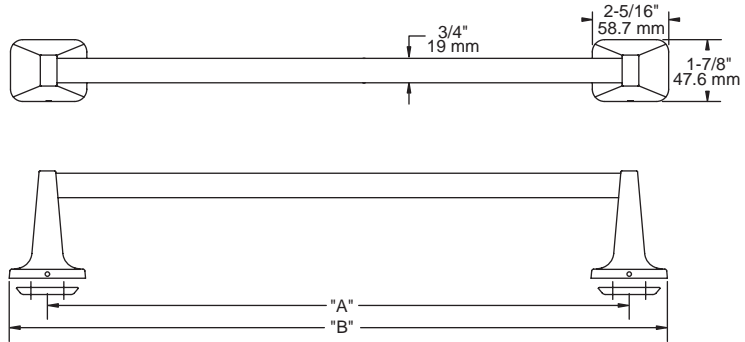
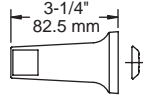


TECHNICAL DATA

Futura[®]

18 in., 24 in. & 30 in. TOWEL BAR



MATERIALS:

Posts - Zinc Die Cast
 Bars - Aluminum Tubing
 Wall Plate - Steel, Nickel Plated

INSTALLATION:

Mount wall plate bracket(s) per installation instructions with supplied fasteners. Slip product over wall plate(s) and tighten set screws until secure.

OPTIONAL FASTENER INFORMATION:

Wood blocking is preferable behind all wall surfaces. If wood blocking is not available, the following fasteners are suggested: Tile/Masonry - Plastic or Lead Anchors, Plaster/Drywall - Toggle Bolts.

SPECIFICATION:

Surface mounted towel bar shall be model _____
 (fill in model number) by Liberty Hardware Manufacturing Corporation.

LENGTH	18" (457 mm)	24" (610 mm)	30" (762 mm)
DIM "A"	17-5/8" (448 mm)	23-5/8" (600 mm)	29-5/8" (752 mm)
DIM "B"	19-15/16" (506 mm)	25-15/16" (659 mm)	31-15/16" (811 mm)