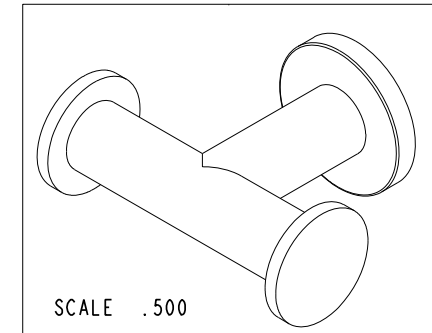
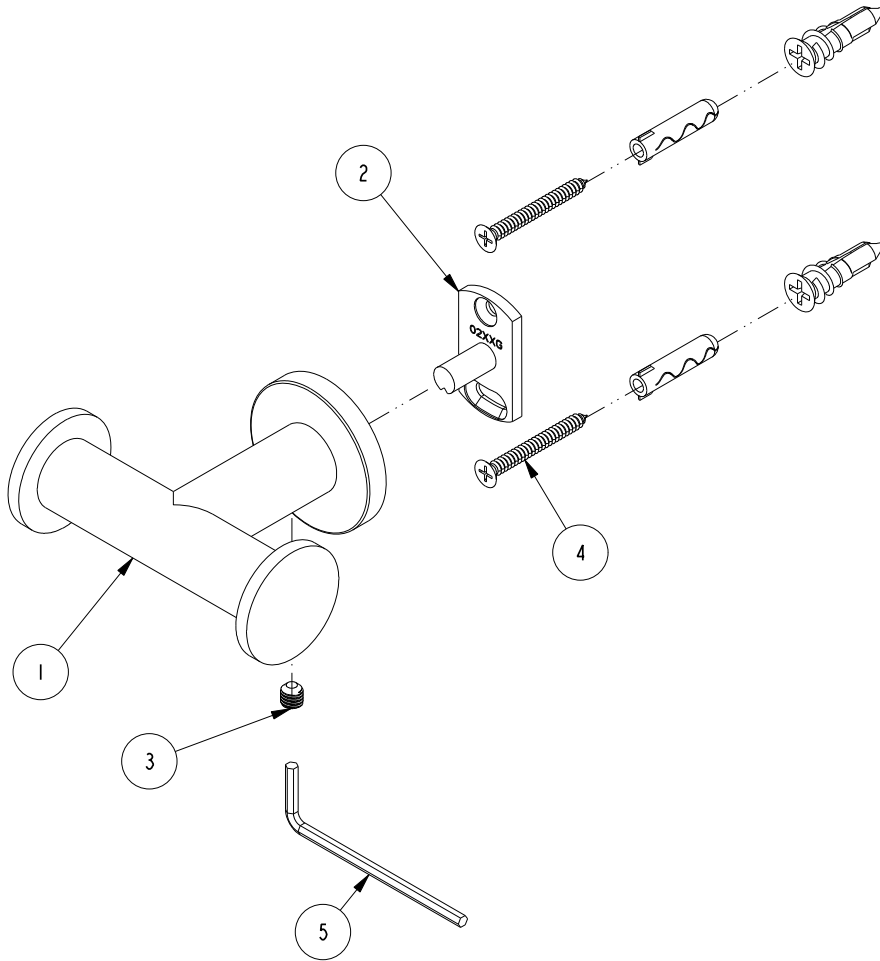


NOTES:

1. TO INSPECT ASSEMBLY, FOLLOW FIRST ARTICLE AND IN PROCESS INSPECTION SHEET.

**BILL OF MATERIAL (CURRENT LEVEL)**

ITEM	PT/ASSY	DESCRIPTION	TYPE	QTY.
1	7-684	DOUBLE HOOK POST AND FINIAL ASSY	ASSEMBLY	1
2	02XXG	MOUNTING BRACKET	PART	1
3	92031	SCRW, M6 X 1 X 6 SKT HD CUP PT SS	PART	1
4	1-206	HARDWARE PACK	ASSEMBLY	1
5	10615	HEX KEY, 3MM ALLOY STEEL	PART	1



-	C	EN-43001	10/25/21	R.S.
-	B	EN-4150	03/13/20	J.M.
-	A	EN-4032	12/02/19	R.S.
-	-	EN-0995-1	11/10/10	J.M.
ZONE	REV	DESCRIPTION	DATE	APPROVED

COPYRIGHT 2005 BRASSTECH, INC. THESE DRAWINGS AND THE DESIGNS DEPICTED HEREIN ARE THE PROPRIETARY PROPERTY OF BRASSTECH. ANY USE OR REPRODUCTION IS SUBJECT TO THE EXPRESS APPROVAL OF BRASSTECH. UNAUTHORIZED USE IS STRICTLY PROHIBITED. ALL RIGHTS RESERVED.

TESTING	-	-	-
ASSEMBLY	-	-	-
PLATING	-	-	-
POLISHING	-	NEXT ASSY	USED ON
MACHINING	-	APPLICATION	
TOOLING FIXTURE #	REMOVE ALL BURRS AND SHARP EDGES		

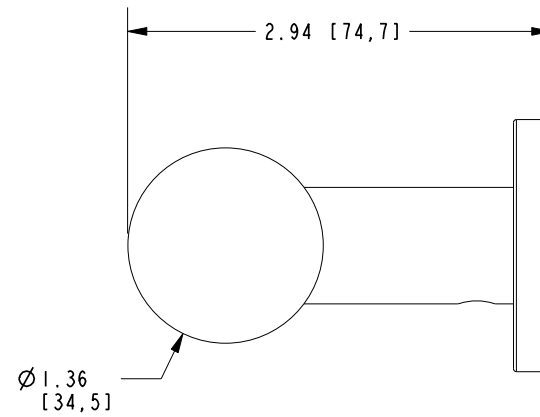
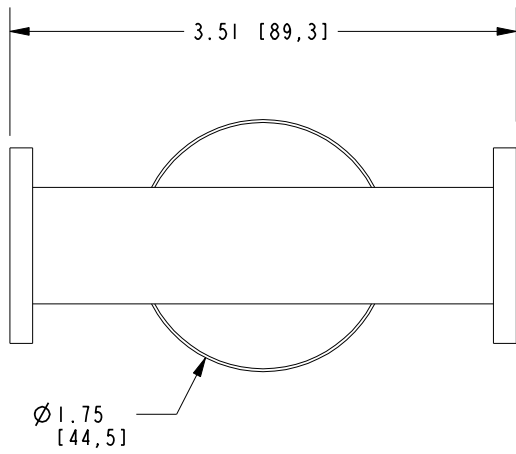
UNITS ARE: INCHES [MM]			
TOLERANCES ARE:			
FRACTIONS	DECIMALS	ANGLES	
±1/16"	.X ±.1 [2.5]	±1°	
	.XX ±.06 [1.5]		
(X.XXX) DENOTES CRITICAL DIMS. ALL THREADS ARE CRITICAL			
DRAWN	JINSON	10/25/21	
CHECKED	R.S.	10/25/21	
APPROVED	R.S.	10/25/21	

**BRASSTECH** 2001 CARNEGIE AVE. SANTA ANA, CA 92705 (949) 417-5207  
INCORPORATED

**DOUBLE HOOK**

DWG NO. **4610D** REV **C**

SCALE .500 REF. - SHEET 1 OF 2



<b>BRASSTECH</b>		2001 E. CARNEGIE AVE. SANTA ANA, CA 92705 (949) 417-5207	
DWG NO.	4610D	REV	C
SCALE	.750	REF.	-
		SHEET	2 OF 2