

SPECIFICATION SUBMITTAL

Highlights

- Pforever Warranty®
- Complete Collection with Coordinating Lavatory and Roman Tub Options
- Step-By-Step Installation Instructions

Code Compliance

Price Pfister products are designed and manufactured in compliance with the following standards and codes:

- IAPMO certified • ASME A112.18.1
- CSA B125 certified • ASSE 1016
- ANSI A117.1 (Lever handles only)

R89 Series
Catalina™
Collection

Shower Trim

- Lever Handle
- Quick Connect
- Trim Only, Valve Not Included

Finishes

- Tuscan Bronze
- Polished Chrome
- Brushed Nickel

R891EBC	R891EBK	R891EBY
x	x	x
x	x	x
x	x	x

Features

- Complete Collection with Coordinating Lavatory and Roman Tub Options
- Metal Lever Handles
- Quick Trim Installation—Attaches Without Tools, No Exposed Screws
- ADA Compliant
- Fits 0X8, JX8, TX8 and VB8 Valve Bodies
- Pforever Warranty®

R891EBC	R891EBK	R891EBY
x	x	x
x	x	x
x	x	x
x	x	x
x	x	x
x	x	x

- R891EBC
- R891EBK
- R891EBY

Valve only Trim. No showerhead and shower flange included.

For additional information, please contact your Price Pfister representative, or visit our website at www.pricepfister.com.

Project: _____

Contractor: _____

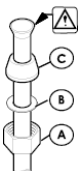
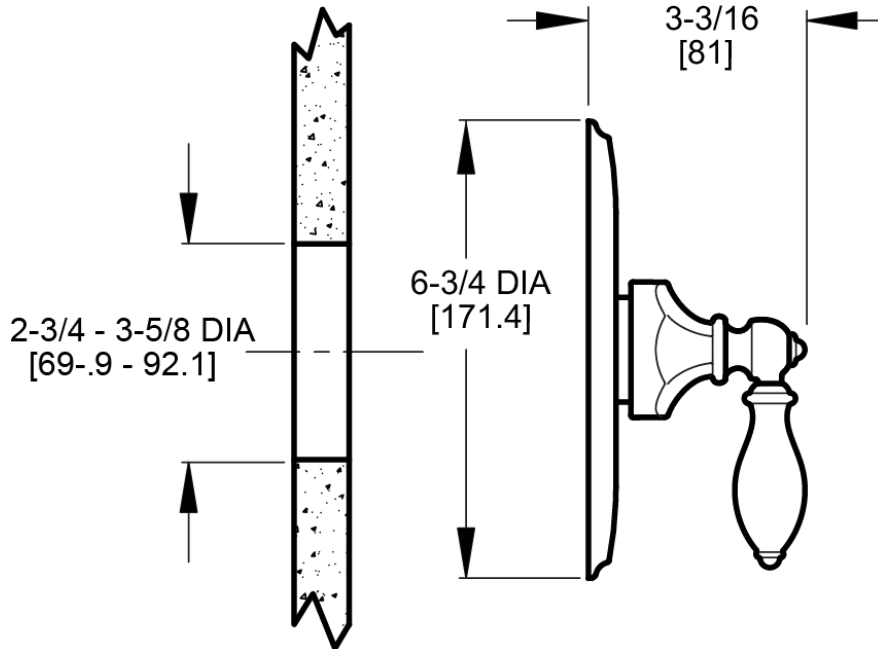
SS-R891-EB

1-800-PFAUCET www.pricepfister.com
19701 DaVinci, Lake Forest, CA 92610
02/26/12



INSTALLATION DIMENSIONS

R89 Series
Catalina
Collection
Shower Trim



CAUTION:
When using the compression fittings in this package, with these types of installations, the installer must flare or bead the water supply lines to avoid blow-out conditions. Avoiding such steps in the installation of the unit may result in water damage.

Connect inlet supply lines by assembling brass supply nut (A), friction ring (B) and cone washer (C) onto 3/8" O.D. straight copper tube. Bead or flare. Wrench tighten.

1-800-PFAUCET www.pricepfister.com
19701 DaVinci, Lake Forest, CA 92610
02/24/12

PfisterTM

SS-R891-EB