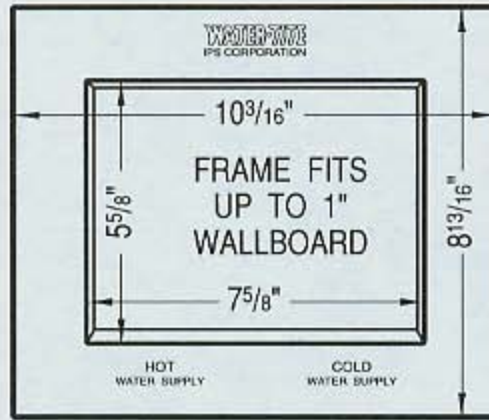
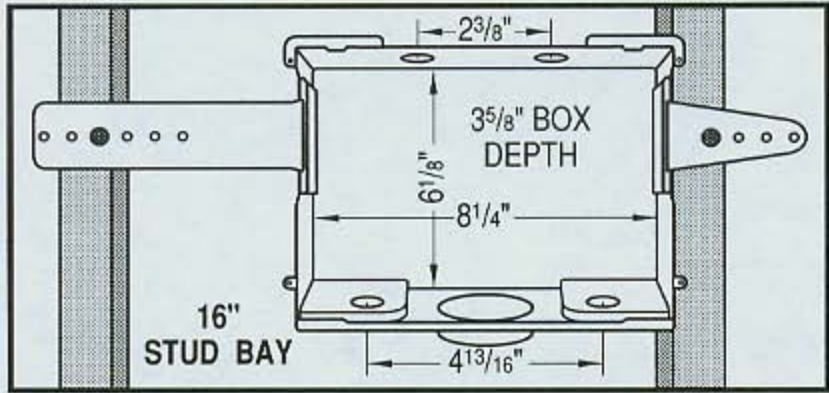
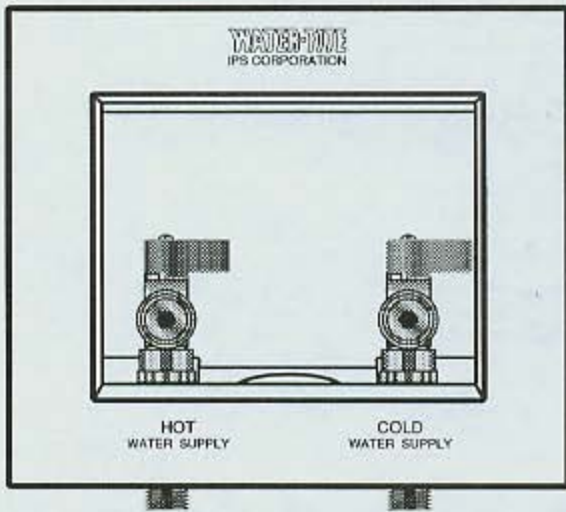


# SPECIFICATION SUBMITTAL SHEET

**WATER•TITE**

**Center Drain Washing Machine Outlet Box**



### SPECIFICATION

Furnish and install recessed washing machine box with 2" PVC/ABS drain coupling and knock-out test cap. Unit shall be Water•Tite product code checked below as manufactured by IPS Corporation in Collierville, TN, USA, with factory installed valve configuration as per corresponding valve option.

**✓ PROD. CODE**

**White Box**

82064
82066
82068
82070

**STANDARD PRODUCT VARIATIONS 10 / Carton**

Model	Factory Installed Valve Options—Standard Mounting
W 4700	2 chrome quarter turn adapter ball valves, 1/2" sweat connection
W 4701	2 chrome quarter turn adapter ball valves, 1/2" CPVC connection
W 4702	2 chrome quarter turn adapter ball valves, 1/2" PEX connection
W 4703	2 chrome quarter turn adapter ball valves, 1/2" Kitec connection

*See IPS Plumbing Catalog for a Complete Listing of Available Valve Options*

**✓ PROD. CODE**

**White Box**

82065
82067
82069
82071

**CONTRACTOR PACK\* VARIATIONS 20 / Carton**

Model	Factory Installed Valve Options—Standard Mounting
W 4700CP	2 chrome quarter turn adapter ball valves, 1/2" sweat connection
W 4701CP	2 chrome quarter turn adapter ball valves, 1/2" CPVC connection
W 4702CP	2 chrome quarter turn adapter ball valves, 1/2" PEX connection
W 4703CP	2 chrome quarter turn adapter ball valves, 1/2" Kitec connection

\*Frames packed separately from boxes and mounting flanges for protection and safe keeping until finishing stage.



Manufacturers of **WELD-ON** and **WATER•TITE** Products