

P  
DRAWING NUMBER S1070  
SIZE A  
SCALE: NONE  
DATE: 5-24-85  
APPROVED BY: TD  
CHECKED BY: TD  
DRAWN BY: CR  
1070



**JAY R. SMITH MFG. CO.**  
DIVISION OF SMITH INDUSTRIES, INC.  
POST OFFICE BOX 3237  
MONTGOMERY, ALABAMA 36109-0237 (USA)  
TEL: 334-277-8520 FAX: 334-272-7396 www.jrsmith.com



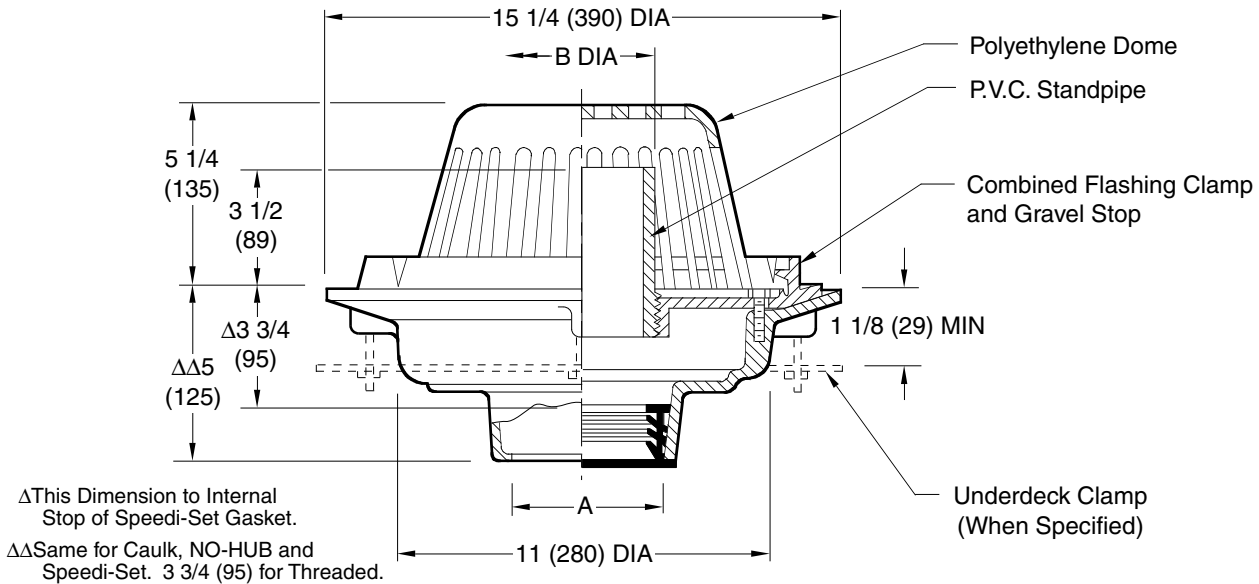
LOCATION

# SPECIAL PURPOSE ROOF DRAINS

## OVERFLOW STANDPIPE TYPE

**FUNCTION:** Used in flat roofs of any construction where a constant height of water is desired on the roof. It is also used on conventional roofs as a safety overflow, which receives water only when the build-up is greater than the setting of the standpipe. Standpipe type water dam can be cut to achieve various water depths on the roof.

Free Area  
102.5 SQ IN  
(661) SQ CM



A(Pipe Size)	02(50)	03(75)	04(100)	05(125)	06(150)	08(200)
B (DIA)	4(100)	4(100)	4(100)	6(150)	6(150)	8(200)

recommended deck opening	
with suffix -R	17 (430) DIA
less Suffix -R	14 (355) DIA

- Fig. 1070C . . . . CAULK OUTLET
- Fig. 1070Y . . . . NO-HUB OUTLET

**REGULARLY FURNISHED:**  
Duco Cast Iron Body, Flashing Clamp and Gravel Stop with Polyethylene Dome, and P.V.C. Standpipe.

- VARIATIONS:**
- Adjustable Extension(Specify Fig. 1045)
  - Expansion Joint (Specify Fig. 1710)
  - Extension (Specify Height) -E
  - "L" Shaped Underdeck Clamp -CL
  - L Speedi-Set Service Weight  
02(50), 03(75) & 04(100) sizes only
  - LXH Speedi-Set Extra Heavy  
02(50), 03(75) & 04(100) sizes only
  - Secondary Flashing Clamp -C2
  - Sump Receiver -R
  - Underdeck Clamp -C
  - Vandal Proof Dome -U
  - T Threaded Outlet

- OPTIONAL MATERIALS:**
- Aluminum Dome -AD
  - Bronze Standpipe -BZS
  - Cast Iron Dome -CID
  - Cast Iron Standpipe -CIS
  - Galvanized Cast Iron Body and Collar -G
  - Galvanized Cast Iron Dome -CIDG
  - Rough Bronze Dome -RBD

**NOTE:** Dimensions shown in parentheses are in millimeters.

REV.	DATE	DESCRIPTION	BY	CKD. BY	WEIGHT POUNDS	VOLUME CUBIC FEET	FIGURE NUMBER
							<b>1070</b>

WE CAN ASSUME NO RESPONSIBILITY FOR USE OF SUPERSEDED OR VOID DATA

DIMENSIONS ARE SUBJECT TO MANUFACTURERS TOLERANCE AND CHANGE WITHOUT NOTICE