

California Faucets®

9170

StyleDrain™

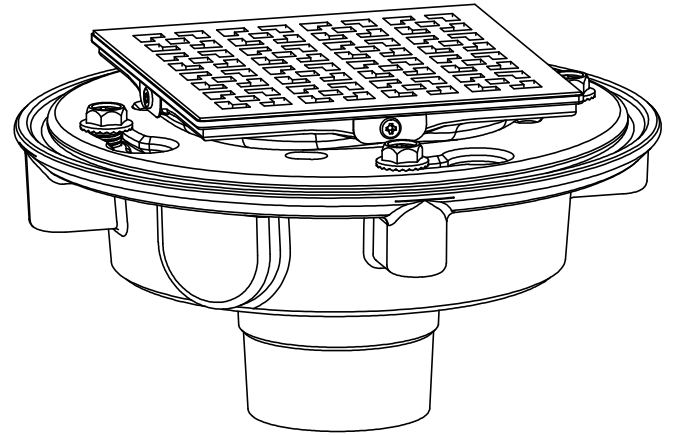
DELUXE DRAIN BODY, THROAT, & GRID, 2" NO-HUB

**Suggested Uses**

- Shower Drain
- Patio Drain
- Atrium Drain
- Other wetted area floor drains

**Features**

- All brass decorative grid drain with no visible surface screws
  - Surface is foot friendly - will not dish or bend
  - Square design for easy floor design and installation
  - Rugged cast iron construction body with protective coating
  - Reversible membrane collar with weep holes to accommodate a variety of tile installations
  - 2" No-Hub connection
  - Compatible with all StyleDrain Decorative Trim Grids
- For complete selection, see [www.calfaucets.com](http://www.calfaucets.com)



**Codes/Standards Applicable**

- Specified model meets or exceeds the following:
- ASME A112.18.2/CSA B125.2

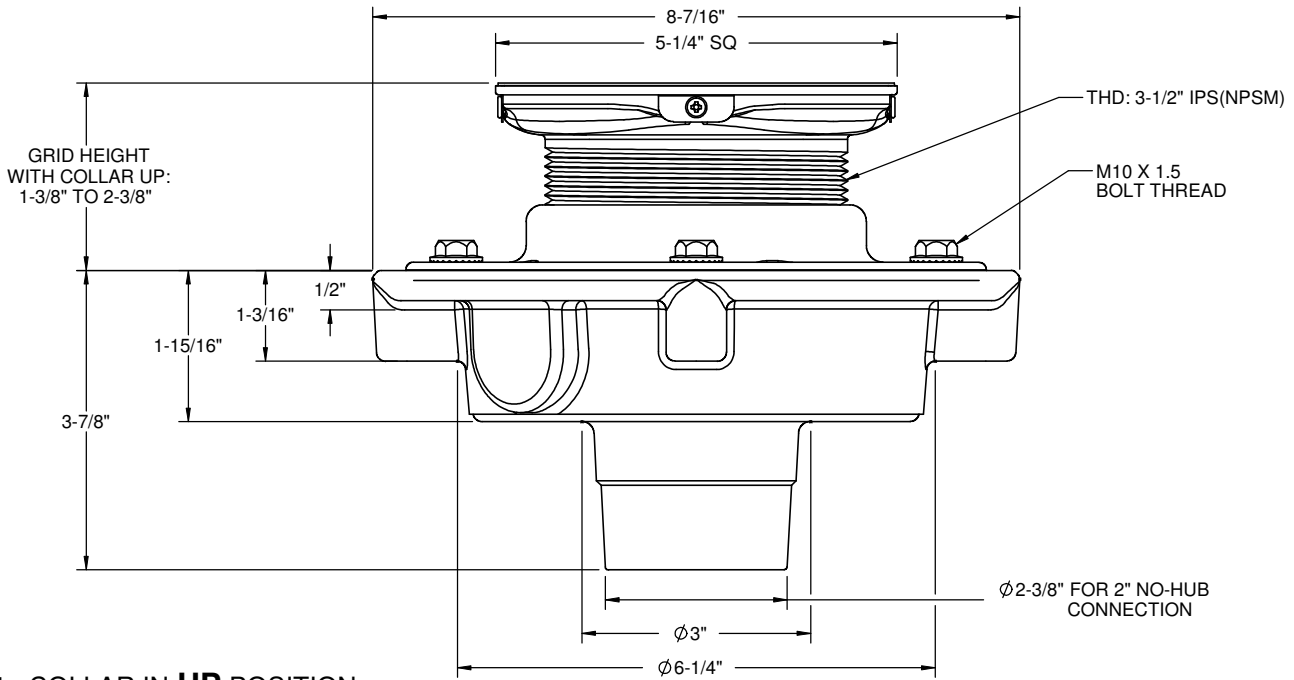
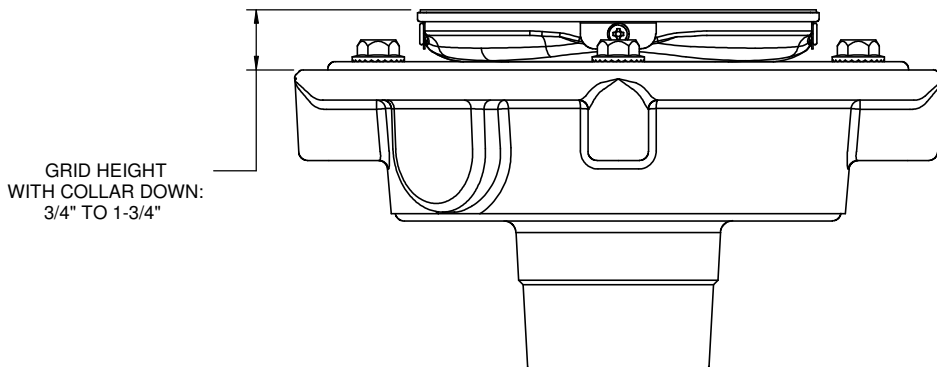


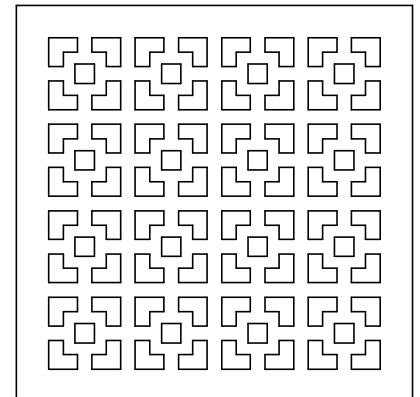
Figure 1. COLLAR IN UP POSITION

Figure 2. COLLAR IN DOWN POSITION



DIMENSIONS SHOWN TO NEAREST 1/16"

Figure 3. GRID PATTERN



OPEN AREA = 8.43 in<sup>2</sup>