



Cased Coils For Gas Furnaces



DRAEF

Featuring Industry Standard R-410A
Refrigerant

Airflow Capacity
600-1,900 CFM [283-897 L/s]

Table of Contents

Features & Benefits	3
Model Number Identification	4
Coil Specifications.....	5-6
Coil Dimensions and Weights	7
Accessories	8-9
Limited Warranty.....	12

Features & Benefits

- Durastar Indoor Furnace cased coils are designed for use with Durastar outdoor units and are available for vertical upflow or downflow, and horizontal left or horizontal right airflow. When matched with Durastar outdoor units, the coils provide a nominal capacity range from 18,000 BTU/HR [5.24 kW] to 60,000 BTU/HR [17.6 kW]
- Constructed of aluminum fins bonded to internally grooved aluminum tubing
- Coils are tested at the factory with an extensive refrigerant leak check
- Coils have copper sweat refrigerant connections
- Feature two sets of $\frac{3}{4}$ " [19.1 mm] N.P.T. Condensate drain connections for ease of connection
- Chatleff metering device connections, at inlet and outlet of TXV or EEV and equalizer connections (TXV only)
- Approved for system application with variety of Durastar outdoor units
- Condensate drain pan is constructed of high grade, heat resistant, corrosion free thermal-set material
- Compatible with Germicidal Light System (UV resistant)
- Bi-Directional airflow eliminates the need to switch any internal components from horizontal left to right
- Unique drain pan design maximizes application flexibility and condensate removal
- N-Coil design maximizes performance and minimizes height required at installation
- Coils are AHRI certified for system application with a variety of Durastar outdoor units

[] Designates Metric Conversions

Coils

<u>DR</u>	<u>A</u>	<u>E</u>	<u>F</u>	<u>24</u>	<u>14</u>	<u>S</u>	<u>T</u>	<u>A</u>	<u>A</u>	<u>M</u>	<u>C</u>
Brand	Refrigerant	Product Category	Type	Capacity	Width	Efficiency	Metering	Major Series	Coil Series	Orientation	Casing
DR - Durastar	A - R-410A	E - Evap Coil	F - Furnace Coil	24 - 2.0T 36 - 3.0T 48 - 4.0T 60 - 5.0T	14 - 14" 17 - 17.5" 21 - 21" 24 - 24.5"	S - Standard M - Mid	T - TXV	A - 1st Design	A - A-Coil N - N-Coil	M - MultiPosition	C - Cased

TXV MODELS BASE TIER
DRAEF2414STAAMC
DRAEF2417STANMC
DRAEF3617STANMC
DRAEF3621MTANMC
DRAEF3621STANMC
DRAEF4821STAAMC
DRAEF4821STANMC
DRAEF4824MTANMC
DRAEF4824STANMC
DRAEF6021STAAMC
DRAEF6024STANMC

TXV MODELS MID TIER
DRAEF2517STANMC
DRAEF3717STANMC
DRAEF4921STANMC
DRAEF6124STANMC

Coil Specifications/Airflow Pressure Drop

Coil Model DRAEF	Approx. Design Cooling Airflow Range CFM [L/s]	Face Area Sq. Ft. [m2]	Fins Per Inch/ Rows Deep	Width	Nominal Capacity		Wet Coil Static Pressure Drop (Inches W.C.) [kPa] @ CFM [L/s] – (Coil Only)													
							600 [283]	700 [330]	800 [378]	900 [425]	1000 [472]	1100 [519]	1200 [566]	1300 [614]	1400 [661]	1500 [708]	1600 [755]	1700 [802]	1800 [850]	1900 [897]
DRAEF2414S*	525/900 [248/425]	4.56 [0.42]	16/2	14	1.5	2	0.171 [42]	0.221 [55]	0.278 [69]	0.342 [85]	0.412 [103]	—	—	—	—	—	—	—	—	
DRAEF2417S/ DRAEF2517S	525/900 [248/425]	4.56 [0.42]	16/2	17			0.115 [29]	0.150 [37]	0.189 [47]	0.232 [58]	0.279 [69]	—	—	—	—	—	—	—	—	—
DRAEF3617S/ DRAEF3717S	800/1200 [378/566]	5.70 [0.52]	16/2	17	2.5		0.107 [27]	0.137 [34]	[42]	0.1710 [42]	0.2510 [297]	[74]	0.347 [86]	0.401 [100]	—	—	—	—	—	
DRAEF3621S	800/1200 [378/566]	5.70 [0.52]	16/2	21	2.5	3	0.107 [27]	0.137 [34]	0.171 [42]	0.209 [52]	0.251 [62]	0.297 [74]	0.347 [86]	0.401 [100]	—	—	—	—	—	
DRAEF3621M	800/1300 [378/614]	8.55 [0.79]	16/2				0.062 [15]	0.086 [21]	0.112 [28]	0.140 [35]	0.170 [42]	0.202 [50]	0.236 [59]	0.272 [68]	0.309 [77]	—	—	—	—	—
DRAEF4821S/ DRAEF4921S	1200/1600 [566/755]	8.55 [0.79]	16/2		3.5	4	0.062 [15]	0.086 [21]	0.112 [28]	0.140 [35]	0.170 [42]	0.202 [50]	0.236 [59]	0.272 [68]	0.309 [77]	0.349 [87]	0.391 [97]	0.434 [108]	0.480 [119]	—
DRAEF4821S*	1200/1600 [566/755]	7.60 [0.70]	13/3	0.041 [10]			0.060 [15]	0.081 [20]	0.105 [26]	0.130 [32]	0.157 [39]	0.186 [46]	0.217 [54]	0.250 [62]	0.285 [71]	0.322 [80]	0.361 [90]	0.402 [100]	—	
DRAEF6021ST*	1400/1800 [661/850]	7.60 [0.70]	13/3	5			0.000 [0]	0.007 [2]	0.035 [9]	0.063 [16]	0.091 [23]	0.119 [30]	0.147 [37]	0.175 [44]	0.203 [50]	0.231 [57]	0.259 [64]	0.287 [71]	0.315 [78]	0.343 [85]
DRAEF4824S	1200/1600 [566/755]	8.55 [0.79]	16/2	24	3.5	4	0.062 [15]	0.086 [21]	0.112 [28]	0.140 [35]	0.170 [42]	0.202 [50]	0.236 [59]	0.272 [68]	0.309 [77]	0.349 [87]	0.391 [97]	0.434 [108]	0.480 [119]	—
DRAEF4824M	1200/1600 [566/755]	9.98 [0.93]	13/3				0.032 [8]	0.049 [12]	0.069 [17]	0.091 [23]	0.114 [28]	0.140 [35]	0.167 [42]	0.197 [49]	0.228 [57]	0.262 [65]	0.297 [74]	0.334 [83]	0.374 [93]	—
DRAEF6024S/ DRAEF6124S	1400/1600 [661/755]	9.98 [0.93]	13/3		5	0.032 [8]	0.049 [12]	0.069 [17]	0.091 [23]	0.114 [28]	0.140 [35]	0.167 [42]	0.197 [49]	0.228 [57]	0.262 [65]	0.297 [74]	0.334 [83]	0.374 [93]	0.415 [103]	

[*] Designates Metric Conversions

Coil Specifications/Airflow Pressure Drop (Con't.)

Coil Model DRAEF	Approx. Design Cooling Airflow Range CFM [L/s]	Face Area Sq. Ft. [m ²]	Fins Per Inch/ Rows Deep	Width	Nominal Capacity		Dry Coil Static Pressure Drop (Inches W.C.) [kPa] @ CFM [L/s] – (Coil Only)													
							600 [283]	700 [330]	800 [378]	900 [425]	1000 [472]	1100 [519]	1200 [566]	1300 [614]	1400 [661]	1500 [708]	1600 [755]	1700 [802]	1800 [850]	1900 [897]
DRAEF2414S*	600/1200 [283/566]	4.56 [0.42]	16/2	14	1.5	2	0.121 [30]	0.160 [40]	0.205 [51]	0.256 [64]	0.312 [78]	0.373 [93]	0.441 [110]	0.514 [128]	—	—	—	—	—	
DRAEF2417S/ DRAEF2517S	600/1200 [283/566]	4.56 [0.42]	16/2	17			0.097 [24]	0.128 [32]	0.163 [41]	0.202 [50]	0.245 [61]	0.292 [73]	0.343 [85]	0.398 [99]	—	—	—	—	—	—
DRAEF3617S/ DRAEF3717S	600/1300 [283/614]	5.70 [0.52]	16/2	21	2.5	3	0.112 [28]	0.144 [36]	0.180 [45]	0.220 [55]	0.264 [66]	0.312 [78]	0.364 [91]	0.420 [105]	0.480 [119]	—	—	—	—	
DRAEF3621S	600/1400 [283/661]	5.70 [0.52]	16/2				0.112 [28]	0.144 [36]	0.180 [45]	0.220 [55]	0.264 [66]	0.312 [78]	0.364 [91]	0.420 [105]	0.480 [119]	—	—	—	—	—
DRAEF3621M	600/1900 [283/897]	8.55 [0.79]	16/2	21	3.5	4	0.039 [10]	0.056 [14]	0.075 [19]	0.095 [24]	0.117 [29]	0.141 [35]	0.166 [41]	0.193 [48]	0.222 [55]	0.252 [63]	0.284 [71]	0.318 [79]	0.353 [88]	0.391 [97]
DRAEF4821S/ DRAEF4921S	600/1900 [283/897]	8.55 [0.79]	16/2				0.039 [10]	0.056 [14]	0.075 [19]	0.095 [24]	0.117 [29]	0.141 [35]	0.166 [41]	0.193 [48]	0.222 [55]	0.252 [63]	0.284 [71]	0.318 [79]	0.353 [88]	0.391 [97]
DRAEF4821S*	600/1900 [283/897]	7.60 [0.70]	13/3				0.043 [11]	0.053 [13]	0.066 [16]	0.080 [20]	0.096 [24]	0.115 [29]	0.135 [34]	0.158 [39]	0.182 [45]	0.208 [52]	0.237 [59]	0.267 [66]	0.299 [75]	0.334 [83]
DRAEF6021ST*	600/1900 [283/897]	7.60 [0.70]	13/3	24	5	4	0.000 [0]	0.000 [0]	0.016 [4]	0.040 [10]	0.065 [16]	0.089 [22]	0.113 [28]	0.137 [34]	0.162 [40]	0.186 [46]	0.210 [52]	0.234 [58]	0.259 [64]	0.283 [70]
DRAEF4824S	600/1900 [283/897]	8.55 [0.79]	16/2				0.039 [10]	0.056 [14]	0.075 [19]	0.095 [24]	0.117 [29]	0.141 [35]	0.166 [41]	0.193 [48]	0.222 [55]	0.252 [63]	0.284 [71]	0.318 [79]	0.353 [88]	0.391 [97]
DRAEF4824M	600/1900 [283/897]	9.98 [0.93]	13/3				0.023 [6]	0.038 [10]	0.055 [14]	0.074 [18]	0.095 [24]	0.119 [29]	0.144 [36]	0.171 [42]	0.200 [50]	0.231 [58]	0.264 [66]	0.300 [75]	0.337 [84]	0.376 [94]
DRAEF6024S/ DRAEF6124S	600/1900 [283/897]	9.98 [0.93]	13/3	24	5	4	0.023 [6]	0.038 [10]	0.055 [14]	0.074 [18]	0.095 [24]	0.119 [29]	0.144 [36]	0.171 [42]	0.200 [50]	0.231 [58]	0.264 [66]	0.300 [75]	0.337 [84]	0.376 [94]

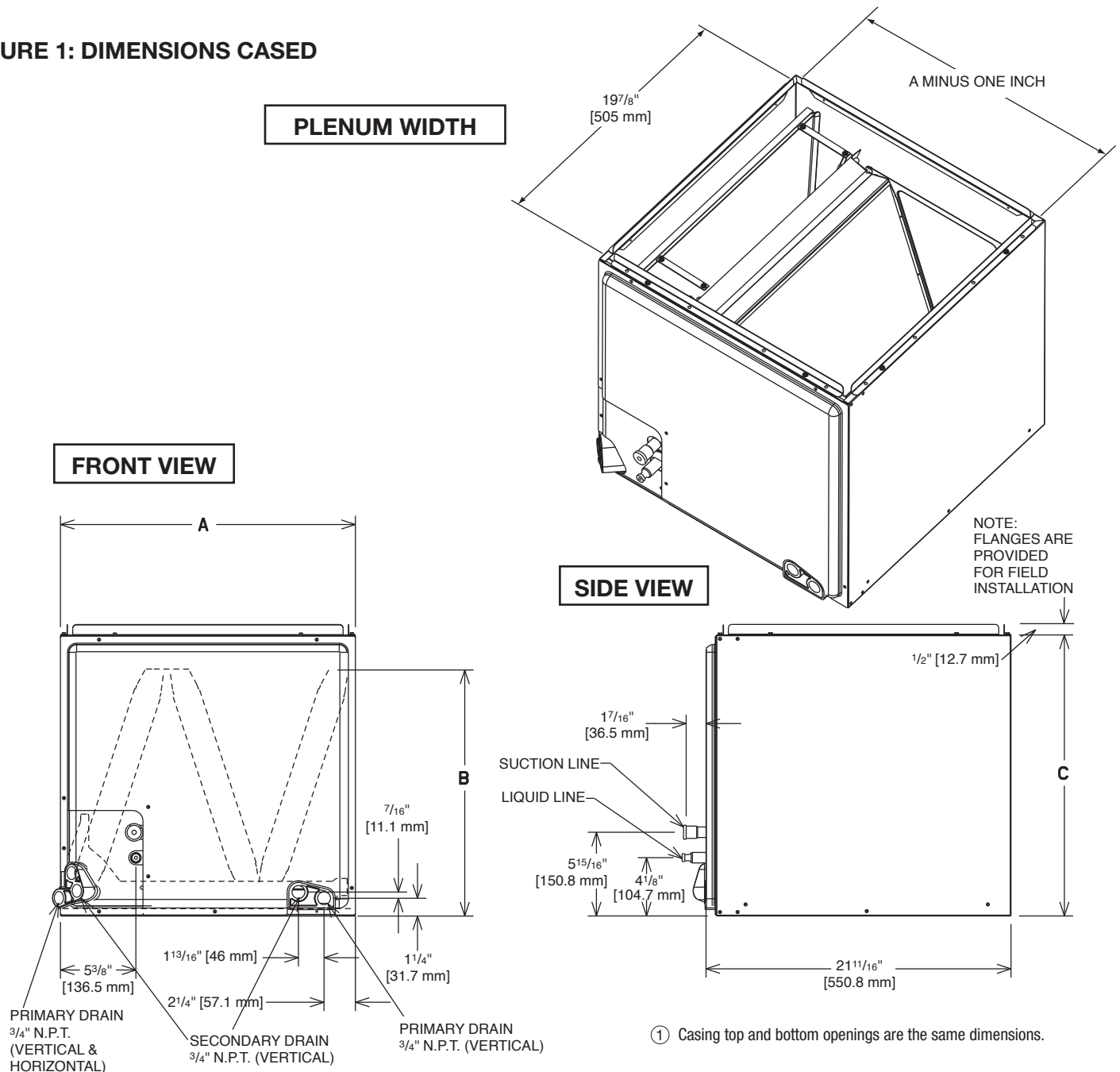
[*] Designates Metric Conversions

Cased Coil Dimensions and Weights

Coil Model DRAEF	Connections I.D.		Cased Coil Dimensions (in) [mm]			Weight	
	Sweat (in.) [mm]		A	B	C	Coil Weight (lbs.) [Kg.]	Shipping Weight (lbs.) [Kg.]
	Liquid	Suction					
2414S*	3/8 [9.53]	3/4 [19.05]	14 [356]	20 ¹ / ₁₆ [535]	23 ³ / ₁₆ [584]	45 [20]	49 [22]
2417S/2517S	3/8 [9.53]	3/4 [19.05]	17 ¹ / ₂ [445]	14 ¹ / ₂ [368]	20 [508]	43 [19]	48 [21]
3617S/3717S	3/8 [9.53]	3/4 [19.05]	17 ¹ / ₂ [445]	17 [454]	20 [508]	49 [22]	54 [24]
3621S	3/8 [9.53]	3/4 [19.05]	21 [533]	17 ¹ / ₂ [445]	20 [508]	51 [23]	57 [25]
3621M/4821S/4921S	3/8 [9.53]	7/8 [22.23]	21 [533]	25 [657]	28 [711]	71 [32]	78 [35]
4824S	3/8 [9.53]	7/8 [22.23]	24 ¹ / ₂ [622]	25 [645]	32 [812]	83 [38]	93 [42]
4824M/6024S/6124S	3/8 [9.53]	7/8 [22.23]	24 ¹ / ₂ [622]	30 ¹ / ₄ [768]	32 [812]	100 [45]	110 [50]
3621M*/4821S*/6021S*	3/8 [9.53]	7/8 [22.23]	21 [533]	33 [838]	34 ¹ / ₂ [876]	76 [34]	86 [37]

* = "A" Coil

FIGURE 1: DIMENSIONS CASED



[] Designates Metric Conversions

Coil Application

Coils can be matched to heating products as listed in table below.

Coil Model DRAEF	Furnace Width (In.) (mm)	
	Oil*	Gas
2414S 2417S/2517S 3617S/3717S	—	14 [356]
2417S/2517S 3617S/3717S	17 [431]	17½ [444]
		14 [356]
3621S/3621M / 4821S/4921S/6021S	21 [533]	21 [533]
		17½ [444]
4824S/4824M/6024S 6124S	24½ [622]	24½ [622]
		21 [533]

*Due to the proximity of the drain pan to the high temperature oil furnace drum, horizontal left application is NOT permitted on all oil furnaces.

Accessories

- **PLENUM ADAPTER ACCESSORY
RXBA-AE**

This plenum adapter accessory is for use with the 24½" wide cased indoor cooling and heat pump coils. This allows a 24½" wide cased coil to be installed on a 28" wide oil furnace. This is a field-installed accessory only.

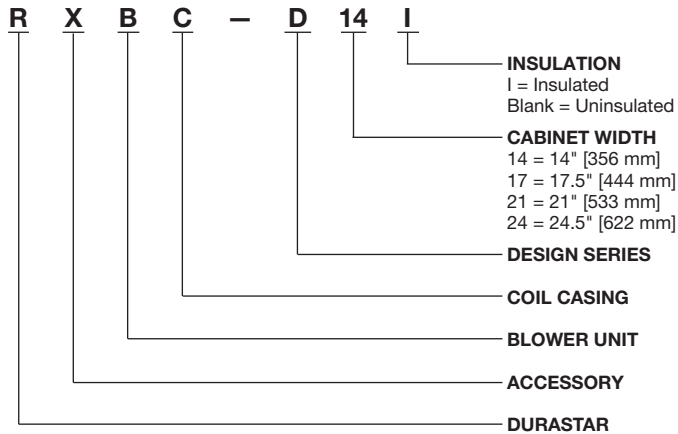
- **RXBA-AC (Upflow/Horizontal)**

These plenum adapter accessories are for use when a cooling coil is matched with a gas furnace of one smaller size.

- **HORIZONTAL ADAPTER KIT RXHH (See Figure 2)**

This horizontal adapter kit is used to convert a upflow or downflow coil (*VUA) for a horizontal application. See Table 4 to order the proper horizontal adapter kit.

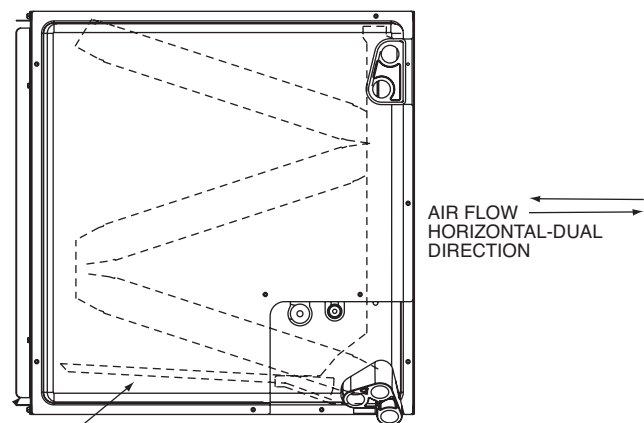
- **INDOOR COIL CASING- RXBC (See Table 5)**



[] Designates Metric Conversions

Accessories (Con't.)

FIGURE 2: HORIZONTAL ADAPTER KIT ILLUSTRATION



HORIZONTAL ADAPTER KIT (RXHH-)

- **UNCASED COIL ADAPTER KIT
RXBA- (See Figure 3 & 4)**

This uncased coil adapter kit is used to adapt the coil to a furnace or ductwork. See Table 6 to order the proper adapter kit. Each kit contains a quantity of 20 adapters.

FIGURE 3: UNCASED COIL ADAPTER KIT ILLUSTRATION

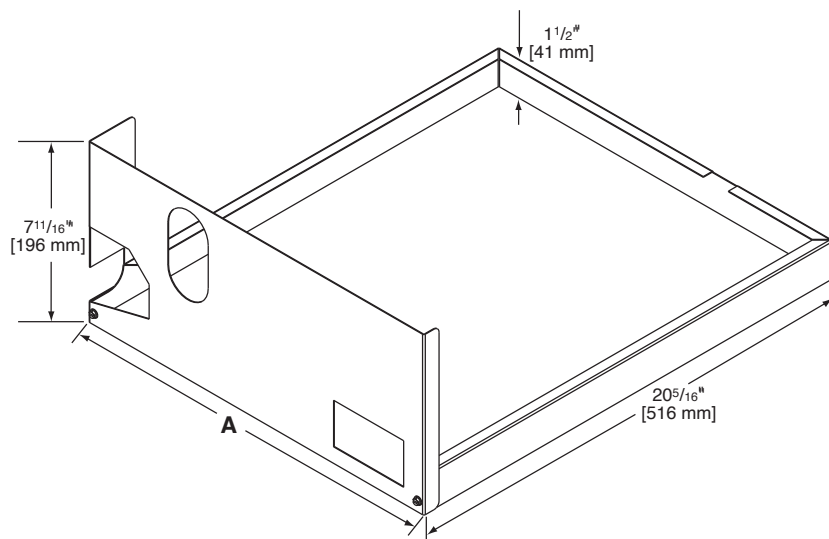
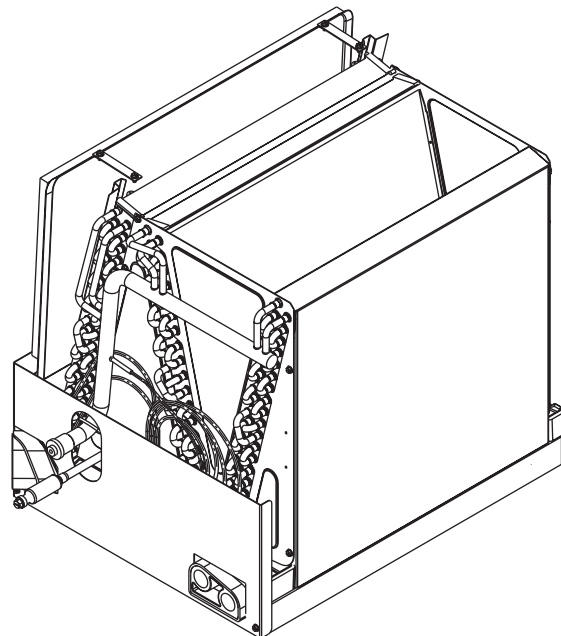


FIGURE 4: UNCASED COIL ADAPTER KIT ASSEMBLED



Note: Sliding the coil into the coil rail before attaching coil rack front.

Unit Dimensions and Weights

RXBC Indoor Coil Casings

Model Number	Width (in.) [mm]	Height (in.) [mm]	Depth (in.) [mm]	Unit Weight		Supply Air/Return Air Openings	
				Weight (lbs.) [Kg.]	Ship. Wt. (lbs.) [Kg.]	Width (in.) [mm]	Depth (in.) [mm]
RXBC-D14AI	14 [356]	23 ⁷ / ₁₆ [589]	21 ⁵ / ₈ [549]	19 [9]	23 [10]	13 [330]	19 ³¹ / ₃₂ [508]
RXBC-D17AI	17 ¹ / ₂ [445]	20 [508]		18 [8]	23 [10]	16 ¹ / ₂ [419]	
RXBC-D21AI	21 [533]	20 [508]		20 [9]	26 [12]	20 [508]	
RXBC-D21BI	21 [533]	28 [711]		27 [12]	36 [17]	20 [508]	
RXBC-D24AI	24 ¹ / ₂ [622]	32 ¹ / ₂ [826]		34 [16]	44 [20]	23 ¹ / ₂ [597]	

[] Designates Metric Conversions



GENERAL TERMS OF LIMITED WARRANTY*

Durastar will furnish a replacement for any part of this product which fails in normal use and service within the applicable period stated, in accordance with the terms of the limited warranty.

Parts Five (5) Years

***For complete details of the Limited and Conditional Warranties, including applicable terms and conditions, contact your local contractor or the Manufacturer for a copy of the product warranty certificate.**

Before proceeding with installation, refer to installation instructions packaged with each model, as well as complying with all Federal, State, Provincial, and Local codes, regulations, and practices.



"In keeping with its policy of continuous progress and product improvement, Durastar reserves the right to make changes without notice."