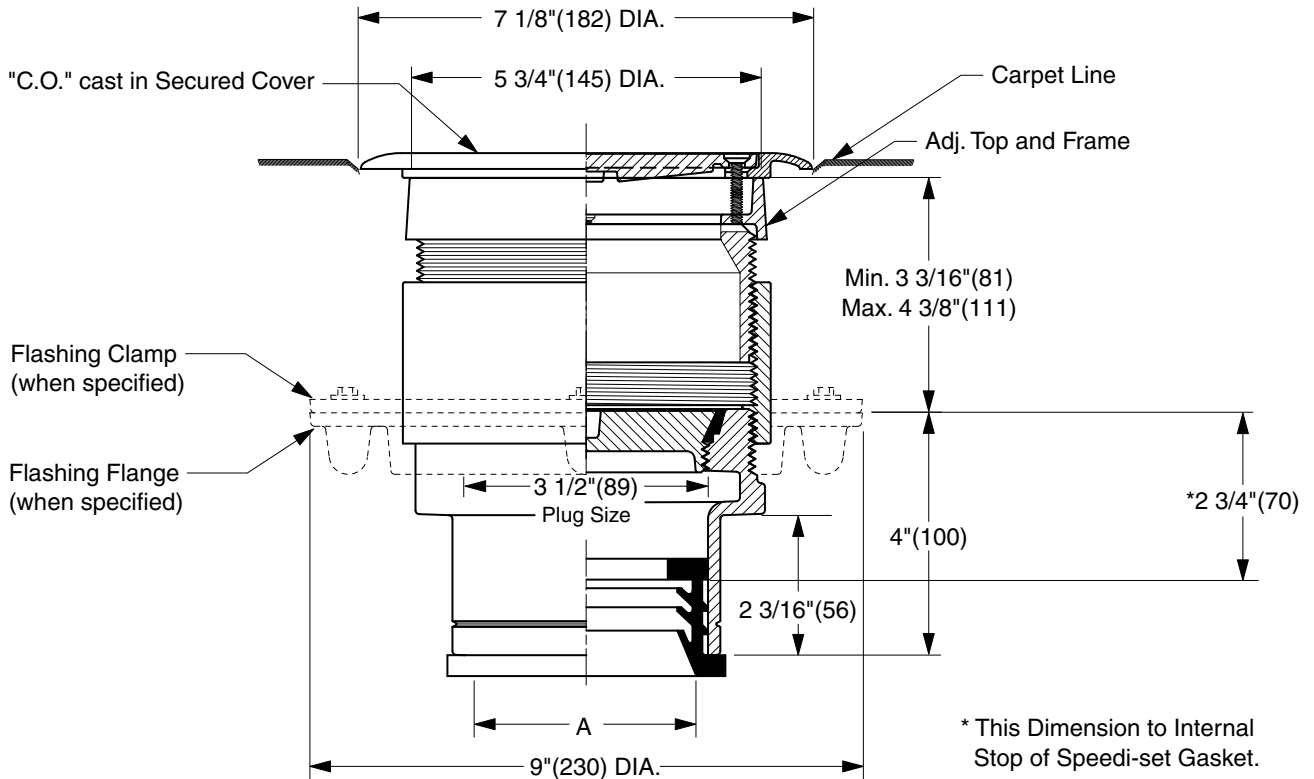


FLOOR CLEANOUTS WITH "TWIS-TO-FLOOR®" ADJUSTABLE TOPS AND CARPET CLAMPING FRAME

ROUND NICKEL BRONZE TOP

FUNCTION: For use in carpeted floors bearing foot and medium load wheeled traffic. Allows for easy carpet level adjustment.



TWIS-TO-FLOOR® ADJUSTMENT

SPEEDI-SET OUTLET ▲

"A" (Pipe Size) = 02(50), 03(75) or 04(100)

- | | |
|--|---|
| <ul style="list-style-type: none"> <input type="checkbox"/> Fig. 4031L (-X).....Gasket Seal - ABS Plug <input type="checkbox"/> Fig. 4032L (-X).....Gasket Seal - Bronze Plug <input type="checkbox"/> Fig. 4033L (-X).....Taper Thread - Bronze Plug <input type="checkbox"/> Fig. 4034L (-X).....Taper Thread - ABS Plug | <p>(Twis-to-Floor® design shown with gasketed plug.)</p> <p>▲ Available in Extra Heavy, Service Weight or NO-HUB.</p> |
|--|---|

REGULARLY FURNISHED:

Duco Cast Iron Cleanout with Round Adjustable Scoriated Secured Nickel Bronze Top and Carpet Clamping Frame. Closure Plug Type as Indicated By Figure Number Selected.

VARIATIONS:

- Flashing Flange -F
- Flange with Flashing Clamp -F-C
- Carpet Marker Type -Y
- Vandal Proof Top -U
- Wide Flange (DX)

OPTIONAL MATERIALS:

- Galvanized Cast Iron -G
- Polished Bronze Top -PB

NOTE: Dimensions shown in parentheses are in millimeters.

DRAWING NUMBER: S4031 (-X)
 SIZE: A
 SCALE: NONE
 DATE: 04/13/89
 APPROVED BY: TD
 CHECKED BY: CR
 DRAWN BY: EMB
4031 (-X) SERIES
 DIMENSIONS ARE SUBJECT TO MANUFACTURERS TOLERANCE AND CHANGE WITHOUT NOTICE

REV.	DATE	DESCRIPTION	BY	CKD. BY	WEIGHT POUNDS	VOLUME CUBIC FEET	FIGURE NUMBER
							4031 (-X) SERIES

DRAWING NUMBER
S4031(-X)BS

SIZE
A

SCALE:
NONE

DATE:
7-26-06

APPROVED BY:
CEL

CHECKED BY:
CL

DRAWN BY:
TBW

4033 (-X)

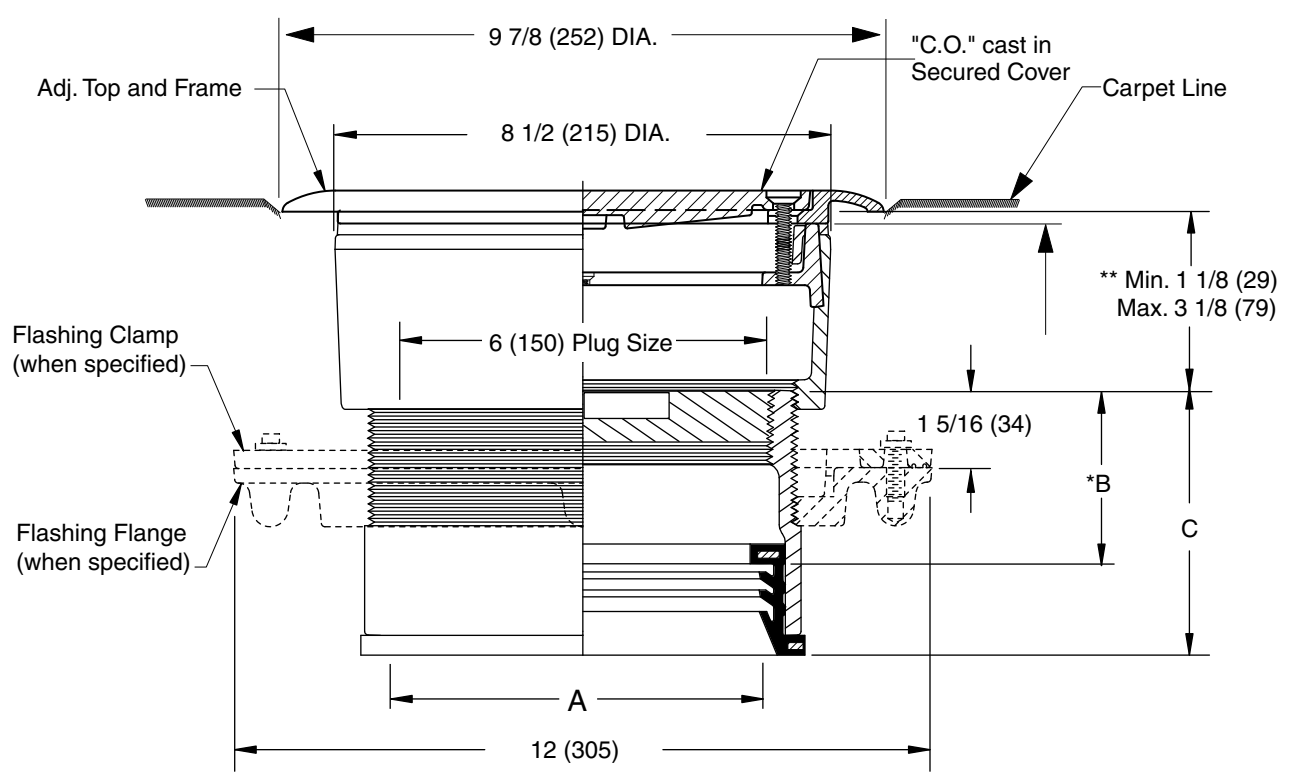
FIGURE NUMBER

WE CAN ASSUME NO RESPONSIBILITY FOR USE OF SUPERSEDED OR VOID DATA

FLOOR CLEANOUTS WITH "TWIS-TO-FLOOR®" ADJUSTABLE TOP AND CARPET CLAMPING FRAME

ROUND NICKEL BRONZE TOP

FUNCTION: For use in carpeted floors bearing foot and medium load wheeled traffic. Allows for easy carpet level adjustment.



SPEEDI-SET OUTLET ▲
 "A" (Pipe Size) = 06(150) & 08(200)

A SIZE	B	C
06(150)	*3(76)	4 9/16(117)
08(200)	*3 1/4(83)	4 13/16(121)

▲ Available in "L" Service Weight, "LXH" Extra Heavy or "LPVC" PVC or ABS. "LPVC" applicable to 06(150) Pipe Size only.
 * This Dimension to Internal Stop of Speedi-Set Gasket.
 ** When Flange-F is specified Min. 1 1/8 (29) becomes 1 5/8 (41)

"TWIS-TO-FLOOR®" ADJUSTMENT SPEEDI-SET OUTLET ▲

Fig. 4033L (-X).....Taper Thread - Bronze Plug

REGULARLY FURNISHED:
 Duco Cast Iron Cleanout with Taper Thread Bronze Plug and Round Adjustable Scoriated Secured Nickel Bronze Top and Carpet Clamping Frame.

VARIATIONS:
 Flashing Flange -F
 Flange with Flashing Clamp -F-C
 Vandal Proof Top -U

OPTIONAL MATERIALS:
 Galvanized Cast Iron -G
 Polished Bronze Top -PB

NOTE: Dimensions shown in parentheses are in millimeters.

REV.	DATE	DESCRIPTION	BY	CKD. BY

WEIGHT POUNDS
VOLUME CUBIC FEET

FIGURE NUMBER
4033 (-X)