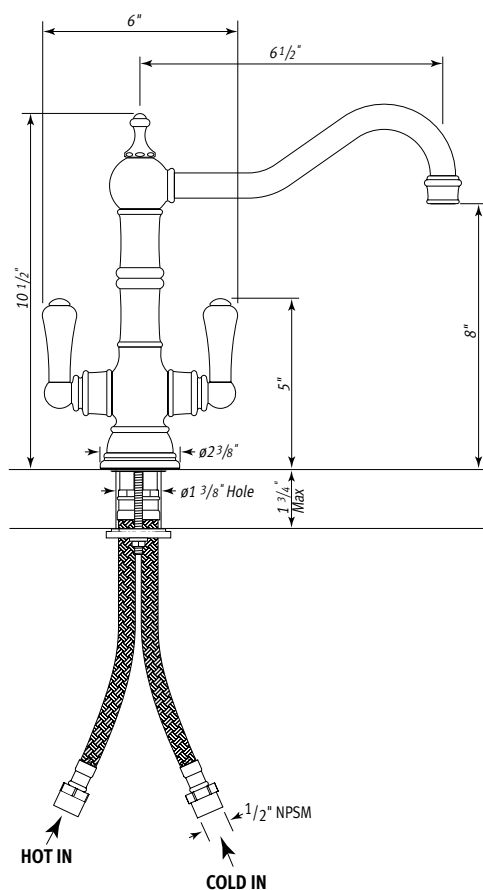


Specification U.4759

Mono Bar Faucet

- 1/4 turn ceramic disc flow control. ● vernier insert for accurate handle alignment.
- unique handle construction with integral bearing ring. ● flexible connectors for easier installation.



Temp Range:

min 34F°
max 185F°

Recommended working pressure:

min 15 psi
max 75psi

Specification U.4759

Mono Bar Faucet

- 1/4 turn ceramic disc flow control. ● vernier insert for accurate handle alignment.
- unique handle construction with integral bearing ring. ● flexible connectors for easier installation.

Where * Indicated Specify Color.

