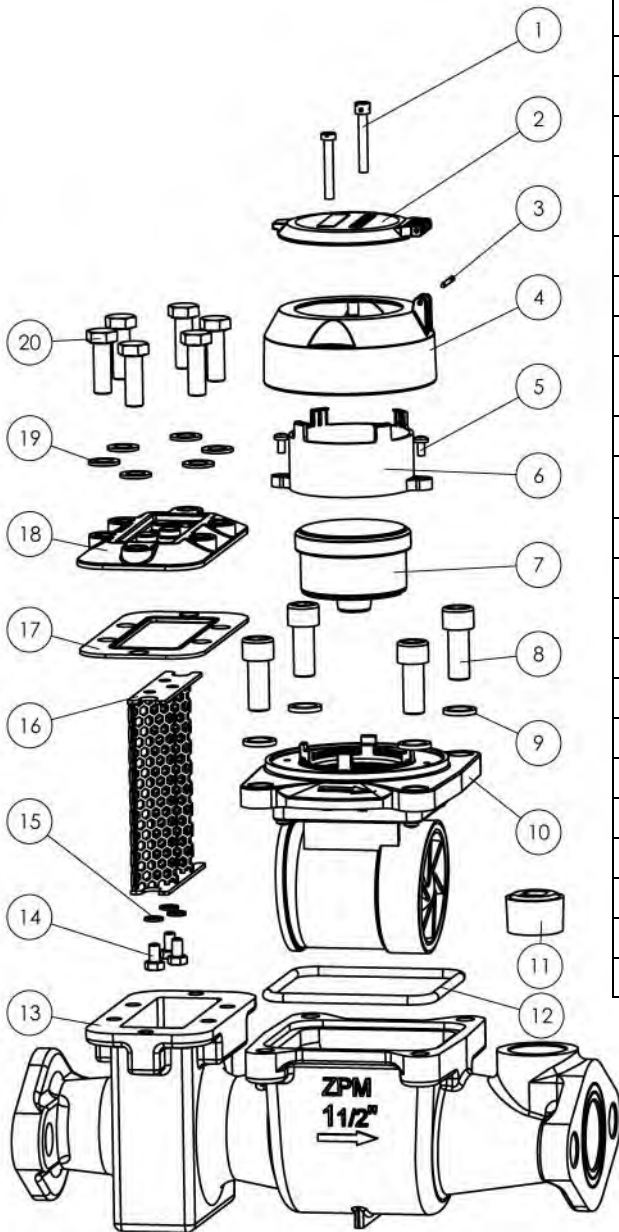
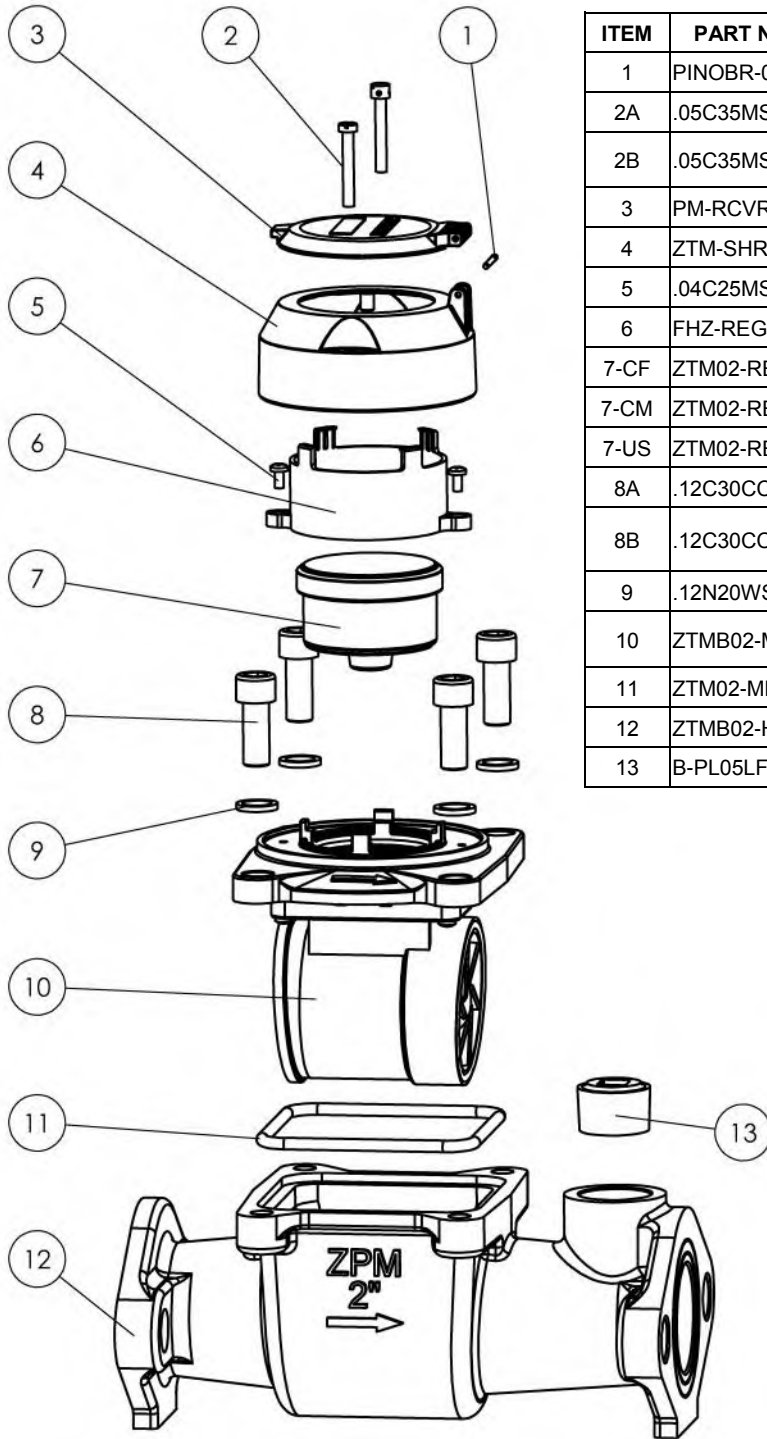


ZENNER Bronze Turbine Meters Parts List for Model ZTMB01 (Size 1-1/2")



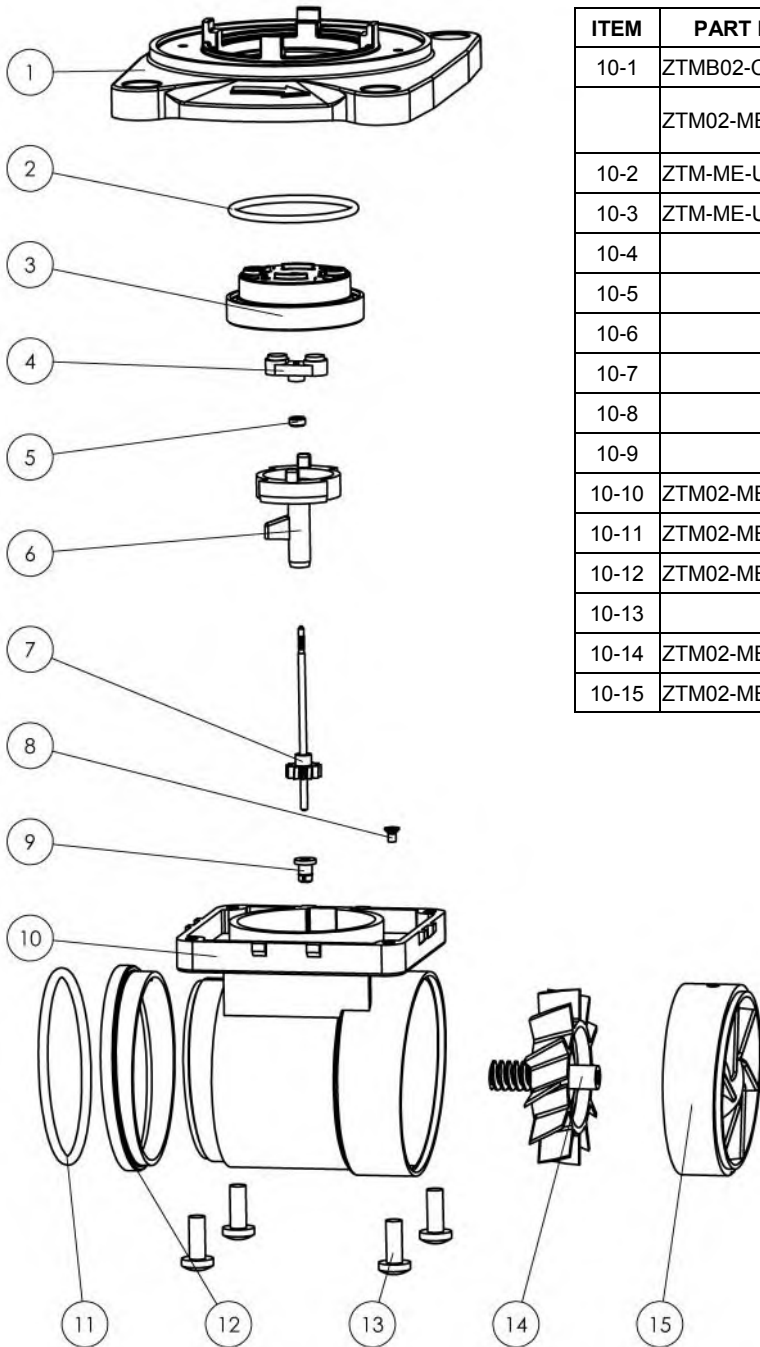
ITEM	PART NUMBER	DESCRIPTION	QTY
1	PINOBR-098-100	Register Cover Hinge Pin	1
2A	.05C35MSPS	Screw Slot Fillister Head SS M5-0.8 x 35	1
2B	.05C35MSPS-DH	Screw Slot Fillister Head SS M5-0.8 x 35, with Tamper Wire Hole	1
3	PM-RCVR-XB	Register Cover, Brass	1
4	FHZ-SHR-B	FHZ Brass Register Shroud	1
5	.04C25MSPS	Screw Slot Pan SS M4-0.7 x 25	2
6	FHZ-REG-RR	FHZ/ZTM Register Retaining Ring	1
7-CF	ZTM01-REG-CF	Register, 1-1/2" Turbine, Cubic Feet	1
7-CM	ZTM01-REG-CM	Register, 1-1/2" Turbine, Cubic Meters	1
7-US	ZTM01-REG-US	Register, 1-1/2" Turbine, U.S. Gallons	1
8A	.12C30CCSS	Bolt Socket Cap SS M12-1.75 x 30	3
8B	.12C30CCSS-DH	Bolt Socket Cap SS M12-1.75 x 30, with Tamper Wire Hole	1
9	.12N20WSHS	Washer Flat SS M12 x 20 OD	4
10	ZTMB02-MEA-WCP	ZTMB01/02 Measuring Element with Bronze Cover Plate	1
10-11	ZTM02-ME-FSOR	ZTM02 Front Seal O-Ring	1
10-14	ZTM02-ME-ROT	ZTM01/02 Measuring Element Rotor	1
11	B-PL05LF	Plug Brass 1" MIP Cored	1
12	ZTM02-ME-GSKT	ZTM02 Measuring Element Gasket	1
13	ZTMB01-HSG	ZTMB01 Housing, 1-1/2", Bronze, 13"LL	1
14	.06C10HCSS	Bolt Hex Cap SS M6-1 x 10	3
15	.06C10WLSS	Washer Lock SS M6	3
16	ZSB02-SCR	ZSB02 Strainer Screen Assembly, SS	1
17	ZSB02-GSKT	ZSB02 Strainer Gasket	1
18	ZSB02-CVR	ZSB02 Strainer Cover, Bronze	1
19	.10N18WSHS	Washer Flat SS M10 x 18 OD	6
20	.10C30HCSS	Bolt Hex Cap SS M12-1.75 x 30	6

ZENNER Bronze Turbine Meters Parts List for Model ZTMB02 (Size 2")



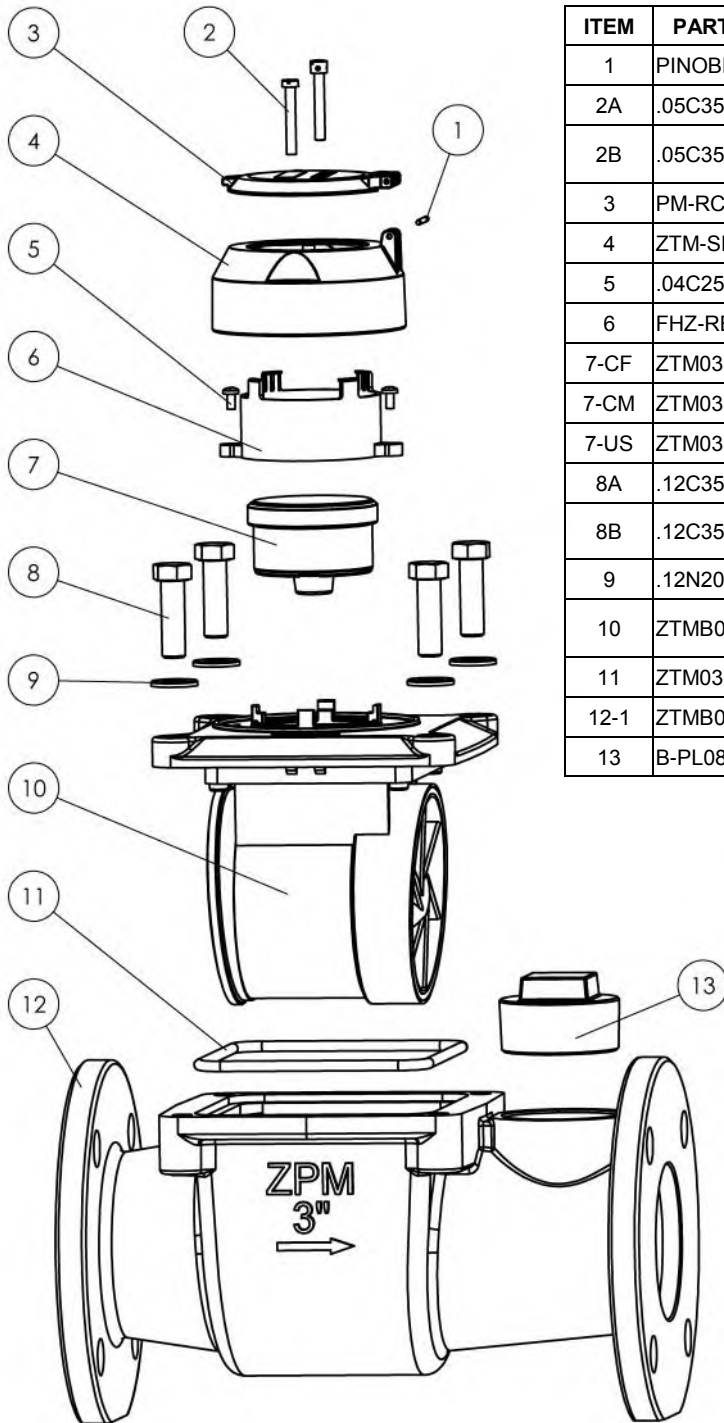
ITEM	PART NUMBER	DESCRIPTION	QTY
1	PINOBR-098-100	Register Cover Hinge Pin	1
2A	.05C35MSPS	Screw Slot Fillister Head SS M5-0.8 x 35	1
2B	.05C35MSPS-DH	Screw Slot Fillister Head SS M5-0.8 x 35, with Tamper Wire Hole	1
3	PM-RCVR-XB	Register Cover, Brass	1
4	ZTM-SHR-B	ZTM Brass Register Shroud	1
5	.04C25MSPS	Screw Slot Pan SS M4-0.7 x 25	2
6	FHZ-REG-RR	FHZ/ZTM Register Retaining Ring	1
7-CF	ZTM02-REG-CF	Register, 2" Turbine, Cubic Feet	1
7-CM	ZTM02-REG-CM	Register, 2" Turbine, Cubic Meters	1
7-US	ZTM02-REG-US	Register, 2" Turbine, U.S. Gallons	1
8A	.12C30CCSS	Bolt Socket Cap SS M12-1.75 x 30	3
8B	.12C30CCSS-DH	Bolt Socket Cap SS M12-1.75 x 30, with Tamper Wire Hole	1
9	.12N20WSHS	Washer Flat SS M12 x 20 OD	4
10	ZTMB02-MEA-WCP	ZTMB01/02 Measuring Element with Bronze Cover Plate and Gasket	1
11	ZTM02-ME-GSKT	ZTM02 Measuring Element Gasket	1
12	ZTMB02-HSG	ZTMB02 Housing, 2", Bronze, 10"LL	1
13	B-PL05LF	Plug Brass 1" MIP Cored	1

ZENNER Bronze Turbine Meters Measuring Element Parts List Models ZTMB01 (1-1/2") and ZTMB02 (2")



ITEM	PART NUMBER	DESCRIPTION	QTY
10-1	ZTMB02-CVRPL	Cover Plate, Bronze	1
	ZTM02-MEA	ZTM01/02 Measuring Element Assembly (Items 10-2 thru 10-15)	
10-2	ZTM-ME-UBA-ORING	O-Ring, Upper Bearing Assembly	1
10-3	ZTM-ME-UBA	Upper Bearing Assembly	1
10-4		Magnet Component	1
10-5		Through Hole Bearing	1
10-6		Calibration Vane	1
10-7		Transmission Shaft Gear	1
10-8		Screw, Flat Head, SS	1
10-9		Lower Transmission Bearing	1
10-10	ZTM02-ME-CAGE	Measuring Element Cage	1
10-11	ZTM02-ME-FS	O-ring, Front Seal	1
10-12	ZTM02-ME-FB	Front Bushing	1
10-13		Screw, Pan Head, SS	4
10-14	ZTM02-ME-ROT	Rotor Assembly	1
10-15	ZTM02-ME-BH	Back Holder	1

ZENNER Bronze Turbine Meters Parts List for Model ZTMB03 (Size 3")

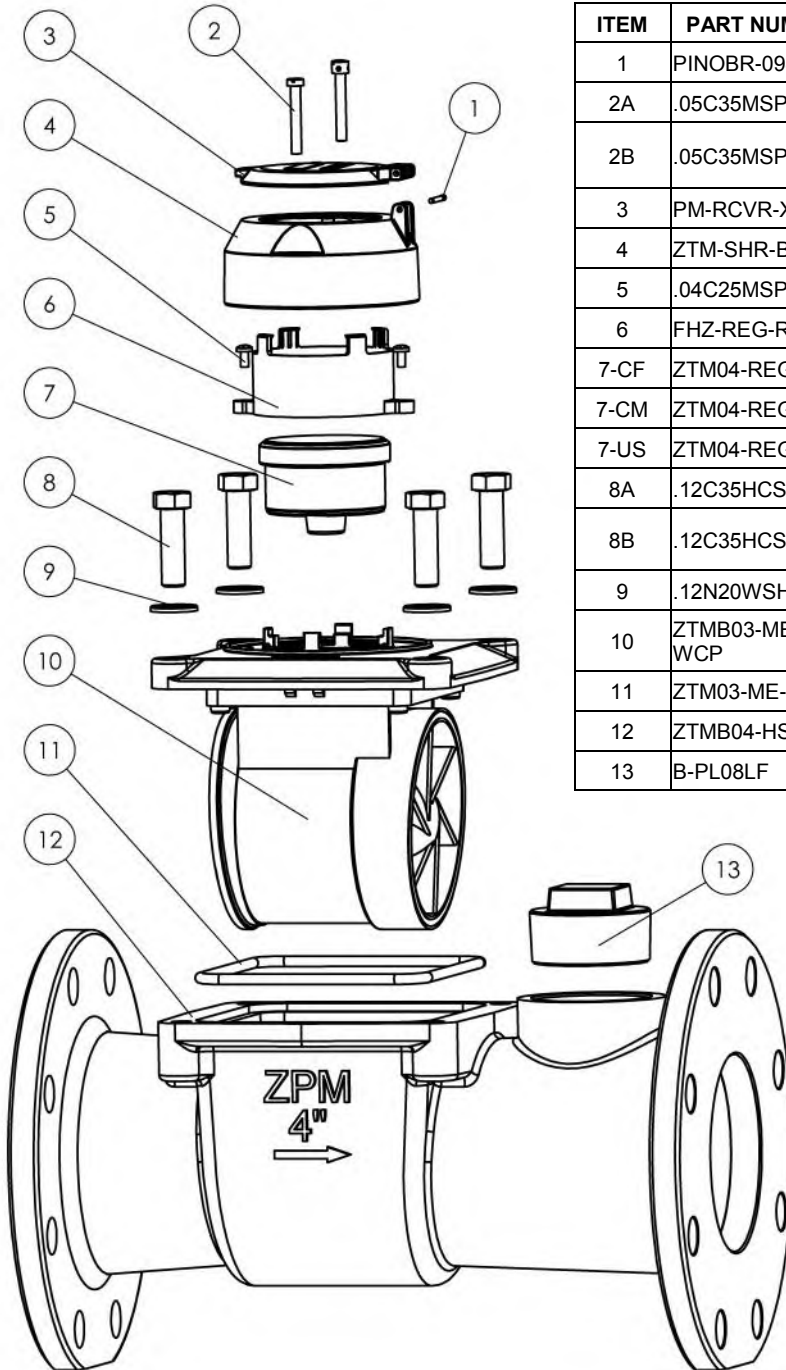


ITEM	PART NUMBER	DESCRIPTION	QTY
1	PINOBR-098-100	Register Cover Hinge Pin	1
2A	.05C35MSPS	Screw Slot Fillister Head SS M5-0.8 x 35	1
2B	.05C35MSPS-DH	Screw Slot Fillister Head SS M5-0.8 x 35, with Tamper Wire Hole	1
3	PM-RCVR-XB	Register Cover, Brass	1
4	ZTM-SHR-B	ZTM Brass Register Shroud	1
5	.04C25MSPS	Screw Slot Pan SS M4-0.7 x 25	2
6	FHZ-REG-RR	FHZ/ZTM Register Retaining Ring, Plastic	1
7-CF	ZTM03-REG-CF	Register, 3" Turbine, Cubic Feet	1
7-CM	ZTM03-REG-CM	Register, 3" Turbine, Cubic Meters	1
7-US	ZTM03-REG-US	Register, 3" Turbine, U.S. Gallons	1
8A	.12C35HCSS	Bolt Hex Cap SS M12-1.75 x 35	3
8B	.12C35HCSS-DH	Bolt Hex Cap SS M12-1.75 x 35, with Tamper Wire Hole	1
9	.12N20WSHS	Washer Flat SS M12 x 20 OD	4
10	ZTMB03-MEA-WCP	ZTMB03/04 Measuring Element Assembly with Bronze Cover Plate	1
11	ZTM03-ME-GSKT	ZTM03/04 Measuring Element	1
12-1	ZTMB03-HSG	ZTMB03 Housing, 3", Bronze, 12"LL	1
13	B-PL08LF	Plug Brass 2" MIP Cored LF	1

ZENNER USA

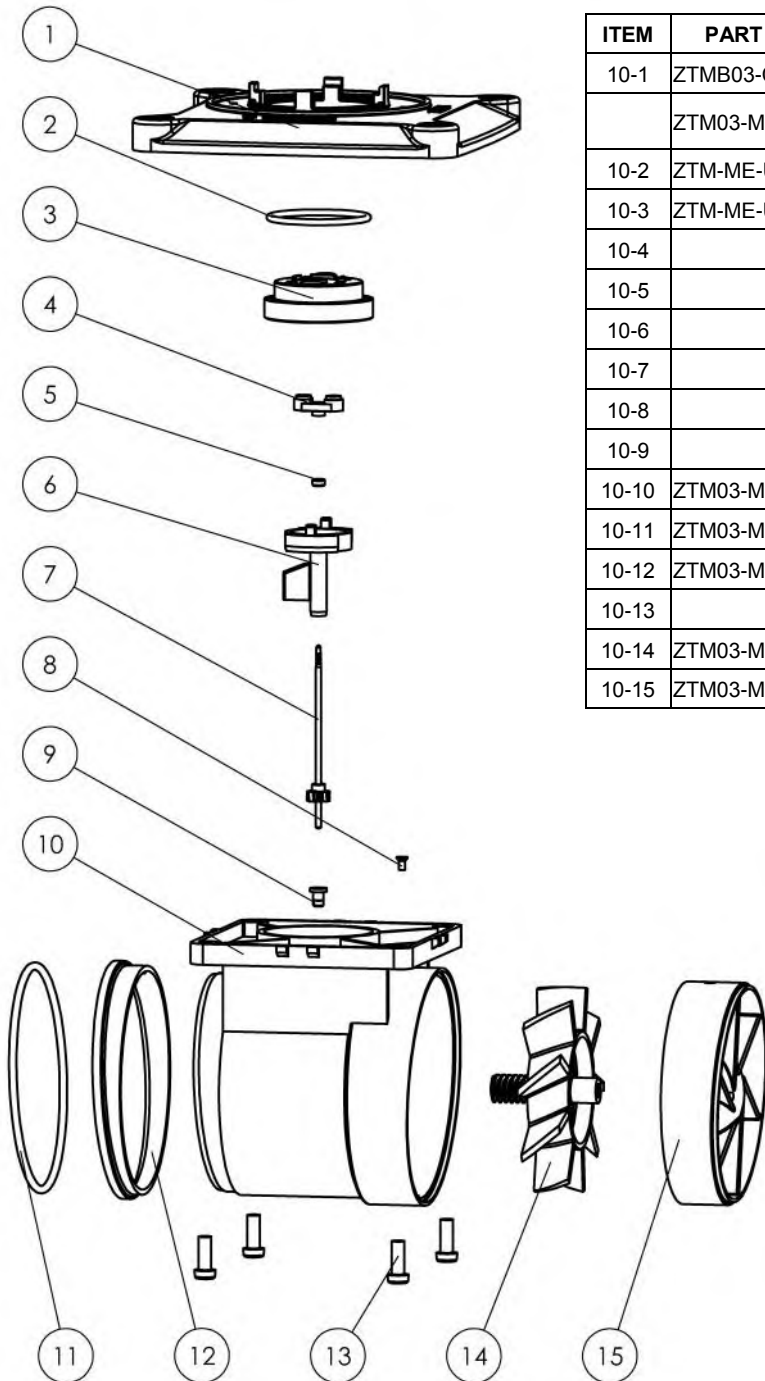
15280 Addison Rd #240, Addison, TX 75001
 Phone (972) 386-6611, Fax (972) 386-1814
www.zennerusa.com

ZENNER Bronze Turbine Meters Parts List for Model ZTMB04 (Size 4")



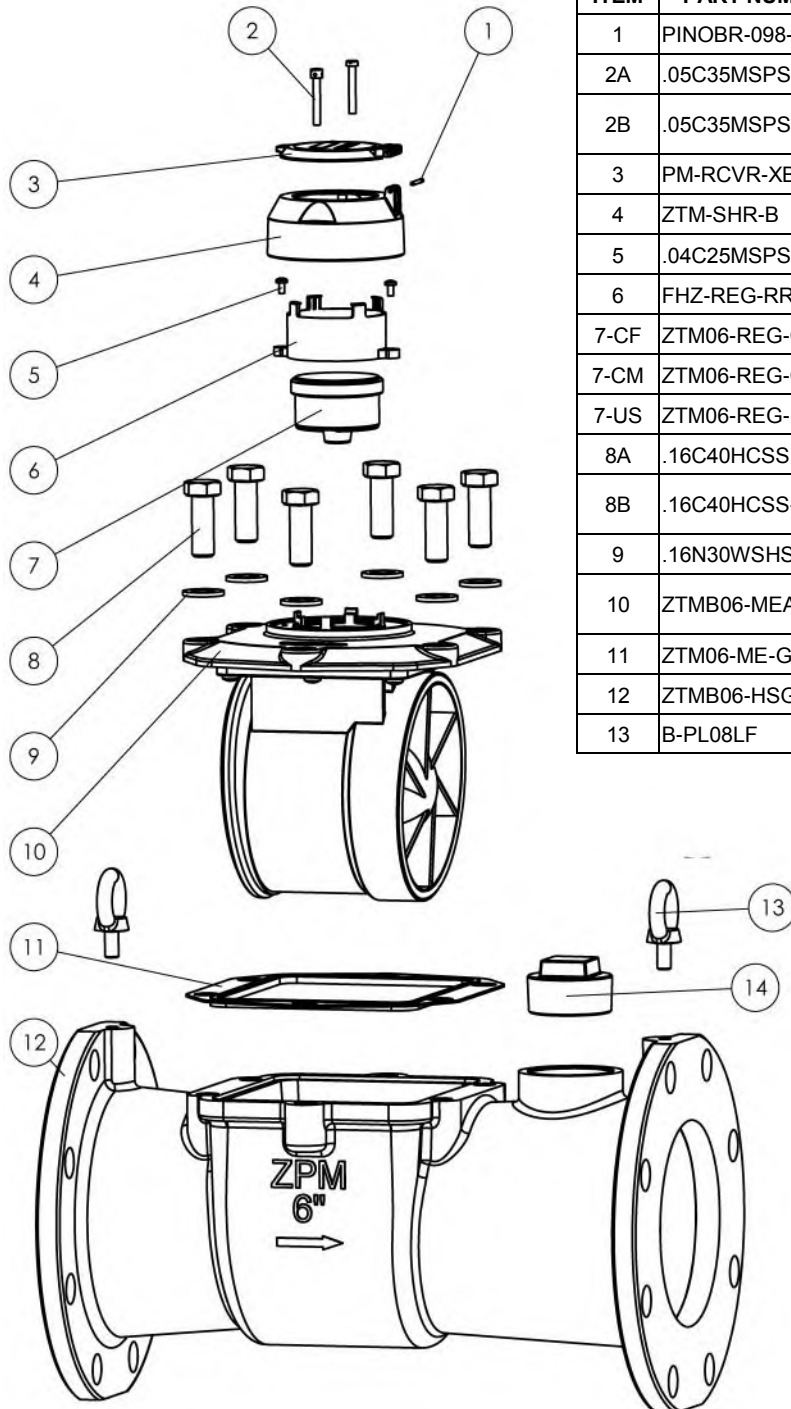
ITEM	PART NUMBER	DESCRIPTION	QTY
1	PINOBR-098-100	Register Cover Hinge Pin	1
2A	.05C35MSPS	Screw Slot Fillister Head SS M5-0.8 x 35	1
2B	.05C35MSPS-DH	Screw Slot Fillister Head SS M5-0.8 x 35, with Tamper Wire Hole	1
3	PM-RCVR-XB	Register Cover, Brass	1
4	ZTM-SHR-B	ZTM Brass Register Shroud	1
5	.04C25MSPS	Screw Slot Pan SS M4-0.7 x 25	2
6	FHZ-REG-RR	FHZ/ZTM Register Retaining Ring, Plastic	1
7-CF	ZTM04-REG-CF	Register, 4" Turbine, Cubic Feet	1
7-CM	ZTM04-REG-CM	Register, 4" Turbine, Cubic Meters	1
7-US	ZTM04-REG-US	Register, 4" Turbine, U.S. Gallons	1
8A	.12C35HCSS	Bolt Hex Cap SS M12-1.75 x 35	3
8B	.12C35HCSS-DH	Bolt Hex Cap SS M12-1.75 x 35, with Tamper Wire Hole	1
9	.12N20WSHS	Washer Flat SS M12 x 20 OD	4
10	ZTMB03-MEA-WCP	ZTMB03/04 Measuring Element Assembly with Bronze Cover Plate	1
11	ZTM03-ME-GSKT	ZTM03/04 Measuring Element Gasket	1
12	ZTMB04-HSG	ZTMB04 Housing, 4", Bronze, 14"LL	1
13	B-PL08LF	Plug Brass 2" MIP Cored LF	1

ZENNER Bronze Turbine Meters Measuring Element Parts List Models ZTMB03 (3") and ZTMB04 (4")



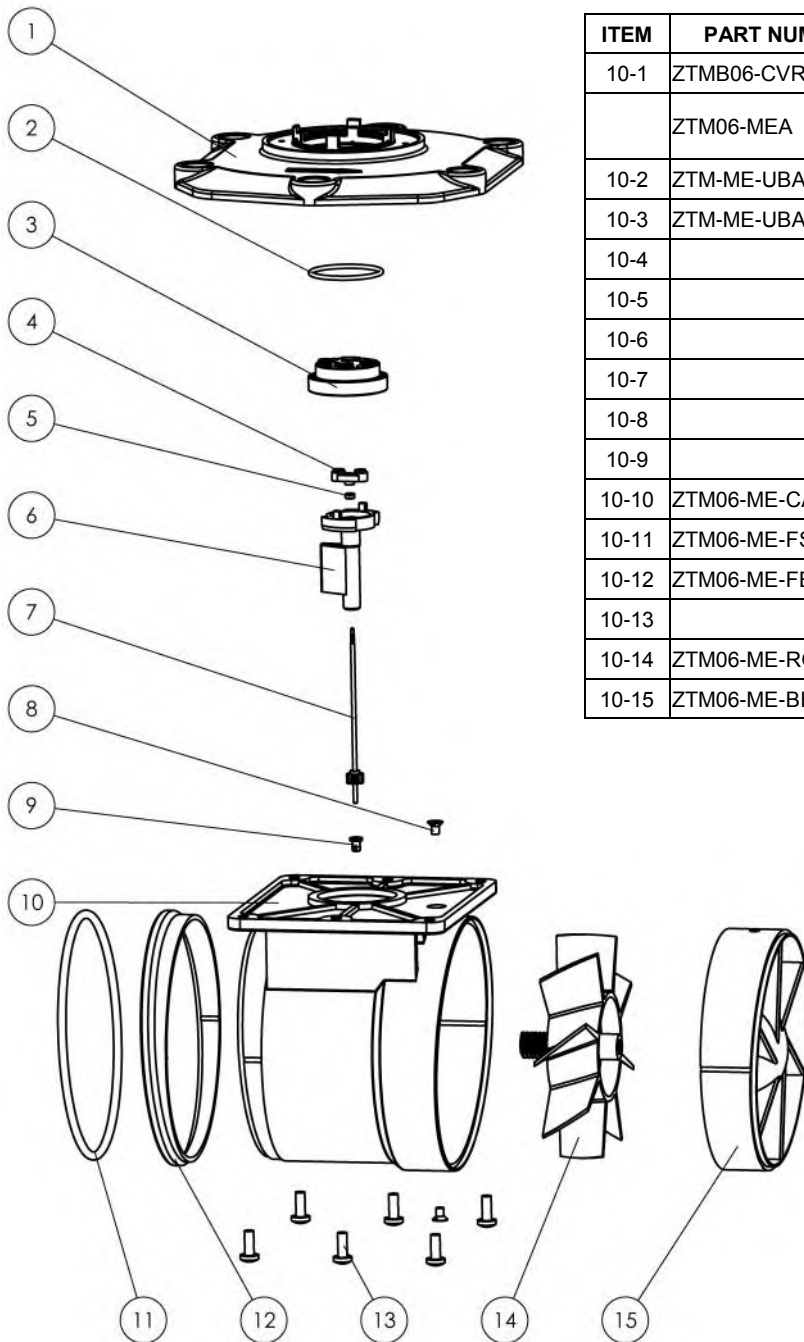
ITEM	PART NUMBER	DESCRIPTION	QTY
10-1	ZTMB03-CVRPL	Cover Plate, Bronze	1
	ZTM03-MEA	ZTM03/04 Measuring Element Assembly (Items 10-2 thru 10-15)	
10-2	ZTM-ME-UBA-ORING	O-Ring, Upper Bearing Assembly	1
10-3	ZTM-ME-UBA	Upper Bearing Assembly	1
10-4		Magnet Component	1
10-5		Through Hole Bearing	1
10-6		Calibration Vane	1
10-7		Transmission Shaft Gear	1
10-8		Screw, Flat Head, SS	1
10-9		Lower Transmission Bearing	1
10-10	ZTM03-ME-CAGE	Measuring Element Cage	1
10-11	ZTM03-ME-FS	O-ring, Front Seal	1
10-12	ZTM03-ME-FB	Front Bushing	1
10-13		Screw, Pan Head, SS	4
10-14	ZTM03-ME-ROT	Rotor Assembly	1
10-15	ZTM03-ME-BH	Back Holder	1

ZENNER Bronze Turbine Meters Parts List for Model ZTMB06 (Size 6")



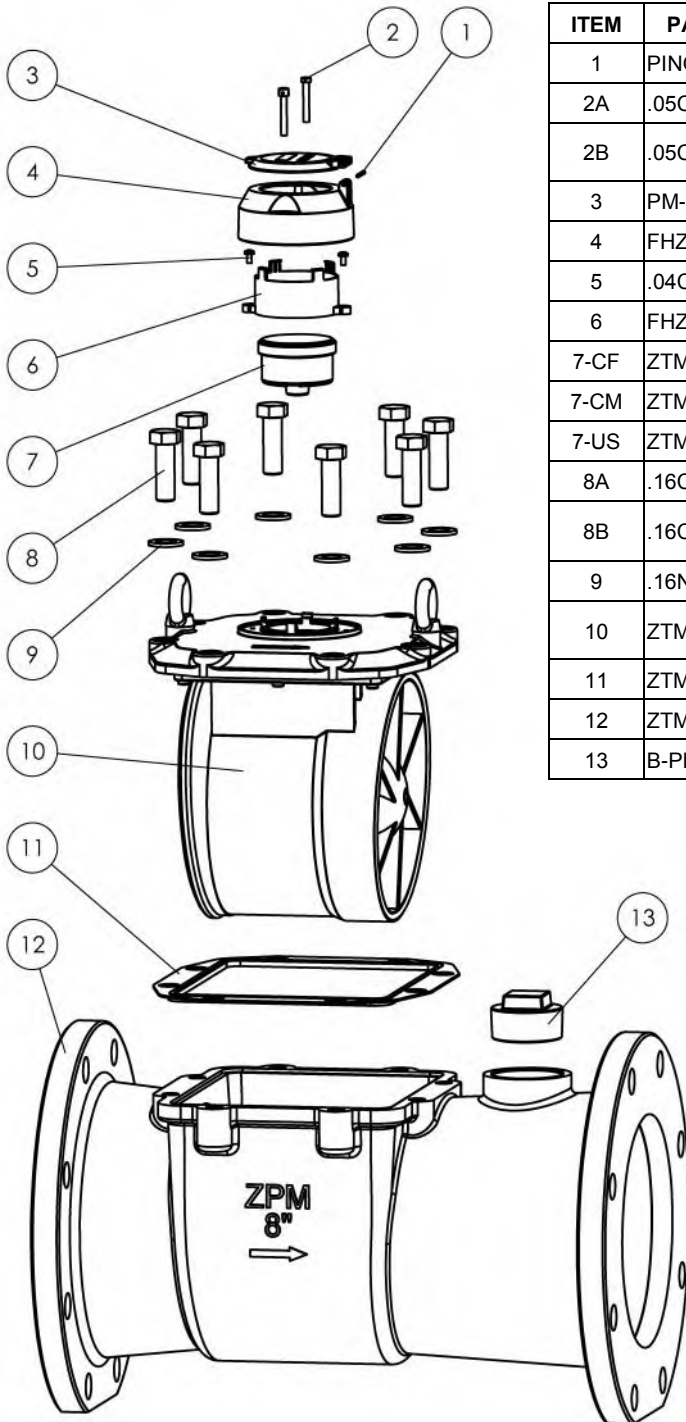
ITEM	PART NUMBER	DESCRIPTION	QTY
1	PINOBR-098-100	Register Cover Hinge Pin	1
2A	.05C35MSPS	Screw Slot Fillister Head SS M5-0.8 x 35	1
2B	.05C35MSPS-DH	Screw Slot Fillister Head SS M5-0.8 x 35, with Tamper Wire Hole	1
3	PM-RCVR-XB	Register Cover, Brass	1
4	ZTM-SHR-B	FHZ Brass Register Shroud	1
5	.04C25MSPS	Screw Slot Pan SS M4-0.7 x 25	2
6	FHZ-REG-RR	FHZ/ZTM Register Retaining Ring, Plastic	1
7-CF	ZTM06-REG-CF	Register, 6" Turbine, Cubic Feet	1
7-CM	ZTM06-REG-CM	Register, 6" Turbine, Cubic Meters	1
7-US	ZTM06-REG-US	Register, 6" Turbine, U.S. Gallons	1
8A	.16C40HCSS	Bolt Hex Cap SS M16-2 x 40	7
8B	.16C40HCSS-DH	Bolt Hex Cap SS M16-2 x 40, with Tamper Wire Hole	1
9	.16N30WSHS	Washer Flat SS M16 x 30 OD	8
10	ZTMB06-MEA-WCP	ZTMB06 Measuring Element Assembly with Bronze Cover Plate	1
11	ZTM06-ME-GSKT	ZTM06 Measuring Element Gasket	1
12	ZTMB06-HSG	ZTMB06 Housing, 6", Bronze, 18"LL	1
13	B-PL08LF	Plug Brass 2" MIP Cored LF	1

ZENNER Bronze Turbine Meters Measuring Element Parts List Model ZTMB06 (6")



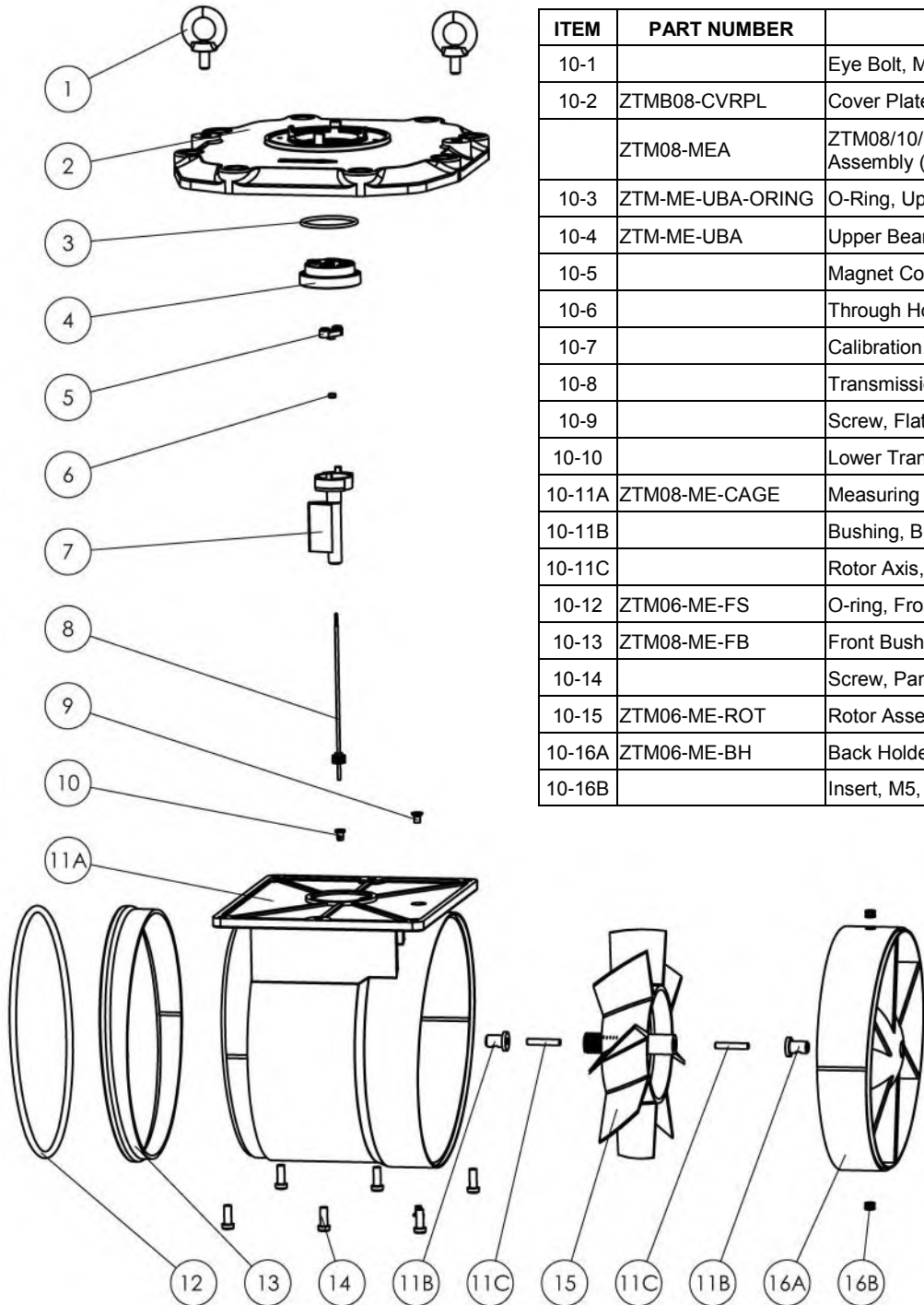
ITEM	PART NUMBER	DESCRIPTION	QTY
10-1	ZTMB06-CVRPL	Cover Plate, Bronze	1
	ZTM06-MEA	ZTM06 Measuring Element Assembly (Items 10-2 thru 10-15)	
10-2	ZTM-ME-UBA-ORING	O-Ring, Upper Bearing Assembly	1
10-3	ZTM-ME-UBA	Upper Bearing Assembly	1
10-4		Magnet Component	1
10-5		Through Hole Bearing	1
10-6		Calibration Vane	1
10-7		Transmission Shaft Gear	1
10-8		Screw, Flat Head, SS	2
10-9		Lower Transmission Bearing	1
10-10	ZTM06-ME-CAGE	Measuring Element Cage	1
10-11	ZTM06-ME-FS	O-ring, Front Seal	1
10-12	ZTM06-ME-FB	Front Bushing	1
10-13		Screw, Pan Head, SS	6
10-14	ZTM06-ME-ROT	Rotor Assembly	1
10-15	ZTM06-ME-BH	Back Holder	1

ZENNER Bronze Turbine Meters Parts List for Model ZTMB08 (Size 8")



ITEM	PART NUMBER	DESCRIPTION	QTY
1	PINOBR-098-100	Register Cover Hinge Pin	1
2A	.05C35MSPS	Screw Slot Fillister Head SS M5-0.8 x 35	1
2B	.05C35MSPS-DH	Screw Slot Fillister Head SS M5-0.8 x 35, with Tamper Wire Hole	1
3	PM-RCVR-XB	Register Cover, Brass	1
4	FHZ-SHR-B	FHZ Brass Register Shroud	1
5	.04C25MSPS	Screw Slot Pan SS M4-0.7 x 25	2
6	FHZ-REG-RR	FHZ/ZTM Register Retaining Ring, Plastic	1
7-CF	ZTM08-REG-CF	Register, 8" Turbine, Cubic Feet	1
7-CM	ZTM08-REG-CM	Register, 8" Turbine, Cubic Meters	1
7-US	ZTM08-REG-US	Register, 8" Turbine, U.S. Gallons	1
8A	.16C45HCSS	Bolt Hex Cap SS M16-2 x 45	7
8B	.16C45HCSS-DH	Bolt Hex Cap SS M16-2 x 45, with Tamper Wire Hole	1
9	.16N30WSHS	Washer Flat SS M16 x 30 OD	8
10	ZTMB08-MEA-WCP	ZTMB08 Measuring Element Assembly with Bronze Cover Plate	1
11	ZTM08-ME-GSKT	ZTM08 Measuring Element Gasket	1
12	ZTMB08-HSG	ZTMB08 Housing, 8", Bronze, 20"LL	1
13	B-PL08LF	Plug Brass 2" MIP Cored LF	1

ZENNER Bronze Turbine Meters Measuring Element Parts List Model ZTMB08 (Size 8")



ITEM	PART NUMBER	DESCRIPTION	QTY
10-1		Eye Bolt, M10	2
10-2	ZTMB08-CVRPL	Cover Plate, Bronze	1
	ZTM08-MEA	ZTM08/10/12 Measuring Element Assembly (Items 10-2 thru 10-16)	
10-3	ZTM-ME-UBA-ORING	O-Ring, Upper Bearing Assembly	1
10-4	ZTM-ME-UBA	Upper Bearing Assembly	1
10-5		Magnet Component	1
10-6		Through Hole Bearing	1
10-7		Calibration Vane	1
10-8		Transmission Shaft Gear	1
10-9		Screw, Flat Head, SS	2
10-10		Lower Transmission Bearing	1
10-11A	ZTM08-ME-CAGE	Measuring Element Cage	1
10-11B		Bushing, Bronze	1
10-11C		Rotor Axis, Carbide	1
10-12	ZTM06-ME-FS	O-ring, Front Seal	1
10-13	ZTM08-ME-FB	Front Bushing	1
10-14		Screw, Pan Head, SS	6
10-15	ZTM06-ME-ROT	Rotor Assembly	1
10-16A	ZTM06-ME-BH	Back Holder	1
10-16B		Insert, M5, Bronze	2