

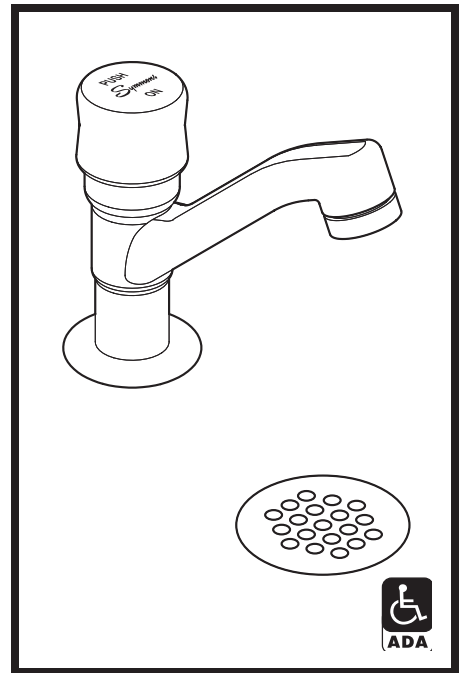
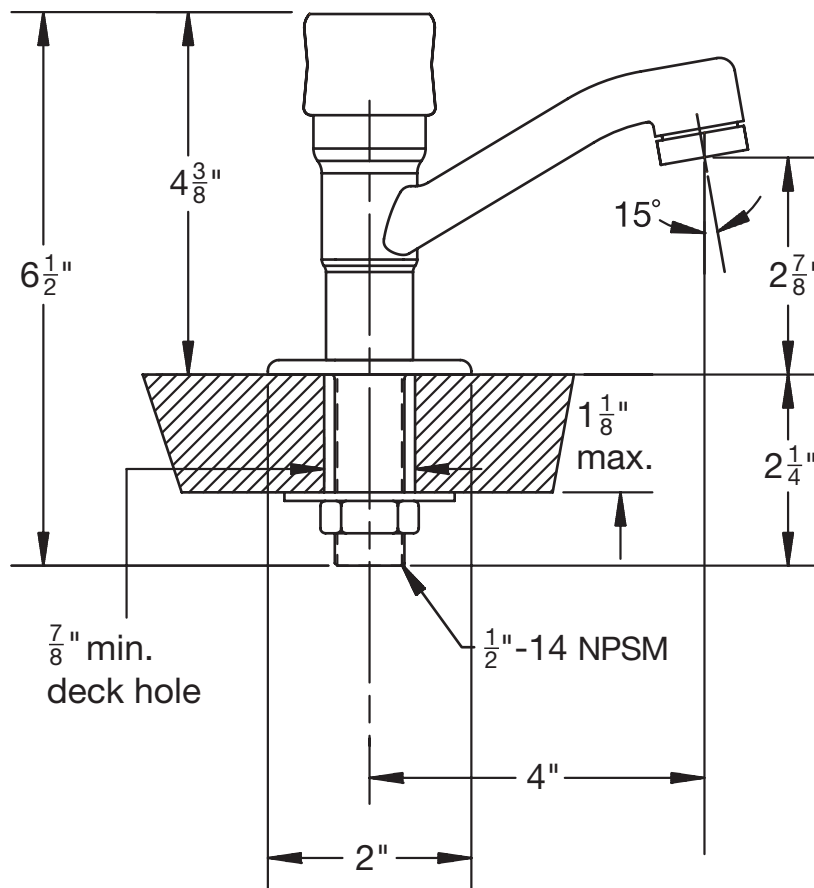


S-71 Single Post Metering Faucet

Single Post Metering Faucet to meter a single cold, hot or tempered water supply. Adjustable time limit stop to adjust flow time. Vandal resistant 0.5 gpm spray outlet.

Modifications: Add Suffix:

- Suffix G:** Grid strainer drain assembly
- Suffix A:** Vandal resistant aerator in place of 0.5 gpm spray outlet (1.25 GPM at 50 PSI)
- Suffix 1.5:** Flow rate restrictors, 1.5 gpm (5.7 L/min)
- Suffix NA:** Non-aerated laminar flow outlet
- Suffix QC:** Quick closing feature
- Suffix OFG:** Offset grid strainer
- Suffix C:** Cold marking on cap
- Suffix H:** Hot marking on cap



**SYMMONS PRODUCTS MEET
ASME A112.18.1M / CSA B125.1
NSF 61-G, 372
(CA AB1953, 116875)
Metering Faucets
0.25 gallons per cycle (1.0 L/cycle)**

Job/Location

.....
.....

Engineer

.....
.....

Contractor

.....
.....

For ADA compliance (Americans with Disabilities Act) consult ADAAG or your state regulations for proper product choice and mounting locations.

Symmons Industries, Inc. ■ 31 Brooks Drive ■ Braintree, MA 02184
(800) 796-6667, (781) 848-2250 ■ Fax (800) 961-9621, (781) 843-3849
Website: www.symmons.com ■ Email: customerservice@symmons.com

