

# #9800 AUTOMATIC FLUSHING DEVICE

Flushing device shall be installed in the following locations:

---



---



---



---



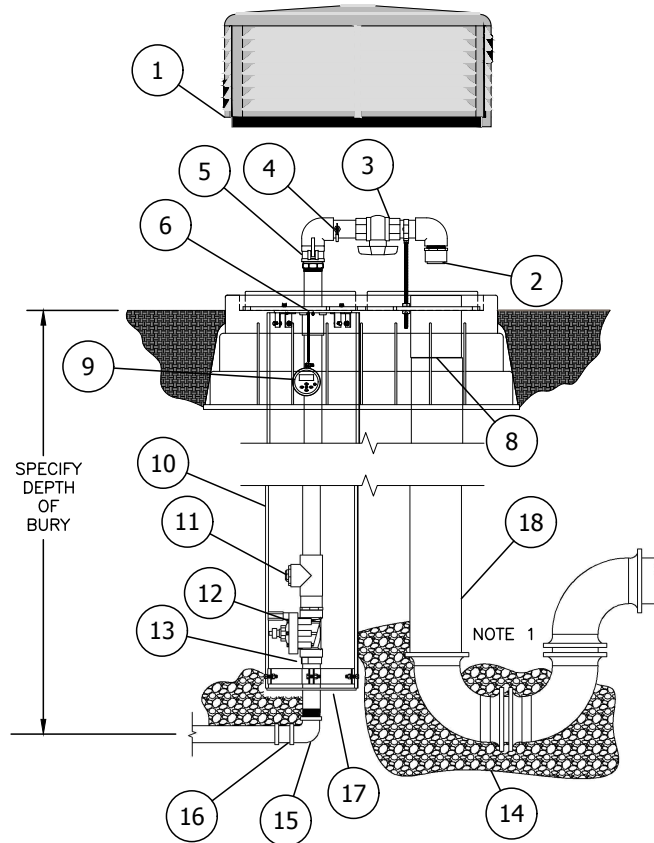
---



---



---



ITEM	ITEM / DESCRIPTION	OPTIONAL	BY OTHERS
1	UV RESISTANT LOCKABLE LID		
2	DIFFUSER / TRAP		
3	2" PVC BALL VALVE		
4	SAMPLING POINT		
5	2" STAINLESS STEEL QUICK DISCONNECT		
6	REMOVABLE ACCESS PLATE		
7	DECHLOR BASKET	X	
8	6" SEWER PIPE CONNECTION		
9	CONTROLLER		
10	SDR 35 PVC PIPE		
11	AUTOMATIC DRAIN		
12	2" AUTOMATIC VALVE		
13	O-RING CONNECTOR		
14	1" CLEAN ROCK		X
15	2" S.S. FIP INLET		X
16	2" MIP x COMPRESSION ADAPTER		X
17	DEBRIS PLATE		
18	6" PVC SEWER PIPE & P TRAP		X
19	SCHEDULE 80 PVC PIPE		

### LAYOUT NOTES:

- 1.) KUPFERLE RECOMMENDS THE INSTALLATION OF A 6" DWV P TRAP

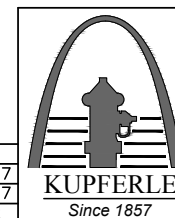
Automatic flushing device shall have a 2" stainless steel MIP inlet that will lead vertically to the bottom of a 2" automatic flushing valve. The flushing valve shall control the flow of water through the hydrant and its diaphragm with the extension and retraction of a DC latching solenoid and have a 220 PSI rating. Each unit shall be furnished with a stand-alone valve controller. The valve controller will not require a second hand-held device for programming. Controller must have minimum of 12 possible flushing cycles per day. Controller shall be submersible to 12 feet, operate with a 9 volt battery, and have resin-sealed electrical components. The solenoid shall have no loose parts when removed from the valve. Each unit shall have a all stainless steel sampling point. Removal of the 2" valve shall be possible via an o-ring connector located beneath the valve after the above ground disconnection of the stainless steel access plate. Valve assembly shall be housed in a PVC enclosure and each unit shall be self-draining, non-freezing. All above-ground components shall be contained within a UV-Resistant locking cover.

Unit model # shall be 9800 as manufactured by Kupferle Foundry Company, St. Louis MO (1-800-231-3990), or approved equal.

**NOTE: Flush water lines free of debris before installation**

DD/MM/YY	ISSUED FOR REFERENCE
DATE	STATUS / REVISION

SHEET 1 OF 1	SCALE: 1/2"=1'	DRAWN	SMS	05/30/17
9800 SPEC SHEET		APPROVED	DCL	05/30/17
		MODIFIED	KJW	09/23/22



2511 NORTH 9TH STREET  
ST. LOUIS, MO 63102  
1-800-231-3990  
FAX 314-231-2820  
www.hydrants.com