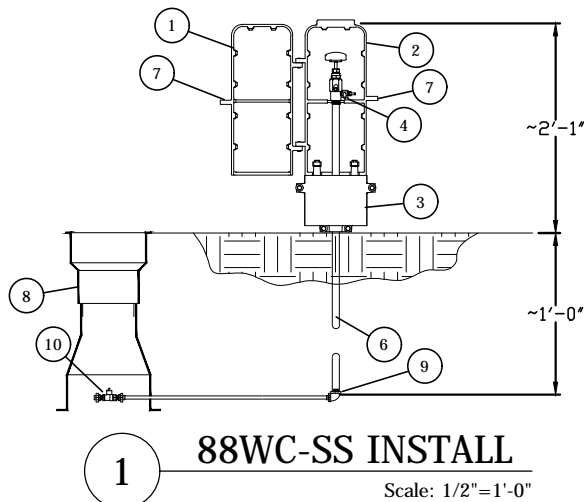
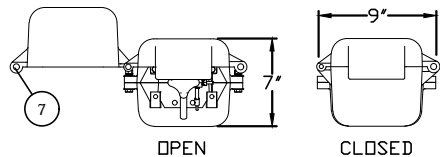
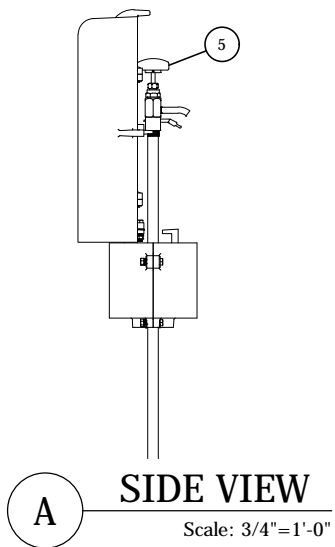
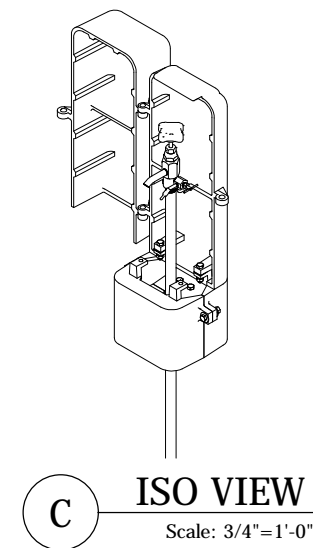


#88WC-SS SAMPLING STATION SPEC SHEET



ITEM	DESCRIPTION	NOTES
1	88 FRONT DOOR (COVER A)	
2	88 REAR DOOR (COVER B)	
3	88 BASE	2 PIECES
4	S.S. SAMPLING PETCOCK	
5	S.S. OPERATING VALVE	
6	1/2" S.S. WATERWAY	
7	LOCKING HOLE	
8	VALVE BOX	BY OTHERS
9	1/2" S.S. ELBOW	BY OTHERS
10	BALL VALVE CURBSTOP	BY OTHERS



Sampling station shall be standard 1' bury, with a 1/2" MIP inlet, and a 7/16" unthreaded blow off and dedicated sampling bibb.

Station shall be enclosed in a powder coated lockable non-removable aluminum box with hinged openings.

The station shall have an operating valve that controls the flow of water through a 7/16" outlet, with 6 rotations of the handle being fully open. Located before the main blow off valve, a separate stainless steel globe valve petcock shall control the discharge of water via an unthreaded 1/8" outlet to allow the user a dedicated sampling point.

When open, the station shall require no key for operation. All water flow shall pass through an all stainless steel waterway.

All working parts shall be made of stainless steel and serviceable from above ground with no digging or replacement needed.

The station shall be model #88WC-SS as manufactured by *The Kupferle Foundry Company, St. Louis MO 63102* or approved equal.

GENERAL SPECIFICATIONS	
MAXIMUM OPERATING PRESSURE	85 PSI
STATION MATERIALS:	303, 316, & 18-8 STAINLESS STEEL
ENCLOSURE MATERIAL:	CAST AL 319 ALUMINUM
ENCLOSURE COLOR:	GREEN
WETTED MATERIALS:	BUNA-N & SBR RUBBER
DEPTH OF BURY:	1'-0"
WEIGHT:	76 LBS
CUSTOM LOGO:	

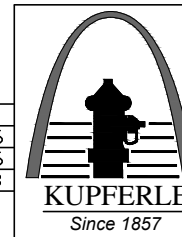
NOTES:

- IF THE COLOR SHALL BE ANY COLOR OTHER THAN GREEN, CHECK WITH THE MANUFACTURER FOR COLOR OPTIONS.
- WHEN INSTALLED ON OR WITH CONCRETE, KUPFERLE RECOMMENDS THE USE OF A GASKET OR BARRIER BETWEEN THE ENCLOSURE AND THE CONCRETE SURFACE. WHEN PURCHASING THE STATION, IF CONCRETE INSTALL IS SPECIFIED ON THE ORDER KUPFERLE WILL PROVIDE SAID GASKET. THE ENCLOSURE CLAMP ON THE BOTTOM OF THE ENCLOSURE WILL FIT INSIDE A 4" PVC PIPE.
- PROLONGED EXPOSURE TO STRONG CHLORIDES WHICH CAN BE PRESENT IN CONCRETE, CLEANING AGENTS, AND SOMETIME EVEN POTABLE WATER CAN LEAD TO POSSIBLE ENCLOSURE CORROSION. REGULAR MAINTENANCE AND DRYING THE STATION AFTER USE ARE THE BEST METHODS FOR OPTIMAL STATION LONGEVITY.
- IN CORROSION SOLIDS THE BURIED PIPE SHOULD BE PREPPED FOR ADDITIONAL RESISTANCE TO CORROSION. KUPFERLE RECOMMENDS SPRAYING ALL UNDERGROUND PIPING AND FITTINGS WITH BITUMINOUS SPRAY TAR, ALLOWING PROPER TIME TO DRY, AND THEN WRAPPING THE PARTS.

DATE	ISSUED FOR ...	STATUS / REVISION

88WC-SS SAMPLING STATION

	INITIALS	DATE
DRAWN	DCL	04/08/16
APPROVED	DCL	04/08/16
MODIFIED	SMS	09/10/18
SHEET SIZE:	A	SCALE: VARIES



2511 NORTH 9TH STREET
ST. LOUIS, MO 63102
1-800-231-3990
FAX 314-231-2820
www.hydrants.com