



Features

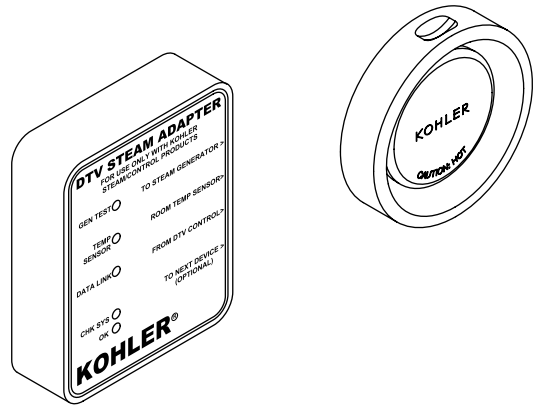
- Easy-to-install digital user interface control with quick connect cables
- Adjustable time and temperature settings
- DTV II Interface
- Aromatherapy reservoir on steam head
- 3-year warranty
- 20 minute safety shut-off

Codes/Standards Applicable

Specified model meets or exceeds the following:

- UL 499

STEAM GENERATOR ADAPTER KIT FOR DTV II **K-1737** ALSO K-1838



Colors/Finishes

- CP: Polished Chrome
- Other: Refer to Price Book for additional colors/finishes

Accessories

- NA: None applicable

Specified Model

Model	Description	Colors/Finishes	
K-1737	Steam adapter kit with steam head (shown)	<input type="checkbox"/> CP	<input type="checkbox"/> Other _____
K-1838	Steam adapter kit with two steam heads	<input type="checkbox"/> CP	<input type="checkbox"/> Other _____

Required Accessories			
K-638	Media module		<input type="checkbox"/> NA
K-694	Landscape digital interface OR		<input type="checkbox"/> Other _____
K-695	Portrait digital interface		<input type="checkbox"/> Other _____
For K-1737 adapter kit choose one of the following steam generators			
K-1695	Fast-Response® 5 kW steam generator		<input type="checkbox"/> NA
K-1696	Fast-Response® 13 kW steam generator		<input type="checkbox"/> NA
K-1708	Fast-Response® 7 kW steam generator		<input type="checkbox"/> NA
K-1713	Fast-Response® 15 kW steam generator		<input type="checkbox"/> NA

Product Specification

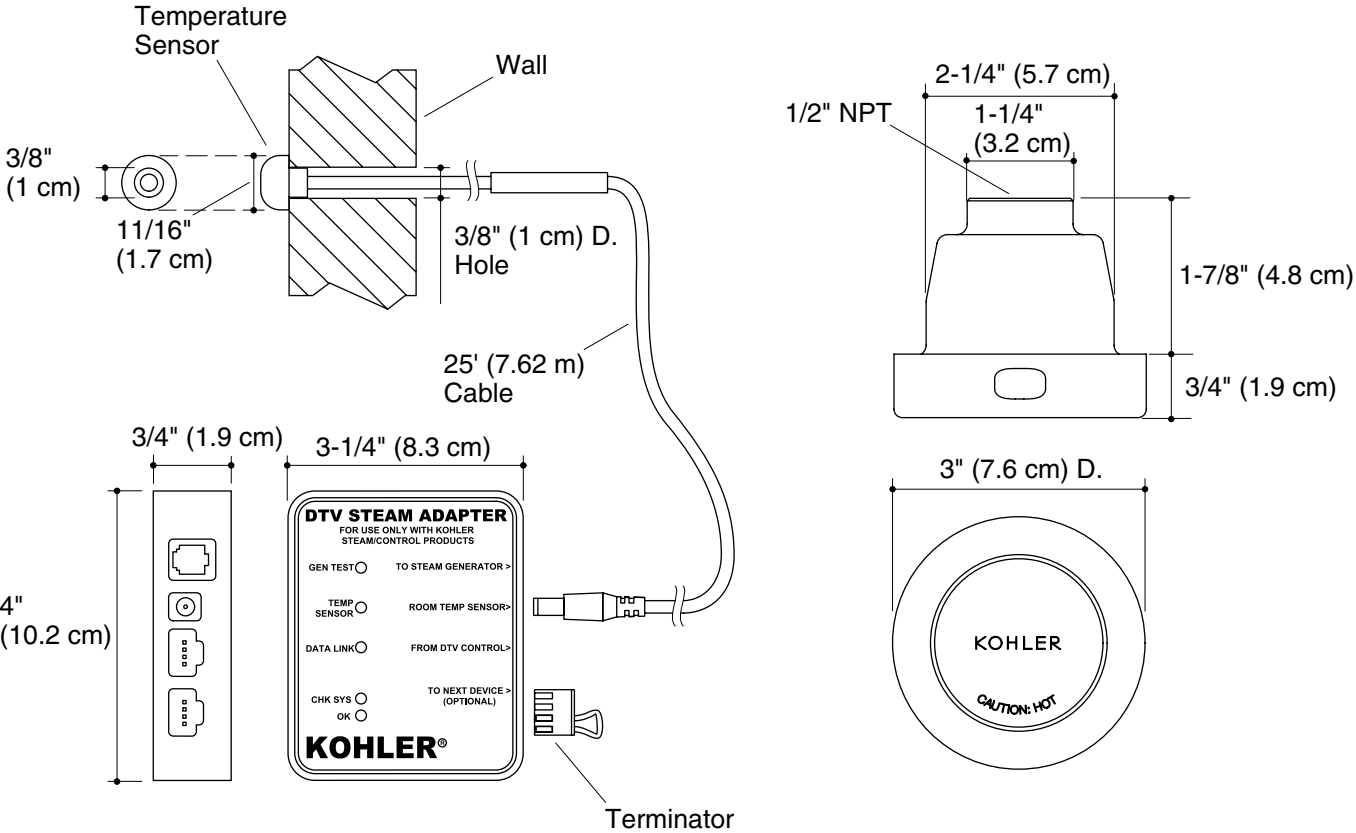
The steam adapter kit shall include an easy-to-install digital user interface control with quick connect cables. Product shall feature adjustable time and temperature settings with DTV II Interface. Product shall include a 20 minute safety shut-off, and aromatherapy reservoir on steam head. Product shall include a 3 year warranty. Steam adapter kit shall be Kohler Model K-_____-_____.



Required Accessories <i>Continued from previous page.</i>		
For K-1737 adapter kit choose one of the following steam generators <i>continued</i>		
K-1733	Fast-Response [®] 9 kW steam generator	<input type="checkbox"/> NA
K-1734	Fast-Response [®] 11 kW steam generator	<input type="checkbox"/> NA
For K-1838 adapter kit choose one of the following steam generators		
K-1697	Fast-Response [®] 26 kW steam generator	<input type="checkbox"/> NA
K-1714	Fast-Response [®] 18 kW steam generator	<input type="checkbox"/> NA
K-1715	Fast-Response [®] 22 kW steam generator	<input type="checkbox"/> NA
K-1716	Fast-Response [®] 30 kW steam generator	<input type="checkbox"/> NA

Installation Notes

Install this product according to the installation guide.
 Dimensions are nominal.



Product Diagram