

Bourdon Tube Pressure Gauge Inspector Test Gauge Model 332.54 - All Stainless Steel

WIKA Datasheet 332.54

Applications

- Inspector's test gauge
- Testing and calibration of other pressure measuring instruments
- Suitable for corrosive environments where the fluid medium does not clog the connection or corrode the wetted parts material

Product features

- All stainless steel construction
- (+/-) 0.25% full scale accuracy
- Supplied standard with calibration test report
- Supplied standard with padded carrying pouch

Specifications

Design

ASME B40.100

Size

4" (100mm)

Accuracy class

- $\pm 0.25\%$ of span (ASME B40.100 Grade 3A) for pressure range ≤ 600 psi (40 bar)
- $\pm 0.5\%$ of span (ASME B40.100 Grade 2A) for pressure range > 600 psi (40 bar) and $< 2,000$ psi (160 bar)
- $\pm 0.25\%$ of span (ASME B40.100 Grade 3A) for pressure range $\geq 2,000$ psi (160 bar)

Ranges (All ranges not stocked)

Vacuum / compound up to 200 psi (16 bar)

Pressure from 15 psi to 20,000 psi (all ranges not available in 0.25% accuracy) or other equivalent units of pressure or vacuum

Bourdon Tube

Material: 316 SS

≤ 1000 psi (70 bar): C-shape

> 1000 psi (70 bar): Helical



Pressure Gauge 332.54

Movement

Stainless steel

Dial

White aluminum with black lettering and mirrored band

Pointer

Black aluminum, micrometer adjustable, with knife edge

Case

304 SS with vent plug and polished stainless steel bayonet ring. Welded case to socket connection

Standard Scale

PSI

Window

Laminated safety glass

Working Range

Steady: Full scale value

Fluctuating: 0.9 x full scale value

Short time: 1.3 x full scale value

Operating Temperature

Ambient: -40°F to 140°F (-40°C to 60°C)

Media: max. 212°F ($+100^{\circ}\text{C}$)

Temperature error

Additional error when temperature changes from reference temperature of 68°F (20°C) ±0.4% of span for every 18°F (10°K) rising or falling.

Connection

Material: 316 SS
Lower mount (LM)
1/4" or 1/2" NPT

Window Gasket

Buna-N

Weather protection

Weather tight (NEMA 4X / IP 66)

Other

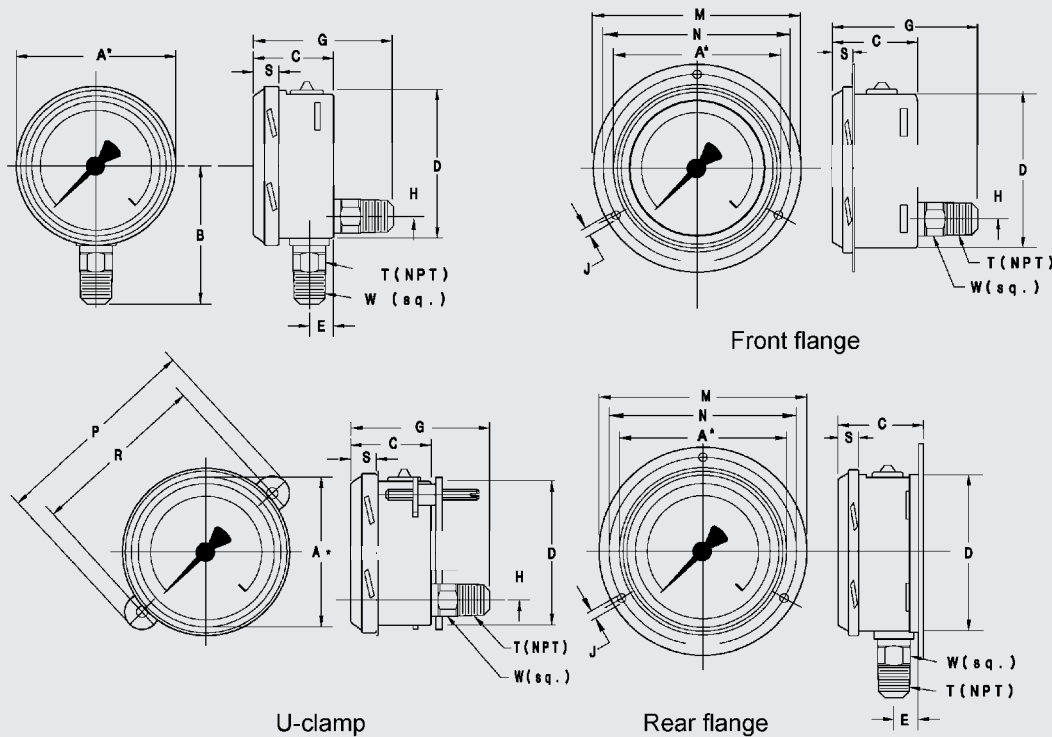
Supplied standard with a zippered, padded carry bag
Supplied standard with calibration test report

ORDER OPTIONS (min. order may apply)

- Custom dial layout
- 316 SS threaded restrictor
- Polycarbonate window
- Flat instrument glass window
- Special connections limited to wrench flat area
- Other pressure scales available:
 - Bar, kPa, Kg/cm² and dual scales
 - Cleaned for oxygen service
 - Back connection*
 - Front flange*
 - U-clamp bracket*

*Not available with padded carrying pouch

Dimensions



Size		A	B	C	D	E	G	H	J	M	N	P	R	S	T	W	Weight
4"	mm	110	87	49.5	100	15.5	81	30	4.8	132	116	125	110	15		22	dry
	in	4.30	3.43	1.95	3.94	0.61	3.19	1.18	0.19	5.20	4.57	4.92	4.33	0.59	1/2"	0.87	1.25 lb.

Recommended panel cutout is dimension D + 1 mm

Ordering information

State computer part number (if available) /type number/size/range/connection size and locations/options required. WIKA reserves the right to make changes without prior notice.

Ordering information

Pressure gauge model / Nominal size / Scale range / Size of connection / Optional extras required.
Specifications and dimensions given in this leaflet represent the state of engineering at the time of printing.
Modifications may take place and materials specified may be replaced by others without prior notice.



WIKA Instrument, LP
1000 Wiegand Boulevard
Lawrenceville, GA 30043-5868
Tel: 888-WIKA-USA • 770-513-8200
Fax: 770-338-5118
E-Mail: info@wika.com
www.wika.com