



BRADFORD WHITE[®]
W A T E R H E A T E R S

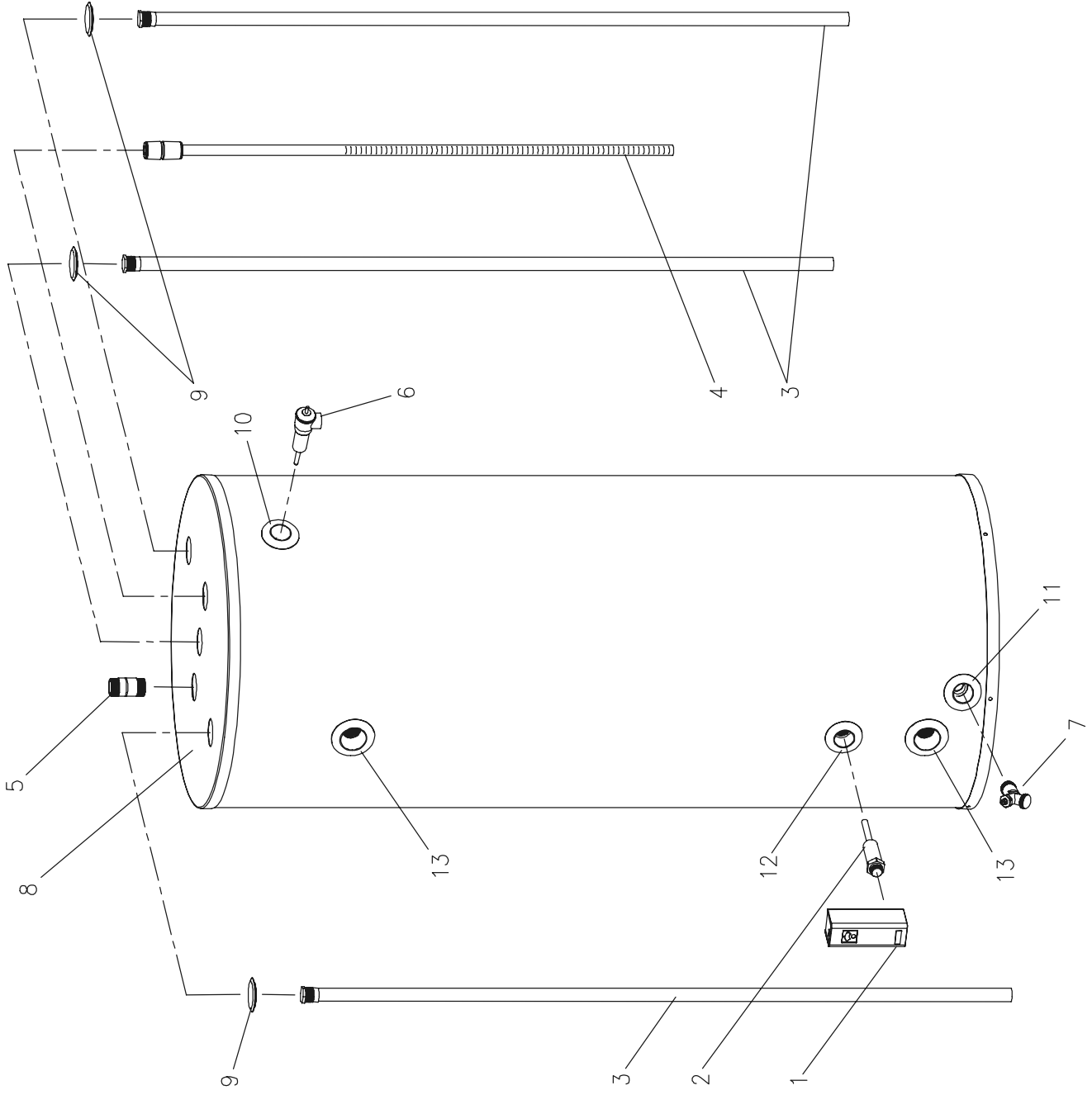
INDIRECT HEATER REPLACEMENT PARTS LIST
Single Wall Indirect (SW) Models



Effective: March, 2008
ECO 7294

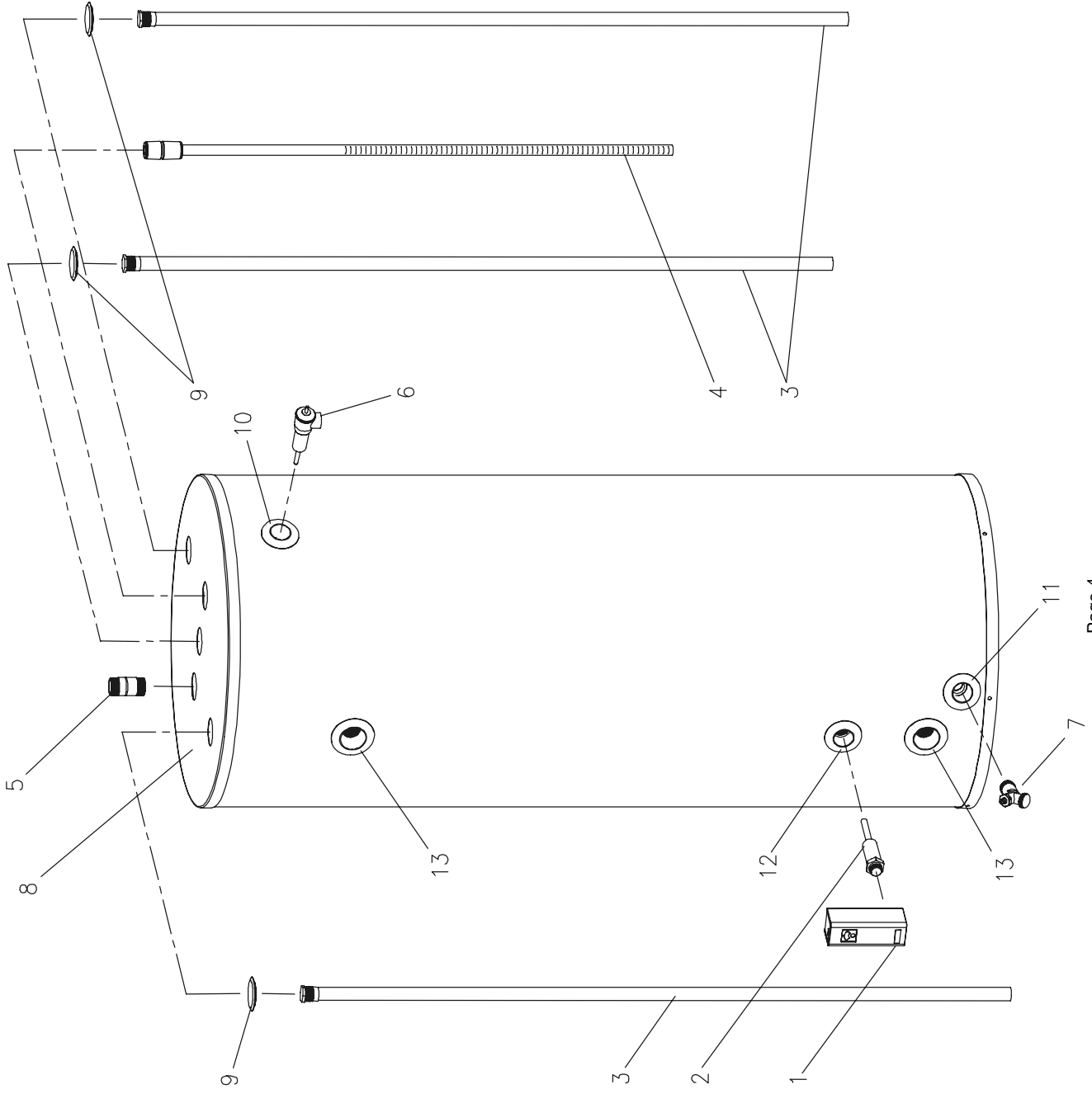
**NOTE: BOTH MODEL AND SERIAL
NUMBERS ARE REQUIRED FOR
ORDERING REPLACEMENT PARTS**

Dimensions and specifications
subject to change without notice.



Item	Description	Model SW-2-30-L	Model SW-2-40-L	Model SW-2-40R-L	Model SW-2-50-L	Model SW-2-50R-L	Model SW-2-65-L
1	Aquastat	233-43381-00	233-43381-00	233-43381-00	233-43381-00	233-43381-00	233-43381-00
2	Aquastat Well	233-43315-00	233-43315-00	233-43315-00	233-43315-00	233-43315-00	233-43315-00
3	Anode-Hex Plug type (aluminum)	224-38508-06	224-38508-06	224-38508-06	224-38508-06	224-38508-03	224-38508-07
4	Cold Water Inlet Dip Tube (Polysulfone)	229-39628-02*	229-39628-02*	229-39628-04	229-39628-02*	229-39628-06	229-39628-10*
5	Hot Water Outlet Nipple	229-43386-01*	229-43386-01*	229-43386-01	229-43386-01*	229-43386-01	229-43386-01*
6	T&P Relief Valve	230-40594-02	230-40594-02	230-40594-02	230-40594-02	230-40594-02	230-40594-02
7	Brass Drain Valve	227-42351-02	227-42351-02	227-42351-02	227-42351-02	227-42351-02	227-42351-02
8	Jacket Head	243-45259-01	243-44974-01	243-45259-01	243-44974-02	243-45259-01	243-45259-01
9	Hole Closure	239-31547-02	239-31547-02	239-31547-02	239-31547-02	239-31547-02	239-31547-02
10	Escutcheon	239-41337-00	239-41337-00	239-41337-00	239-41337-00	239-41337-00	239-41337-00
11	Escutcheon	239-41337-00	239-41337-00	239-41337-00	239-41337-00	239-41337-00	239-41337-00
12	Escutcheon	239-41337-00	239-41337-00	239-41337-00	239-41337-00	239-41337-00	239-41337-00
13	Escutcheon	239-43303-00	239-43303-00	239-43303-00	239-43303-00	239-43303-00	239-43303-00

* Nipple extender 229-19100-00 may be required for earlier models, please provide serial number.



Item	Description	Model	Model	Model	Model	Model	Model
		SW-2-80-L	SW-2-120-L	SW-65C-5	SW-80C-5	SW-120C-5	
1	Aquastat	233-43381-00	233-43381-00	233-43381-00	233-43381-00	233-43381-00	233-43381-00
2	Aquastat Well	233-43315-00	233-43315-00	233-43315-00	233-43315-00	233-43315-00	233-43315-00
3	Anode-Hex Plug type (aluminum)	224-38508-07	224-38508-07	224-38508-07	224-38508-07	224-38508-07	224-38508-07
4	Cold Water Inlet Dip Tube (Polysulfone)	229-39628-10*	229-43632-04	229-43632-01	229-43632-01	229-43632-04	229-43632-04
5	Hot Water Outlet Nipple	229-43386-01*	229-43386-03	229-43386-02	229-43386-02	229-43386-03	229-43386-03
6	T&P Relief Valve	230-40594-02	230-40594-02	230-33630-04	230-33630-04	230-33630-04	230-33630-04
7	Brass Drain Valve	227-42351-02	227-42351-02	227-42351-02	227-42351-02	227-42351-02	227-42351-02
8	Jacket Head	243-44974-01	243-43322-01	243-45259-02	243-43321-02	243-43322-01	243-43322-01
9	Hole Closure	239-31547-02	239-31547-02	239-31547-02	239-31547-02	239-31547-02	239-31547-02
10	Escutcheon	239-41337-00	239-41337-00	239-81470-02	239-81470-02	239-81470-02	239-81470-02
11	Escutcheon	239-41337-00	239-41337-00	239-41337-00	239-41337-00	239-41337-00	239-41337-00
12	Escutcheon	239-41337-00	239-41337-00	239-41414-00	239-41414-00	239-41414-00	239-41414-00
13	Escutcheon	239-43303-00	239-43303-00	239-43303-00	239-43303-00	239-43303-00	239-43303-00

* Nipple extender 229-19100-00 may be required for earlier models, please provide serial number.

NOTES



BRADFORD WHITE[®]

W A T E R H E A T E R S

Ambler, PA

For U.S. and Canada field service,
contact your professional installer or
local Bradford White sales representative.

Sales/800-523-2931
Fax/215-641-1670
Parts Fax/215-641-2180

Technical Support/800-334-3393
Fax/269-795-1089

Warranty/800-531-2111
Fax/269-795-1089

International:
Telephone/215-641-9400
Telefax/215-641-9750



BRADFORD WHITE-CANADA[®] INC.

Mississauga, ON

Sales/866-690-0961
905-238-0100

Fax/905-238-0105

Technical Support/800-334-3393

Email

parts@bradfordwhite.com
techserv@bradfordwhite.com

www.bradfordwhite.com