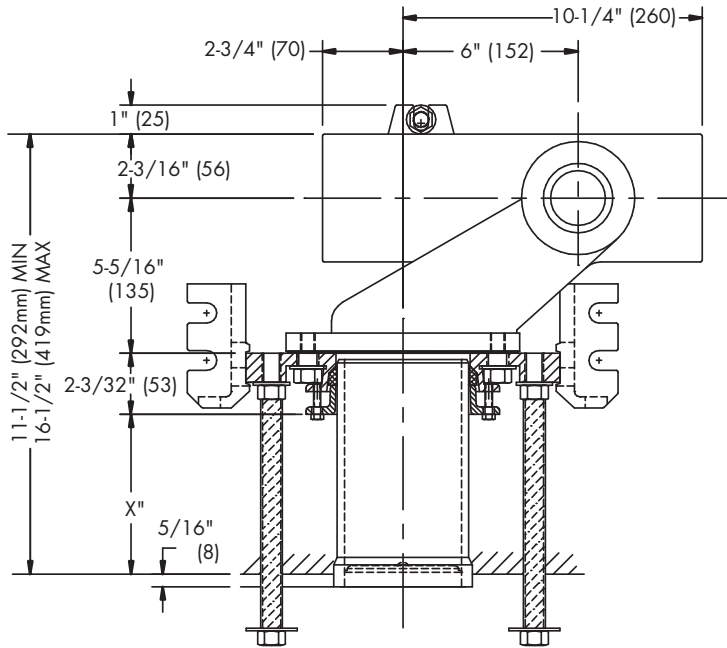




**ISCA-101-L/R**  
Tag: \_\_\_\_\_

**Industry Standard  
Single Horizontal  
Adjustable Closet Carrier**

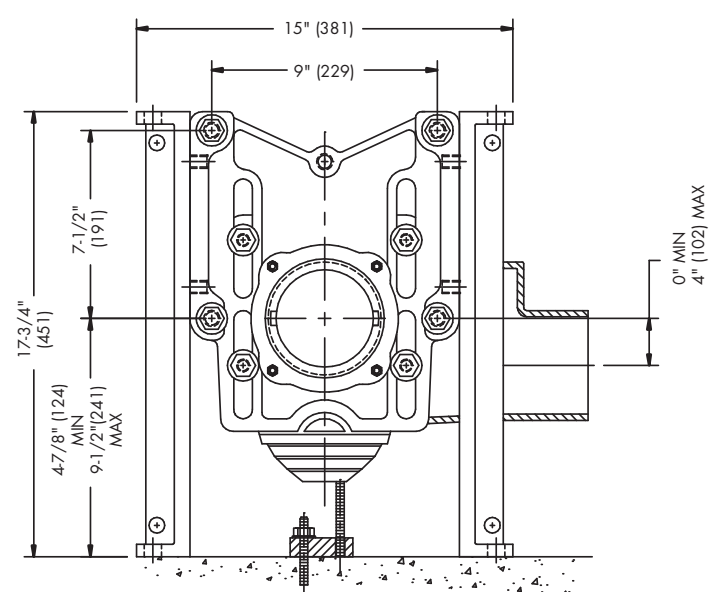
**SPECIFICATION:** Watts Drainage Products ISCA-101-L/R *Industry Standard* single horizontal adjustable water closet carrier with epoxy coated cast iron fitting, 4"(102) no hub waste and 2"(51) no hub vent connections, epoxy coated cast iron patent pending compression seal faceplate assembly, epoxy coated cast iron foot supports adjustable for standard and wheelchair height, adjustable ABS nipple with integral test cap and neoprene bowl gasket, plated hardware and chrome cap nuts.



Options (Select One or More)	
Suffix	Description
-36	36" Long Barrel Fitting <input type="checkbox"/>
CA-100-EXT	Aux. Support System w/Extended Nipple <input type="checkbox"/>
-HS	Hub & Spigot Connection <input type="checkbox"/>
-M1	ABS Extended Nipple (Up to 24") <input type="checkbox"/>
-M11	Tiling Frame <input type="checkbox"/>
-M20	Flush Valve Support <input type="checkbox"/>
-XH	Extra-Heavy 500lb. Carrier (ASME A112.6.1M) with 3/4" - 10" Stainless Steel Studs <input type="checkbox"/>

**Notes:**  
Siphon jet (4 bolt) arrangement shown. Invert faceplate assembly for blow-out (3 bolt) bowls.  
Anchor legs to concrete floor with minimum 1/2" (13) anchor bolts (by others).

**X = 5-3/4" (146) Maximum with Standard Nipple**



**Note:**  
Left hand carrier shown; right hand carrier is mirror image.

Job Name \_\_\_\_\_ Contractor \_\_\_\_\_  
 Job Location \_\_\_\_\_ Contractor's P.O. No. \_\_\_\_\_  
 Engineer \_\_\_\_\_ Representative \_\_\_\_\_

WATTS Drainage reserves the right to modify or change product design or construction without prior notice and without incurring any obligation to make similar changes and modifications to products previously or subsequently sold. See your WATTS Drainage representative for any clarification. Dimensions are subject to manufacturing tolerances.



**Specification Drainage Products** USA: 100 Watts Road, Spindale, NC, 28160-2298; TEL: 828-288-2179 TOLL-FREE: 1-800-338-2581 www.watts.com