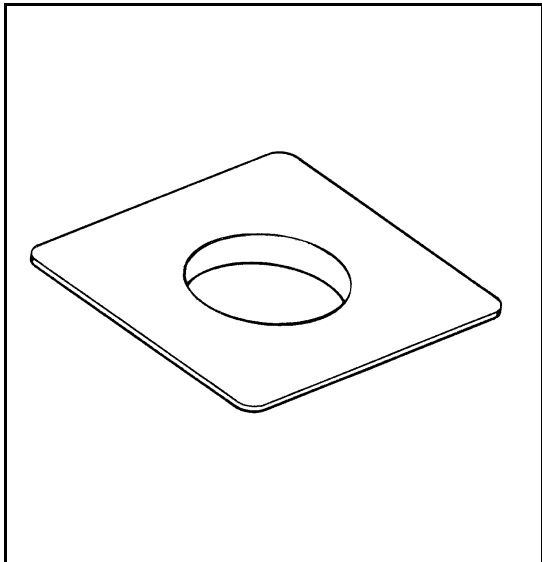


# Specialty Products™



## SPECIFICATION

Furnish and install Stabilizer as manufactured by LSP Products Group/Specialty Products.

## DESIGN FEATURES

- Ideal for wooden floor or concrete slab applications.
- Prevents bend or riser from moving to eliminate water closet rocking.

## COMPLIANCES/LISTINGS

- IAPMO File #0841



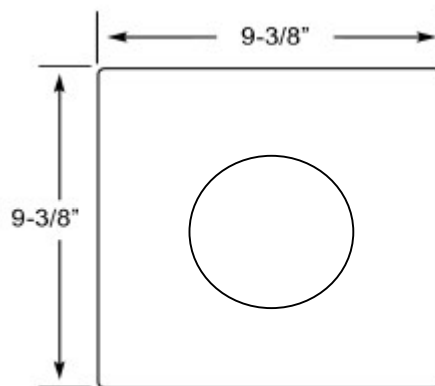
3689 Arrowhead Drive, Carson City, NV 89706  
 Phone (800) 854-3215 Fax (800) 243-1777  
 E-mail sales@lspproducts.com Website www.lspproducts.com

Content matter is subject to change at any time. It is the user's responsibility to ensure the most updated revisions are obtained.

SP/S-2028 (03-02) Rev 1

## STABILIZER Specification Sheet

PART NO.	DESCRIPTION	MSTR CTN QTY/LBS
P-3006	4" Flush	75/26



Product Submittal	
Job Name	
Date	
Part Number	Quantity
Architect	
Contractor	