

FEATURES & BENEFITS

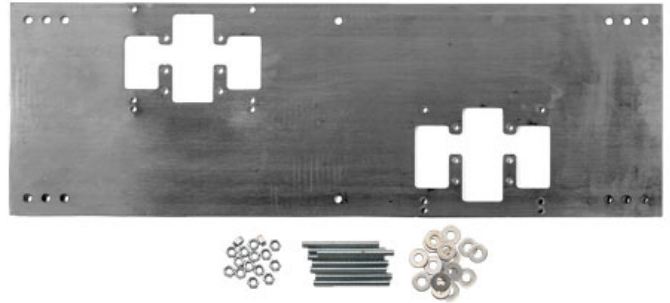
MOUNTING

3/16" (.47 cm) steel pre-drilled and threaded mounting plate along with all-thread studs, nuts, and washers provides the maximum support and facilitates easy installation for many Haws 'Hi-Lo' bubbler fountains.

OPTIONS

- Support Carrier: Model 6800 universal in-wall mounting support for use with most fountains.

To see all options for this model, visit www.hawSCO.com

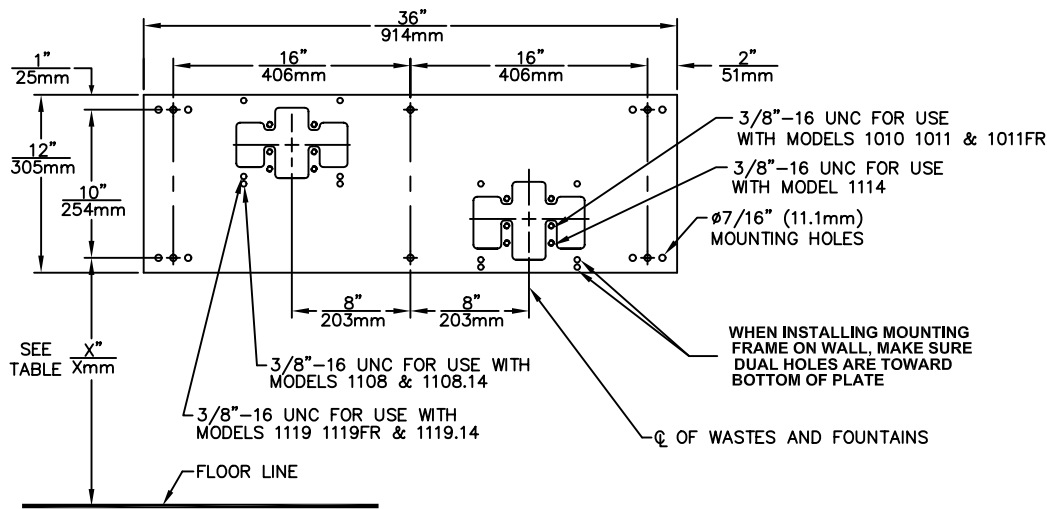


SPECIFICATIONS

Model 6700.4 'Hi-Lo' universal mounting plate shall include a 3/16" (.47 cm) steel pre-drilled and threaded mounting plate along with all-thread studs, nuts, and washers for use with many Haws dual bubbler fountains

APPLICATIONS

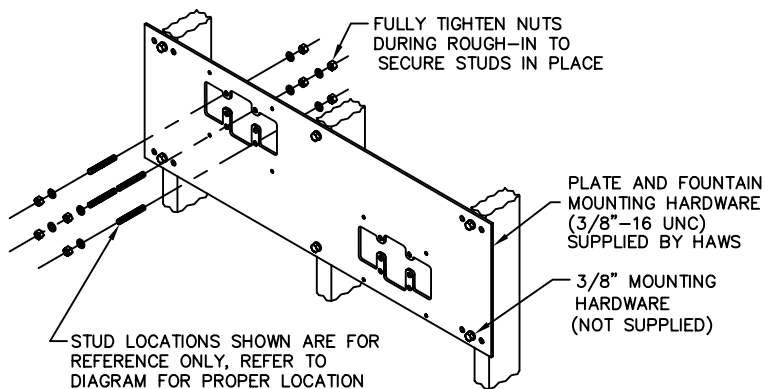
Haws produces mounting plates and frames to assist in the installation process as well as to provide solid bases for the wall mounted designed fountains. Mounting plates and frames meet the requirements solely for the specified applicable fountains and are not designed to be used in the installation of any unspecified fountain.



DIMENSION	MODEL	
"X"	25-1/2"[648mm]	
LOWER SUPPLY	28-3/4"[730mm]	
LOWER WASTE	27-7/8"[708mm]	
UPPER SUPPLY	33-3/4"[857mm]	
UPPER WASTE	32-7/8"[835mm]	

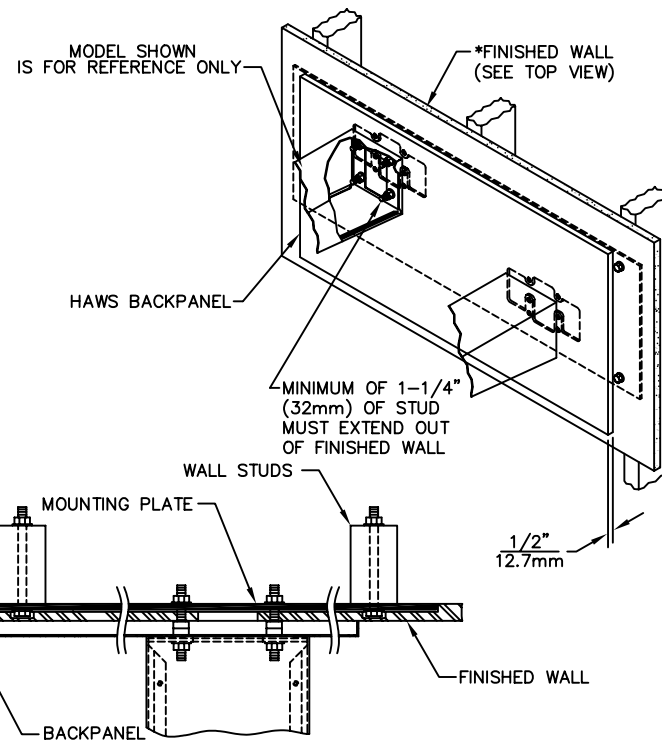
DIMENSION	MODEL	
"X"	27-5/8"[702mm]	27-5/8"[702mm]
LOWER SUPPLY	29-5/8"[752mm]	29-5/8"[752mm]
LOWER WASTE	30-3/4"[781mm]	30-3/4"[781mm]
UPPER SUPPLY	35-3/8"[905mm]	35-3/8"[905mm]
UPPER WASTE	36-1/2"[927mm]	36-1/2"[927mm]

DIMENSION	1011FR	1119FR
"X"	25-1/2"[648mm]	27-5/8"[702mm]
SUPPLY	SEE FREEZE VALVE ROUGH-IN	SEE FREEZE VALVE ROUGH-IN
WASTE	SEE FREEZE VALVE ROUGH-IN	SEE FREEZE VALVE ROUGH-IN



USE QTY 2 RUBBER SPACERS (SUPPLIED WITH BACK PANEL) ON EACH BOLT TO PROVIDE BACK PANEL SUPPORT.

*FINISH WALL OVER MOUNTING PLATE AND BEHIND BACKPANEL, MAKE SURE THAT FINISHED WALL EXTENDS WITHIN THE BRACKET/BOWL MOUNTING HOLES (TO PROVIDE SURFACE AREA FOR RUBBER SPACERS TO CONTACT).



TOP VIEW

CAUTION
REGARDING CONCRETE/MASONRY WALL MOUNTING: DO NOT SECURE MOUNTING PLATE TO SAME SIDE OF WALL AS FOUNTAIN. AVOID COMPROMISING INTEGRITY OF WALL WHEN ANCHORING FOUNTAIN. IT IS RECOMMENDED THAT INSTALLER CALL TECHNICAL SUPPORT IF THERE ARE ANY QUESTIONS AS TO HOW TO OBTAIN A PROPER ANCHOR IN CONCRETE/MASONRY WALLS. 1-800-766-5612

Haws
corporation

1455 KLEPPE LANE
SPARKS, NEVADA 89431
(775) 359-4712 FAX (775) 359-7424
E-MAIL: HAWS@HAWS.CO.COM
WEBSITE: WWW.HAWS.CO.COM

ECN NO.	REVISED PER ECN: 4423	BY: HM	CHKD:	MODEL(S):	PART NUMBER:
DRAWN: C.J.L.	DATE: 04/29/93			6700.4 MOUNTING PLATE, DUAL	0002080023
APPROVED:	DATE:			INFO FAX DOC #: 267004	DRAWING NUMBER: 10750C00
				SCALE: 1:13	DRAWING TYPE: INSTALLATION/FAXBACK
					SIZE: A SHEET 1 OF 1