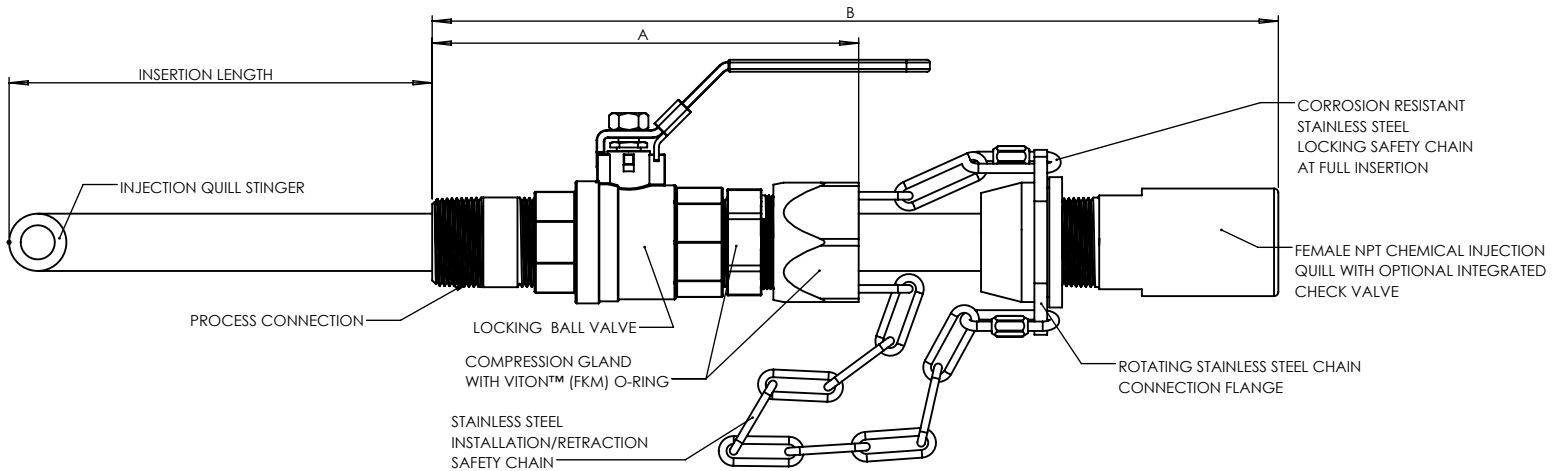




QR-1B SERIES

Retractable Injection Quills with 1" Lead-Free Brass Valves



Overview

Koflo® retractable-style chemical injection quills allow for quick, safe, and easy quill removal without the need for depressurizing the process line. QR-1B series quills include a 1" lead-free brass ball valve with locking valve handle for process line isolation after quill retraction.

The QR-1B series can be configured with an injection quill material suitable for your chemistry (see Configuration Options) and custom insertion lengths for optimal injection location. QR-1B series units are offered with 1/2", 3/4", and 1" inlet connection options.

The included stainless steel safety and retraction chains ensure operator safety while installed and during quill removal.

All wetted components are lead-free.

Technical Specs

BALL VALVE

1" Lead-Free Brass

PRESSURE RATING

150 PSI

CHECK VALVE

Optional spring-loaded check valve with Hastelloy® C-276 spring, ceramic ball, and o-ring seal. The differential pressure required to open the valve ("Cracking Pressure") is 5 psi.

VALVE LENGTH (A)

1/2" Inlet : 7"
3/4" Inlet : 7"
1" Inlet : 6.25"

INSTALLED LENGTH (B)

1/2" Inlet : 13.1"
3/4" Inlet : 13.1"
1" Inlet : 12.4"

EXTRACTED LENGTH*

1/2" Inlet : Insertion Length + 20.1"
3/4" Inlet : Insertion Length + 20.1"
1" Inlet : Insertion Length + 18.7"
**Total length of unit at full extraction.*

SOLUTION TUBE OD

1/2" Inlet : 0.54"
3/4" Inlet : 0.68"
1" Inlet : 0.84"

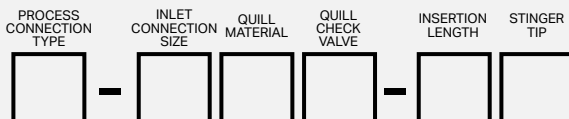
SOLUTION TUBE ID

PVC & PVDF Quills
- 1/2" Inlet : 0.30"
- 3/4" Inlet : 0.42"
- 1" Inlet : 0.55"
Stainless & Hastelloy Quills
- 1/2" Inlet : 0.36"
- 3/4" Inlet : 0.49"
- 1" Inlet : 0.62"

CONFIGURATION OPTIONS

Model Code

QR-1B



(BLANK) - 1" MALE NPT
Standard configuration
C - 1" CC (AWWA)
B - 1" BSPT

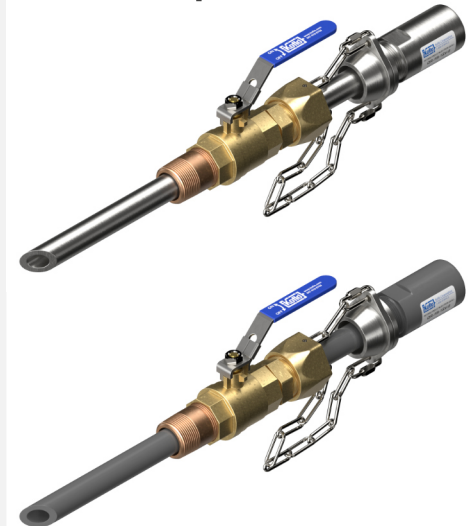
.5 - 1/2" FEMALE NPT
.75 - 3/4" FEMALE NPT
1 - 1" FEMALE NPT

P - PVC
K - KYNAR® PVDF
S - 316/L STAINLESS STEEL
H - HASTELLOY® C-276

V - VITON™
E - EPDM
K - KALREZ® 6375
NC - NO INTEGRATED CHECK VALVE

(BLANK) - 45 DEGREE BEVEL
Standard Configuration
S - STRAIGHT CUT

- INSERTION LENGTH (INCHES)
All insertion lengths are custom to order



Example Model Codes	Description
QR-1B-1PV-8	1" Male NPT Process Connection 1" PVC Quill with FNPT Inlet Connection Viton™ Check Valve 8" Insertion Length, 45 Degree Beveled Tip
QR-1BC-.75SE-10S	1" Male CC (AWWA) Process Connection 3/4" 316/L Quill with 3/4" FNPT Inlet Connection EPDM Check Valve 10" Insertion Length, Straight Cut Tip

NOTES

The risk of damage to the solution tube when installed into flowing service increases with both solution tube length and process flow velocity. Consult the factory for a maximum recommended insertion length for your process