

PART/PRINT #:

PART DESCRIPTION:

SCALE:

REVISION:

DATE:

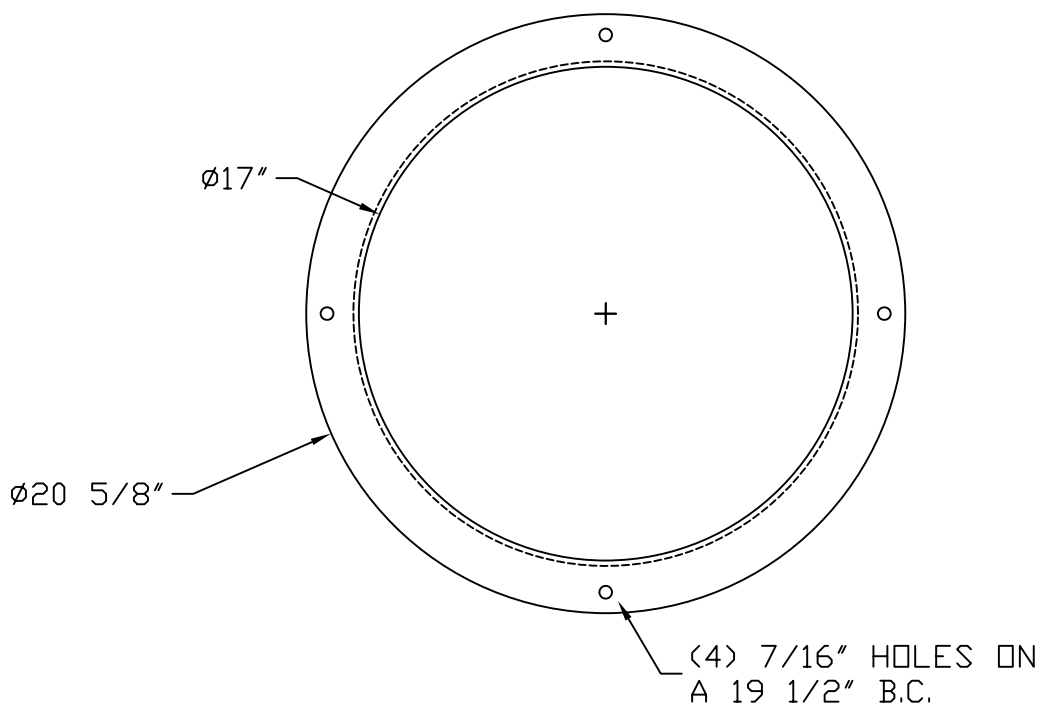
AKP10270

POLYETHYLENE EXTENSION 18 X 6"

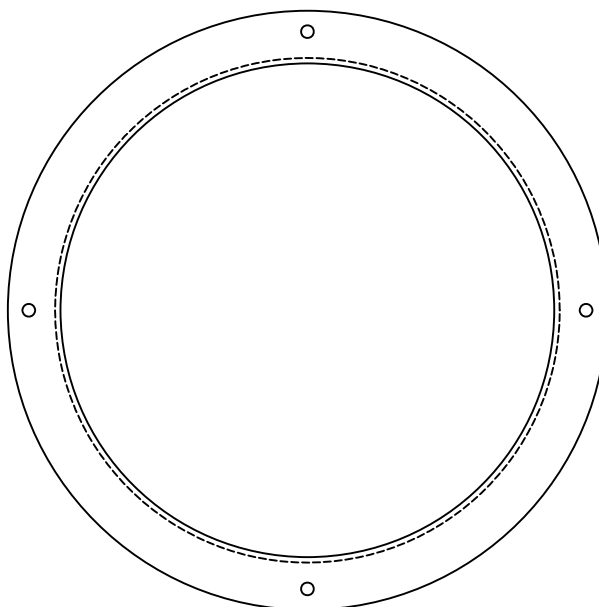
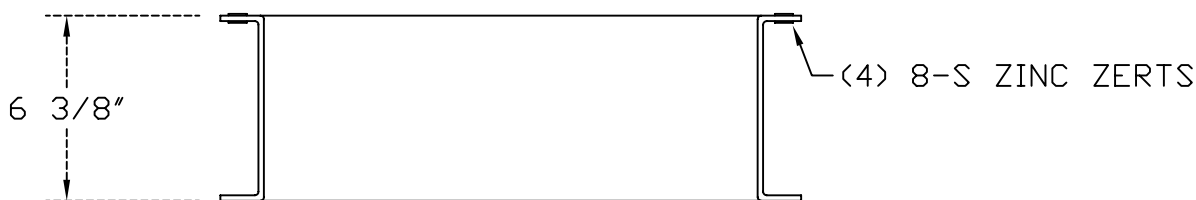
NOT TO SCALE

004

2/6/03



NOTES:
4 ZERTS ARE INCLUDED ON TOP FLANGE



B.O.M.

AKP10506 GASKET PACK/EXTENSION/4 BOLT

AKR50900 8-S ZINC ZERTS



AK INDUSTRIES INC.
2055 PIDCO DR.
PLYMOUTH, IN. 46563
PHONE: (574) 936-6022

DRAWN BY:
M. OLIVAREZ

TOLERANCE:
 ± 0.250 UNLESS SPECIFIED OTHERWISE

SIGNATURE:

THIS DRAWING IS THE SOLE PROPERTY OF AK INDUSTRIES INC.