

PART/PRINT #:
AKP38040

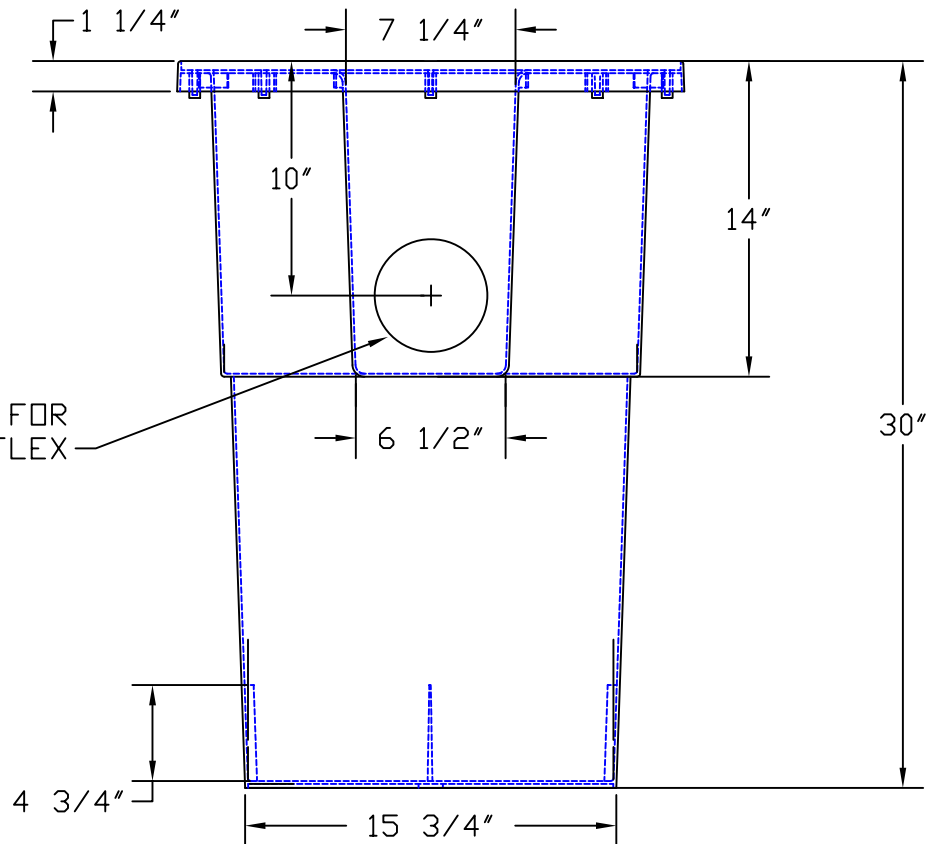
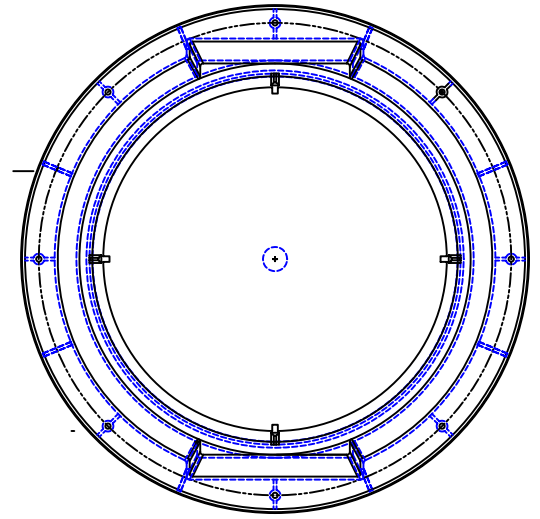
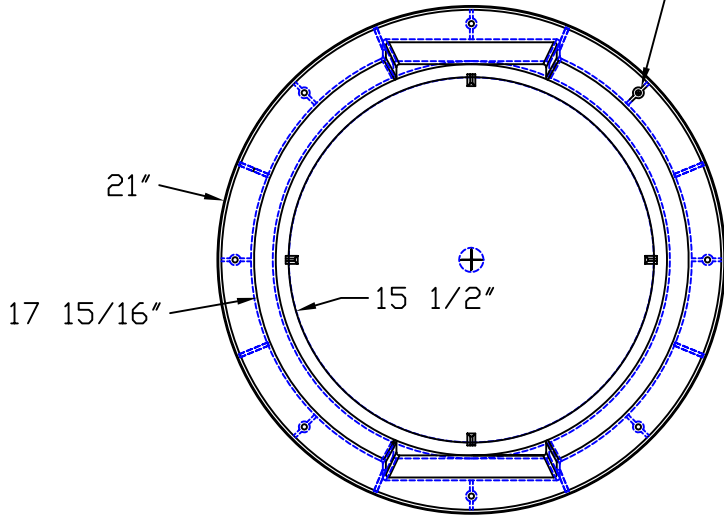
PART DESCRIPTION:
POLYPRO BASIN 18X30 (1) 4" AAF (LOOSE)

SCALE:
NOT TO SCALE

REVISION:
002

DATE:
9/2/03

(8) 3/16" PILOT HOLES ARE SET ON A 19 1/2" DIAMETER



THIS DRAWING IS THE SOLE PROPERTY OF AK INDUSTRIES INC.

B.O.M
AKR100035 PRO 18X30
AKP10111 4" SCH 40 ADAPTAFLEX W/RETAINING RING



AK INDUSTRIES INC.
 2055 PIDCO DR.
 PLYMOUTH, IN. 46563
 PHONE: (574) 936-6022

DRAWN BY:
M. OLIVAREZ

TOLERANCE:
± 0.0312 UNLESS SPECIFIED OTHERWISE

SIGNATURE: