



RSES

Wastewater

Goulds Pumps

Sump, Effluent and Sewage
REPAIR PARTS

Engineered for life

Index

SUMP, EFFLUENT AND SEWAGE

DVP (obsolete pump).....	3
PVP03.....	4
CVP03	5
ST	6
SPBB	7
PE	8
3871 (EP04 & EP05).....	9
PS 41/51	10
PV51 - Vortex.....	11
3872 (WW05).....	12
1/2DM, 1/2DV	13
1DW	14
2DW	15
1SC and SE	16
3885 (WE _ _ _ L, M, H, HH)	18
2ED	20
3886/3887 (WS _ B, BF, BHF)	22
3887BF (WS _ BF)	24
3887BHF (WS _ _ _ BHF)	25
2WD/3WD (1725).....	26
2WD/3WD (3500).....	28
3888D3/D4 (WS _ _ _ D3, D4)	30
3SD/4SD	30
3SDX/4SDX.....	32
1GD.....	34
4NS/4XD.....	36
RG52012	38
1GA/2GA	39
Submersible Vortex.....	40
Control Panel Repair Parts.....	41
Oil Volumes	43
A10-12, A10-2015 and A10-20	44

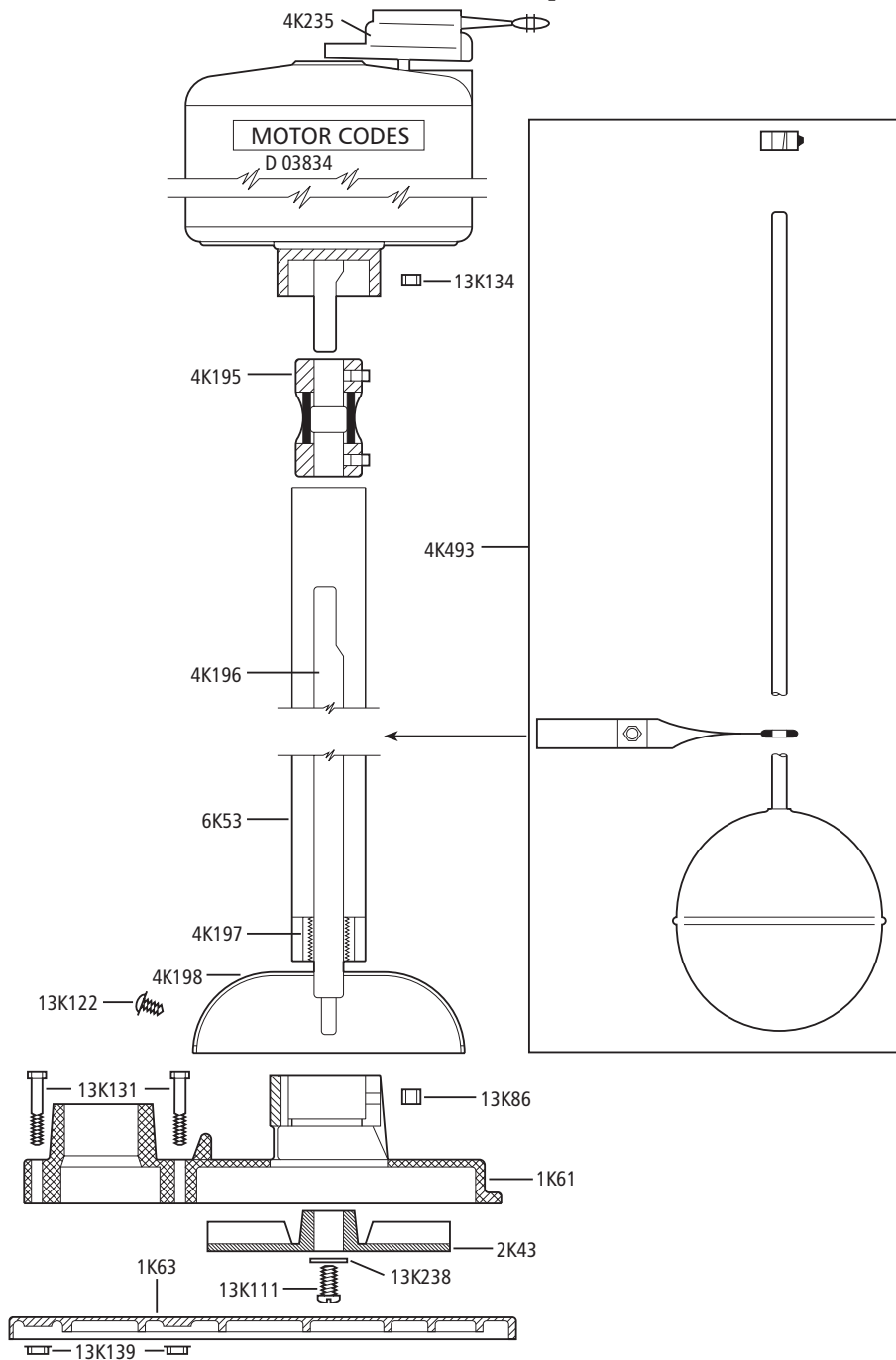
4K432 OIL SPECIFICATION:
5 gallon can of ASTM 150 Turbine Oil

COMPARABLE BRAND NAMES:

Sunoco	Sunvis 932
Mobil	DTE Light
Texaco	Regal R&O 32
Shell	Turbo 32
Gulf	Harmony 32
Amoco	Am. Industries Oil 32
Exxon	Nuto 32
Chevron	GST 32

Note: Repair Motor List Prices are in the "K", "L" and Numeric Repair Part Price Book.

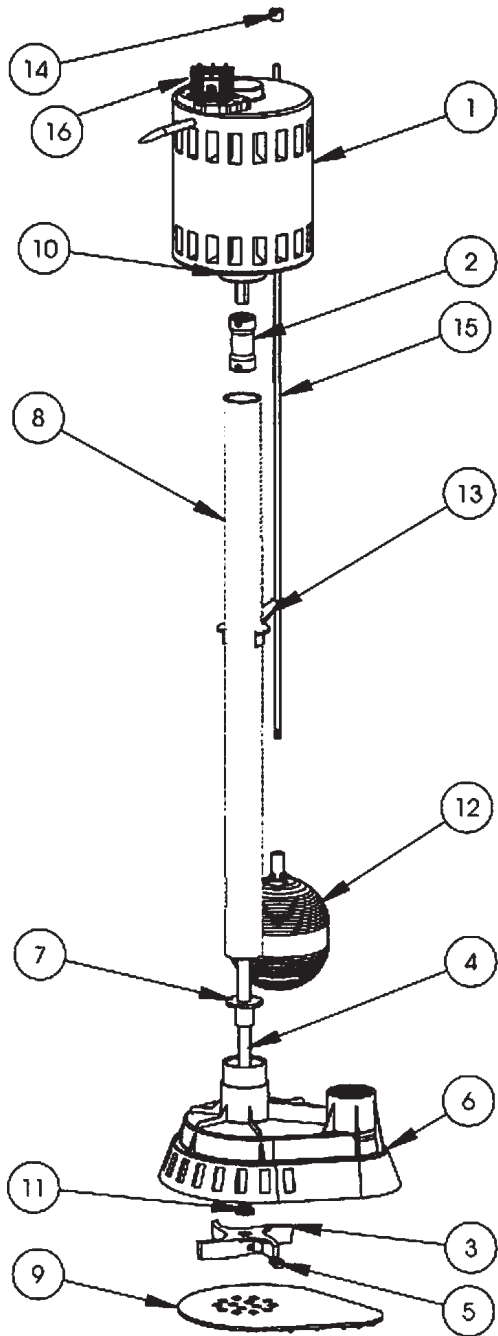
MODEL DVP (OBSOLETE) – Replace with CVP03 or PVP03



Part No.	Part Name
1K61	Casing - Obsolete - No replacement
1K610	
1K63	
2K43	Impeller
4K195	Coupling
4K196	Shaft
4K197	Bearing spider assembly
4K198	Suction strainer (obsolete, no replacement)
4K493	Float rod repair kit
4K235	Replacement switch
6K53	Column pipe with bearing
13K86	Set screw – casing $\frac{3}{16}$
13K238	Impeller washer
13K111	Impeller bolt
13L122	Screw – strainer
13K131	Bolt – base to casing
13K134	Set screw – column $\frac{1}{4}$
13K139	Flanged locknut

*Motor D03837–no longer available.

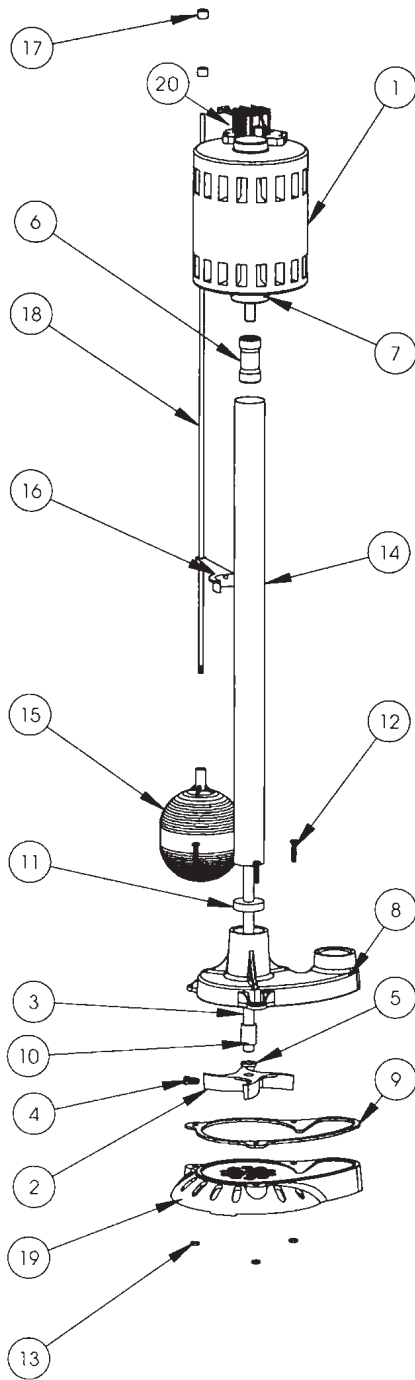
MODEL PVP03



Item Number	Part Number	Description	Quantity Required
1	3501000	Motor 1/3 HP with switch and cord	1
2	3513000	Coupling, 1/2 flexible	1
3	3511000	Impeller, CI	1
4	3523000	Shaft 304SS 1/2 X 23 3/8	1
5	3507000	Set screw 5/16" - 18 X 1/2" SST sq. hd.	1
6	NA	Housing, PVC	1
7	NA	Bearing nylatron	1
8	NA	Column, PVC 1 1/2 X 24 X .140	1
9	NA	Baseplate, PVC	1
10	3506000	Set screw 1/4 - 20 X 1/4 hex	3
11	3516000	Seal, cork, 1/2 X 3/4 X 1/8	1
12	3519000	Float ball	1
13	3518000	Float rod guide	1
14	3521000	Float rod stop	2
15	3520000	Float rod	1
KITS			
6, 7, 8	NA	Housing assembly and column with bearing	1 Kit
12, 13, 14, 15	3524000	Kit: float rod, ball, guide, rod stops (2)	1 Kit
16	3527000	Switch kit	1 Kit

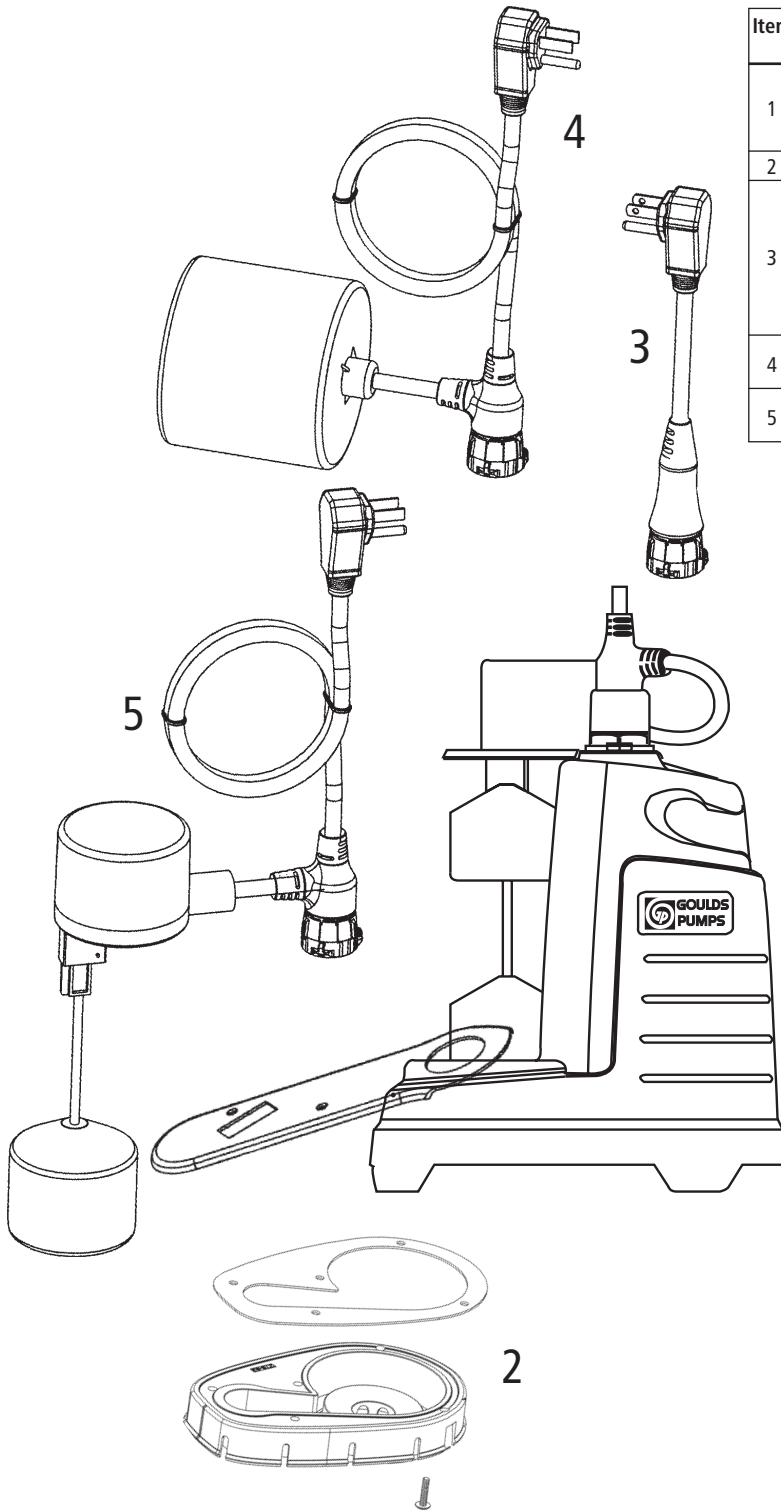
NA = No longer available

MODEL CVP03



Item Number	Part Number	Description	Quantity Required
1	3501000	Motor 1/3 HP with switch & cord	1
2	3511000	Impeller, cast iron	1
3	3523000	Shaft 304SS 1/2 X 23 7/8	1
4	3507000	Set screw 5/16" - 18 X 1/2" SST sq. hd.	1
5	3516000	Seal, cork, 1/2 X 3/4 X 1/8"	1
6	3513000	Coupling, 1/2 Flexible	1
7	3506000	Set scr 1/4 - 20 X 1/4 hex	3
8	3509000	Housing, cast iron, blue	1
9	3517000	Gasket, base	1
10	3514000	Bearing, pdrmtl .5 X. 75 X 1"	1
11	3515000	Washer, felt .5 x 1.5 x .375"	1
12	3508000	Screw 10-24 X 1 PH HD SS	3
13	3505000	Nut 10-24 Hex SS	3
14	3512000	Column, steel 1.5 x 24 x .049"	1
15	3519000	Float ball	1
16	3518000	Float rod guide	1
17	3521000	Float rod stop	2
18	3520000	Float rod	1
19	3510000	Base, cast iron black	1
KITS			
8, 10, 11, 14	3522000	Housing assembly & column with bearing	1 Kit
15, 16, 17, 18	3524000	KIT; float rod, ball, guide, rod stops (2)	1 Kit
20	3527000	Switch kit	1 Kit

MODEL ST



Item	Part Name	Description	Part No.
1	1/5 HP Motor Assembly- 115 Volt	Motor, Seal Housing,	15K26
	1/2 HP motor Assembly- 115 Volt	Receptacle, Jam Nut, O-Ring,	15K28
	3/4 HP motor Assembly- 115 Volt	Mechanical Seal, Impeller	15K29
2	Base Assembly	Base, Gasket, Screws	15K27
3	Cord Set- 115 Volt	10' Cord Set with 5-15P Nema Plug (used with piggyback float)	9K372
	Cord Set- 115 Volt	20' Cord Set with 5-15P Nema Plug (used with piggyback float)	9K375
4	Cord Set- 115 Volt and float assembly	10' Pumpmaster with bracket-cord	9K373
5	Cord Set- 115 Volt and float assembly	10' Verticalmaster with bracket- cord	9K374

MODEL SPBB/SPBB2

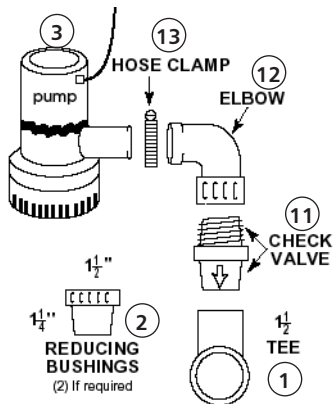


Figure 1

Item Number	Part Description	Material	Quantity Required	Repair Part SPBB	Repair Part SPBB2
1	Tee, 1 1/2" Socket	Thermoplastic	1	6K146	
2	Reducing Bushing, 1 1/2" x 1 1/4"	Thermoplastic	2	4K499	
3	Pump – 2000GPH or 3700GPH	Varies	1	9K318	9K499
4	Float Switch Assembly	—	1	9K319	
5	Fuse Holder	—	1	9K320	
6	Fuse - 15 Amps/25 Amps	—	1	9K321	9K565
7	Wire Terminals	—	1	9K322	
			1	9K323	
			2	9K324	
			3	9K325	
8	Terminals - Top Post Battery	—	2	9K326	
9	Battery Case	Thermoplastic	1	9K327	
10	Charger Assembly	—	1	9K328	
11	Check Valve - 1" MPT	Thermoplastic	1	6K147	6K174
12	Elbow - 1" FPT	Thermoplastic	1	6K148	6K175
13	Hose Clamp	—	1	4K497	
14	Pump / Switch Bracket	—	1	9K329	
15	Hose Clamp	—	1	4K498	

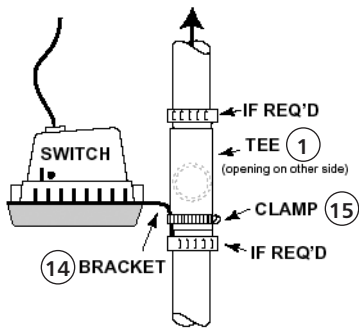


Figure 2

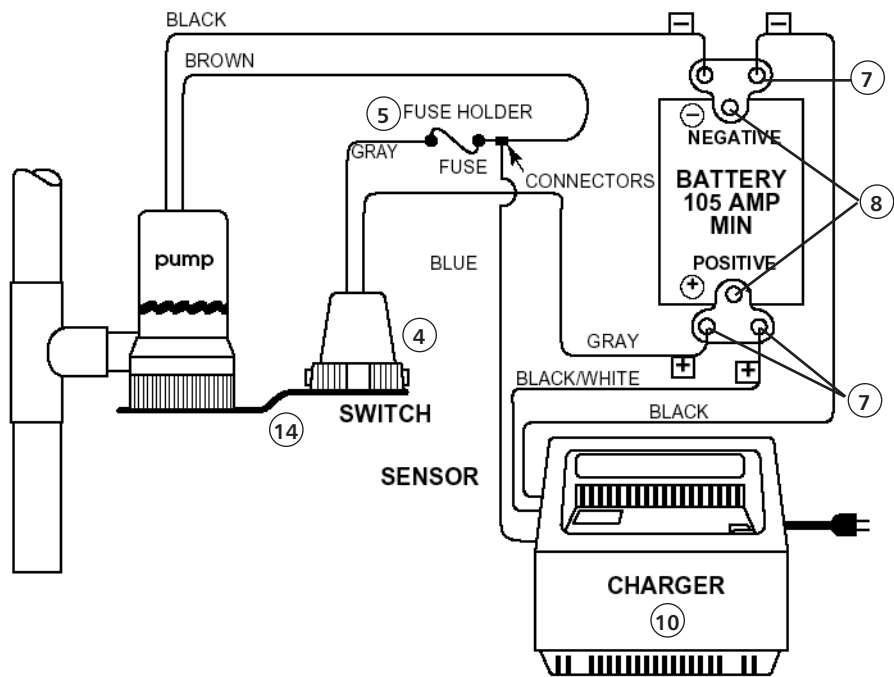


Figure 4

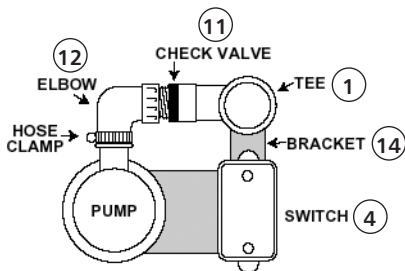
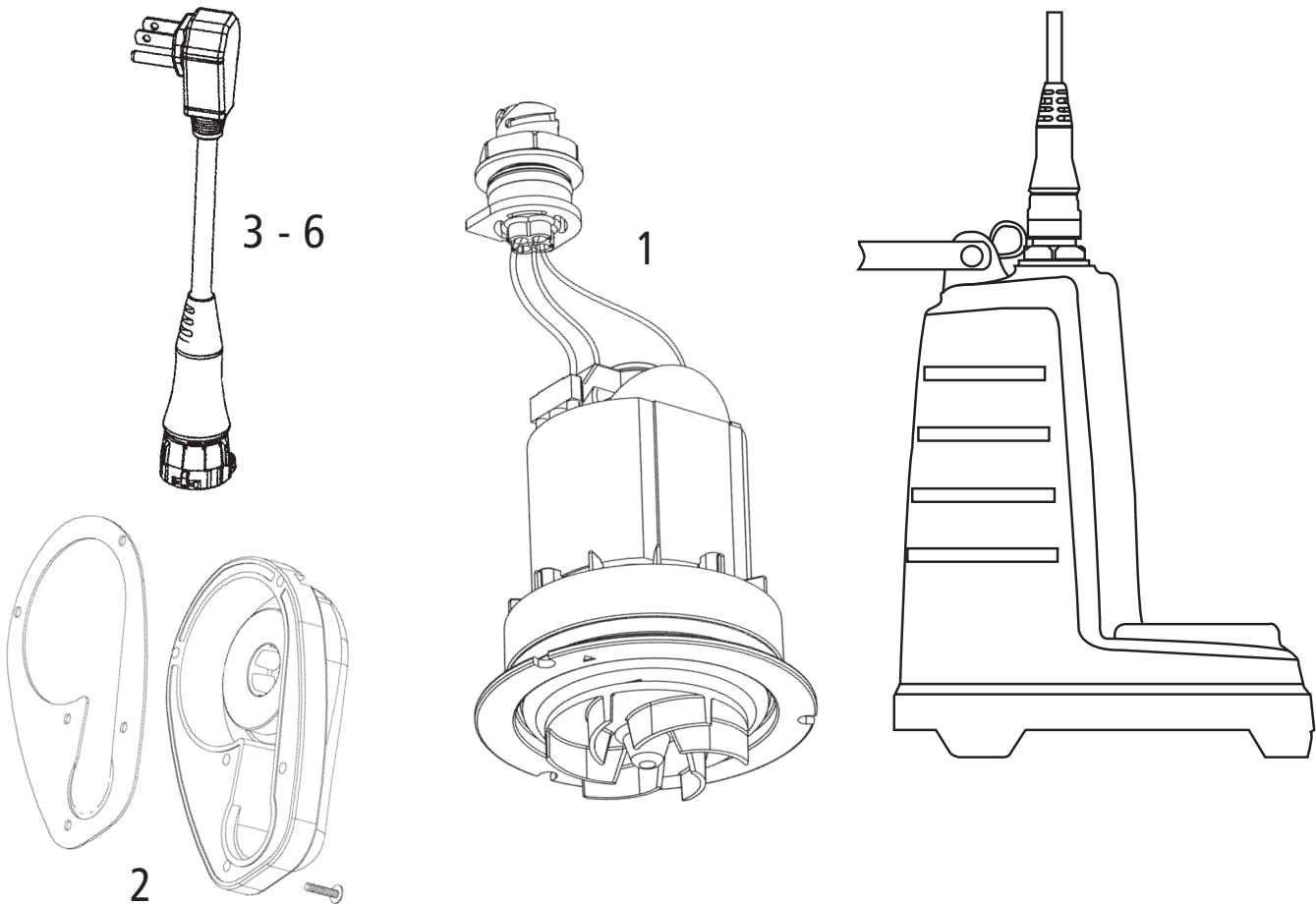


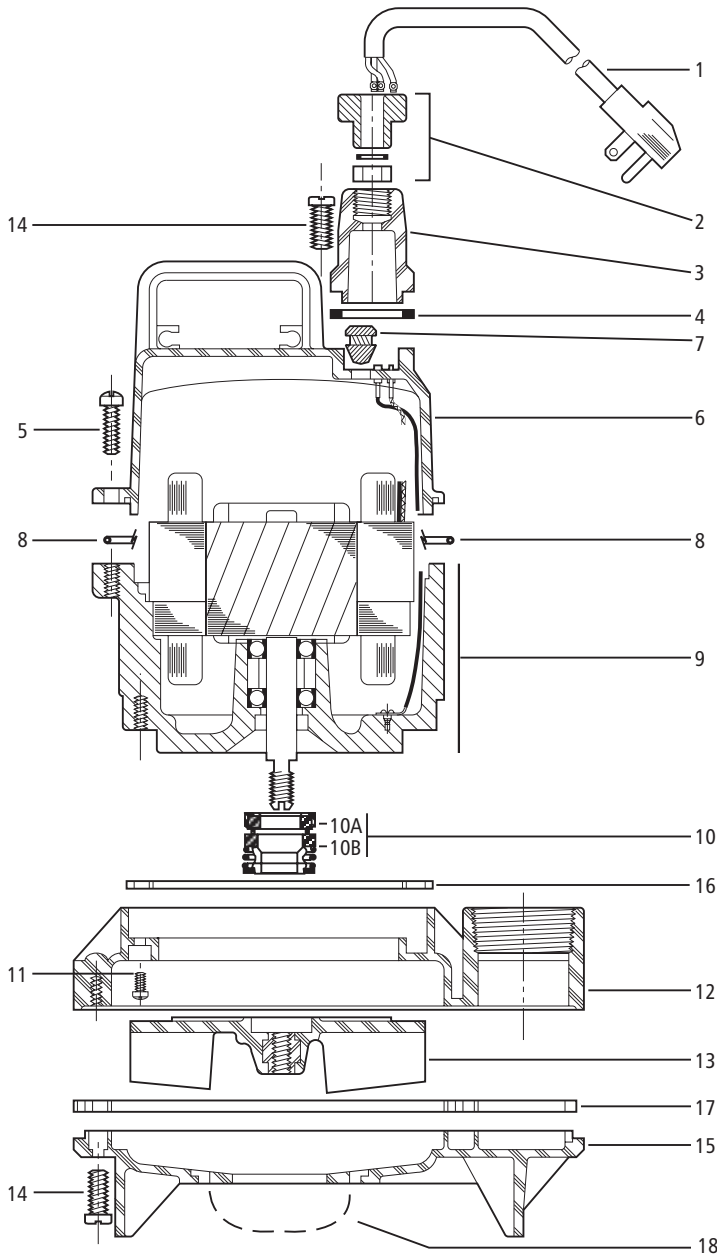
Figure 3

MODEL PE

Item Number	Part Name	Description	Repair Part Order Number
1	1/3 HP Motor Assembly – 115V	Motor, Seal Housing, Receptacle, Jam Nut, O-ring, Mechanical Seal, Impeller	15K26
	4/10 HP Motor Assembly – 115V		15K28
	1/2 HP Motor Assembly – 115V		15K29
	4/10 HP Motor Assembly – 230V		15K45
	1/2 HP Motor Assembly – 230V		15K46
2	Base Assembly	Base, Gasket, Screws	15K27
3	Cord Set – 115V	10' Manual – 115V with 5-15P Nema Plug	9K372
4		20' Manual – 115V with 5-15P Nema Plug - Standard	9K375
5		30' Manual – 115V with 5-15P Nema Plug	9K380
6		50' Manual – 115V with 5-15P Nema Plug	9K377
		30' Pumpmaster – 115V with 5-15P Nema Plug	9K446
—		Cord Set – 230V	20' Manual – 230V with 6-15P Nema Plug - Standard
—	30' Manual – 230V with 6-15P Nema Plug		9K422
—	Float Switch – 115V	10' Pumpmaster with Hardware - 115V, 13A	A2D11
		20' Pumpmaster with Hardware - 115V, 13A	A2D31
		30' Pumpmaster with Hardware - 115V, 13A	A2D51
—	Float Switch – 230V	20' Pumpmaster with Hardware - 230V, 13A	A2D32
		30' Pumpmaster with Hardware - 230V, 13A	A2D52



MODEL 3871 – EP04/EP05 Series



Item No.	Part Description	Material	Qty. Req.	Repair Part Order No.
1	10' Cord Set with Plug - 115 V	SJTOW - 16/3	1	9K207
	10' Cord Set with Plug - 230 V			9K208
	20' Cord Set with Plug - 115 V			9K209
	20' Cord Set with Plug - 230 V			9K210
	30' Cord Set with Plug - 115 V*			9K403
2	Strain Relief Assembly, Cord Set	Varies	1	5K113
3	Gland Nut Housing	Thermoplastic	1	9K226
4	O-ring - gland nut housing	Buna-N, AS 568A-024		5K197
5	Fillister Head Screw - Motor Cover	AISI 300 SS	4	13K347
6	Motor Cover	Thermoplastic	1	1K257
7	Oil Plug Grommet	Buna-N	1	6K87
8	O-ring - Motor Cover	Buna-N, AS 568A-161	1	5K196
9	Motor Assembly - 115V, 4/10 HP	Varies	1	1K282
	Motor Assembly - 230V, 4/10 HP			1K283
	Motor Assembly - 115 V, 1/2 HP			1K284
	Motor Assembly - 230 V, 1/2 HP			1K285
10	Mechanical Seal Assembly - Type 16	Carbon/Ceramic	1	10K32
11	Fillister Head Screw - Casing	AISI 300 SS	4	13K347
12	Casing	Thermoplastic	1	1K233
13	Impeller - (EP04 - 4/10 HP)	Thermoplastic	1	2K498
	Impeller - (EP05 - 1/2 HP)			2K731
14	Thread Forming Screw	AISI 300 SS	10	13K243
15	Base	Thermoplastic	1	1K258
16	Gasket - Motor Adapter	Composite	1	5K182
17	Gasket - Casing	Composite	1	5K219
18	Strainer	Thermoplastic	1	4K528
	Insulating Oil - see note on Index page	Turbine Oil - ATSM 150	—	4K432

Item No. 9 includes motor adapter, rotor, stator, tolerance ring, ground wire and ground screw.

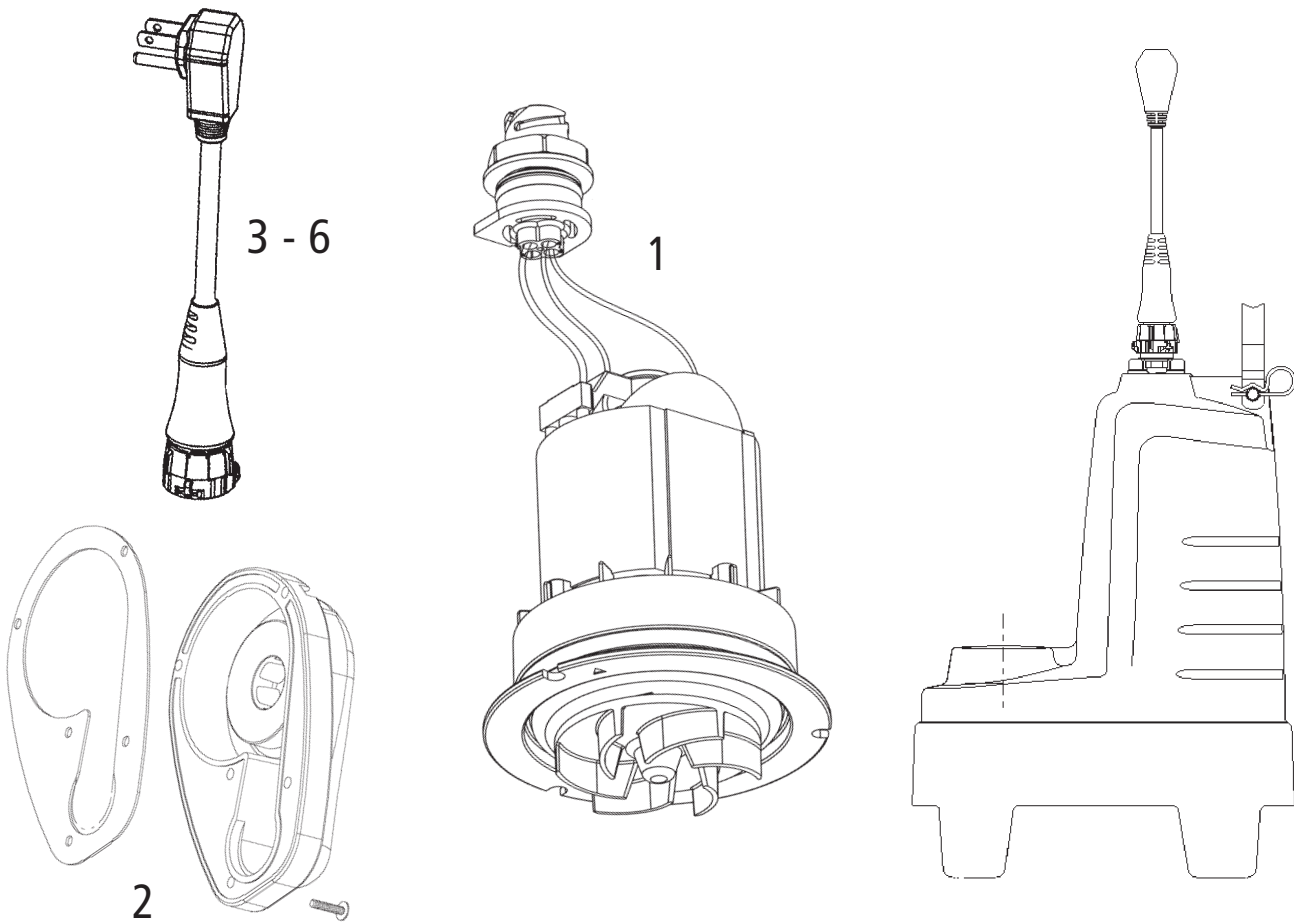
4/10 HP – 1 quart of insulating oil required.

1/2 HP – .85 quarts of insulating oil required.

* Effective December 3, 2003.

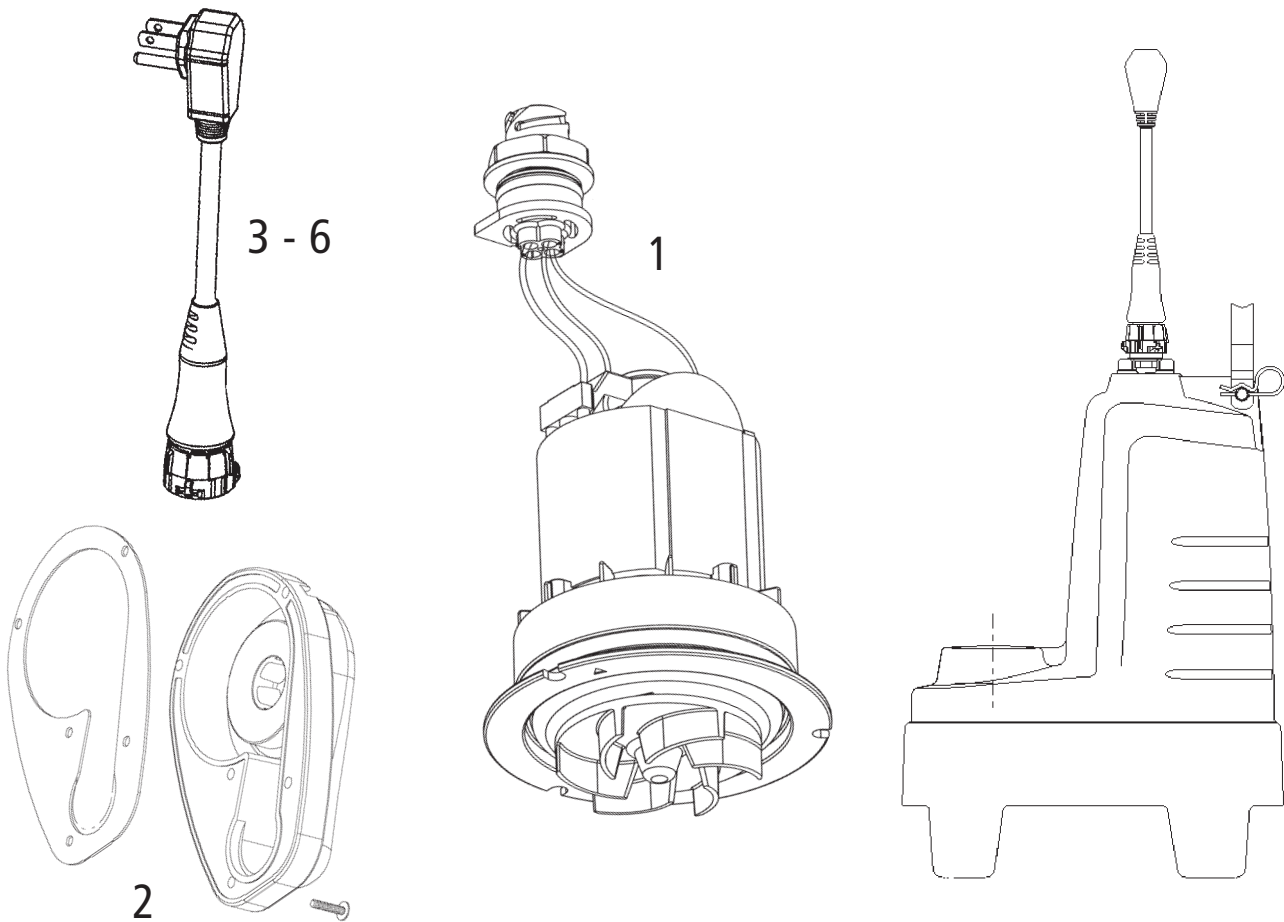
MODEL PS41, 51

Item Number	Part Name	Description	Repair Part Order Number
1	4/10 HP Motor Assembly – 115V	Motor, Seal Housing, Receptacle, Jam Nut, O-ring, Mechanical Seal, Impeller	15K30
	1/2 HP Motor Assembly – 115V		15K31
	4/10 HP Motor Assembly – 230V		15K47
	1/2 HP Motor Assembly – 230V		15K48
2	Base Assembly	Base, Gasket, Screws	15K39
3	Cord Set – 115V	10' Manual – 115V with 5-15P Nema Plug	9K372
4		20' Manual – 115V with 5-15P Nema Plug - Standard	9K375
5		30' Manual – 115V with 5-15P Nema Plug	9K380
6		50' Manual – 115V with 5-15P Nema Plug	9K377
		30' Pumpmaster – 115V with 5-15P Nema Plug	9K446
—		Cord Set – 230V	20' Manual – 230V with 6-15P Nema Plug - Standard
—	30' Manual – 230V with 6-15P Nema Plug		9K422
—	Float Switch – 115V	10' Pumpmaster with Hardware - 115V, 13A	A2D11
		20' Pumpmaster with Hardware - 115V, 13A	A2D31
		30' Pumpmaster with Hardware - 115V, 13A	A2D51
—	Float Switch – 230V	20' Pumpmaster with Hardware - 230V, 13A	A2D32
		30' Pumpmaster with Hardware - 230V, 13A	A2D52

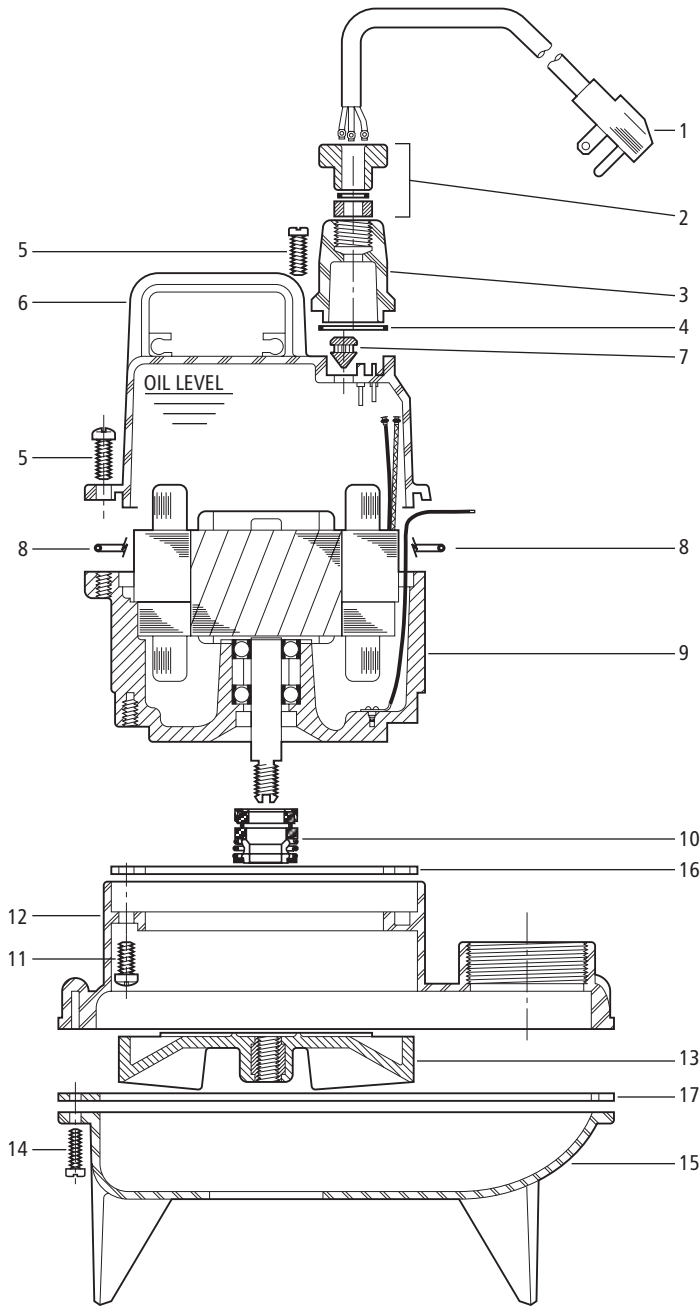


MODEL PV51 – Vortex

Item Number	Part Name	Description	Repair Part Order Number
1	½ HP Motor Assembly – 115V	Motor, Seal Housing, Receptacle, Jam Nut, O-Ring, Mechanical Seal, Impeller	15K58
	½ HP Motor Assembly – 230V		15K59
2	Base Assembly	Base, Gasket, Screws	15K57
3	Cord Set – 115V	10' Manual – 115V with 5-15P Nema Plug	9K372
4		20' Manual – 115V with 5-15P Nema Plug - Standard	9K375
5		30' Manual – 115V with 5-15P Nema Plug	9K380
6		50' Manual – 115V with 5-15P Nema Plug	9K377
7		30' Pumpmaster – 115V with 5-15P Nema Plug	9K446
8		Cord Set – 230V	20' Manual – 230V with 6-15P Nema Plug - Standard
9	30' Manual – 230V with 6-15P Nema Plug		9K422
10	Float Switch – 115V	10' Pumpmaster with Hardware - 115V, 13A	A2D11
		20' Pumpmaster with Hardware - 115V, 13A	A2D31
		30' Pumpmaster with Hardware - 115V, 13A	A2D51
11	Float Switch – 230V	20' Pumpmaster with Hardware - 230V, 13A	A2D32
		30' Pumpmaster with Hardware - 230V, 13A	A2D52



MODEL 3872 – WW05 Series



Item No.	Part Description	Material	Qty. Req.	Repair Part Order No.
1	10' Cord Set with Plug - 115 V	SJTOW - 16/3	1	9K207
	10' Cord Set with Plug - 230 V			9K208
	20' Cord Set with Plug - 115 V			9K209
	20' Cord Set with Plug - 230 V			9K210
2	Strain Relief Assembly, Cord Set	Varies	1	5K113
3	Gland Nut Housing	Thermoplastic	1	9K226
4	O-ring - gland nut housing	Buna-N, AS 568A-024		5K197
5	Fillister Head Screw - Motor Cover	AISI 300 SS	4	13K347
6	Motor Cover	Thermoplastic	1	1K257
7	Oil Plug Grommet	Buna-N	1	6K87
8	O-ring - Motor Cover	Buna-N, AS 568A-161	1	5K196
9	Motor Assembly - 115 V, 1/2 HP	Varies	1	1K284
	Motor Assembly - 230 V, 1/2 HP			1K285
10	Mechanical Seal Assembly - Type 16	Carbon/Ceramic	1	10K32
11	Fillister Head Screw - Casing	AISI 300 SS	4	13K347
12	Casing	Thermoplastic	1	1K274
13	Impeller	Thermoplastic	1	2K494
14	Thread Forming Screw	AISI 300 SS	10	13K243
15	Base	Thermoplastic	1	1K275
16	Gasket - Motor Adapter	Composite	1	5K182
17	Gasket - Casing	Composite	1	5K217
	Insulating Oil - see note on Index page	Turbine Oil - ATSM 150	—	4K432

Item No. 9 includes motor adapter, rotor, stator, tolerance ring, ground wire and ground screw.

1/2 HP – .85 quarts of insulating oil required.

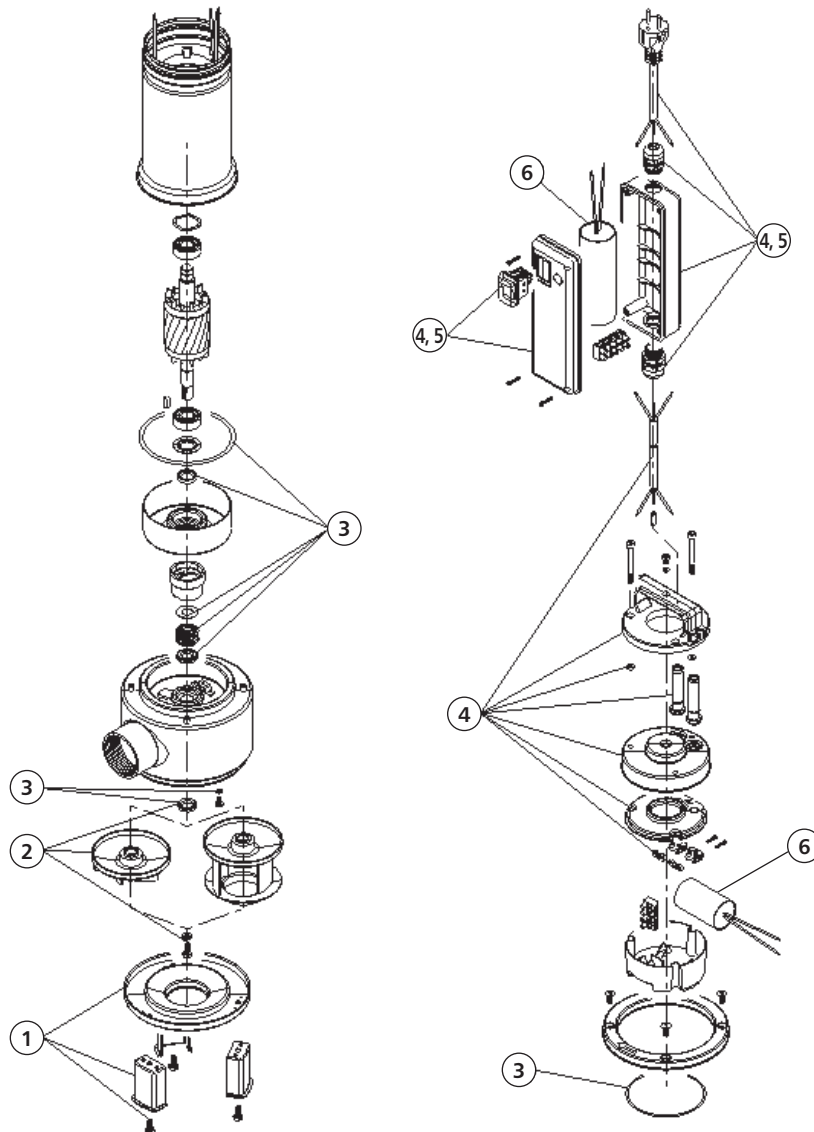
MODEL 1/2DM, 1/2DV

Item Number	Part Description	Repair Parts Order Number			
		½ HP	¾ HP	1 HP	1½ HP
1	Base Package (Suction Flange, Feet, Screws)	15L1	15L2		
2	DV Impeller Package (Impeller, Screw, Key, V-Ring)	15L3	15L4	15L5	15L6
	DM Impeller Package (Impeller, Screw, Key, V-Ring)	15L7	15L8	15L9	15L10
3	Pump Seal Package (V-Ring, Mechanical Seal, O-Rings)	15L11			
4*	Cord / Handle / Capacitor Box Assembly	115V, Single Phase	15L60	N/A	
	Cord / Handle Assembly	230V, Single Phase	15L61		N/A
		230/460V, Three Phase	15L62		
4**	Cord / Handle / Capacitor Box Assembly	115V, Single Phase	15L58	N/A	
		230V, Single Phase	15L13		15L59
5	Capacitor Box / Cord Assembly	15L51	N/A	15L57**	N/A
6	Capacitor - pumps built after June, 2002	115V, Single Phase	9L122		
		230V, Single Phase	9L113	9L123	9L124

* After 11/04

** Used from 6/02 to 11/04

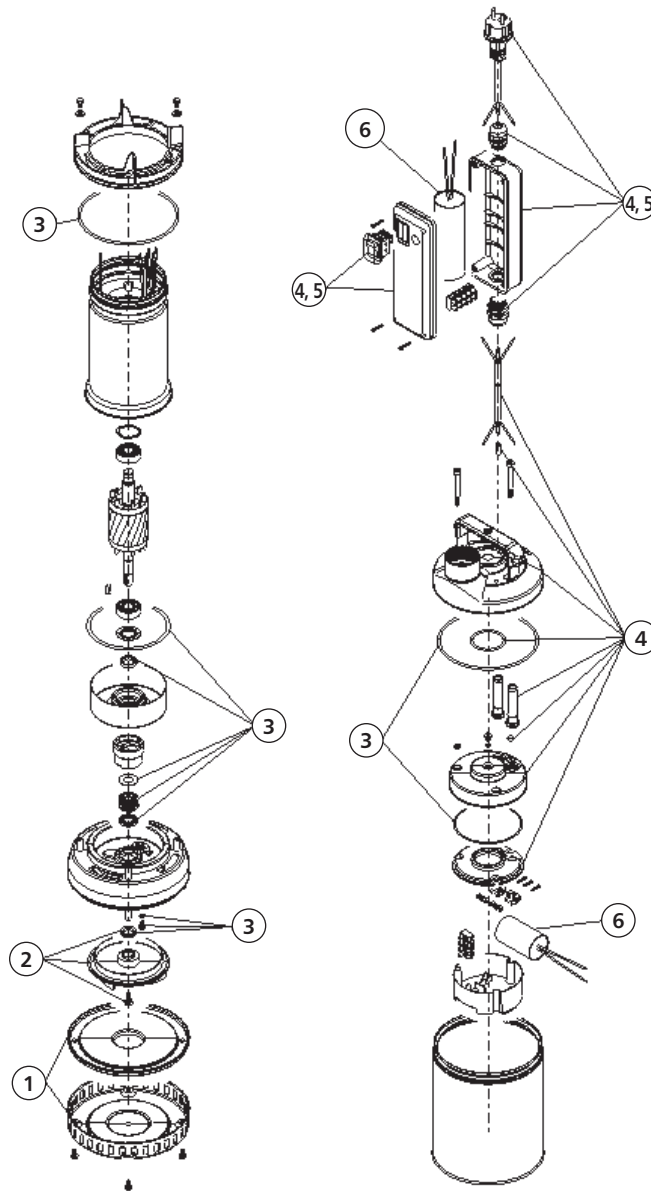
Capacitors not available for pumps before June, 2002.



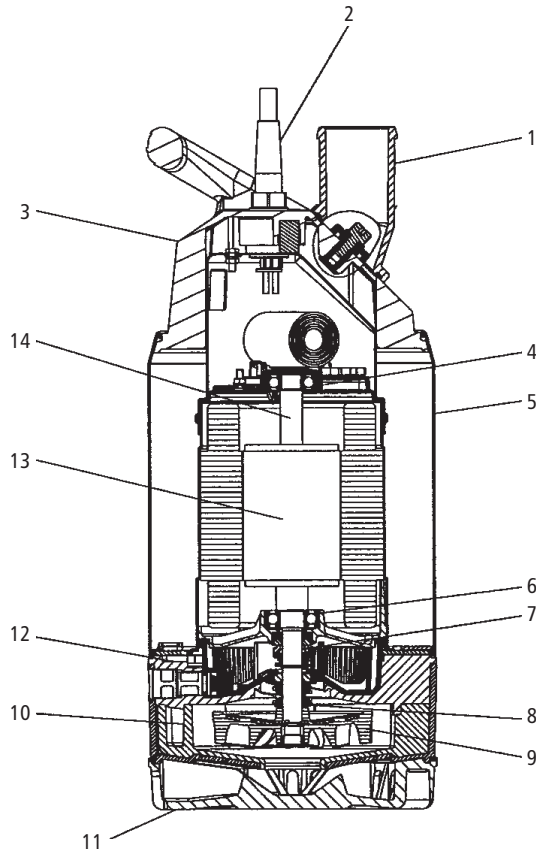
MODEL 1DW

Item Number	Part Description	Repair Parts Order Number			
		½ HP	¾ HP	1 HP	1½ HP
1	Strainer Package (Suction Flange and Strainer)	15L17			
2	Impeller Package (Impeller, Screw, Key, V-Ring)	15L19	15L20	15L21	15L22
3	Pump Seal Package (V-Ring, Mechanical Seal, O-Rings)	15L23			
4	Cord / Handle / Capacitor Box Assembly	115V, Single Phase	15L54	N/A	
	Cord / Handle Assembly	230V, Single Phase	15L55		N/A
5	Capacitor Box / Cord Assembly	230/460V, Three Phase	15L56		
6	Capacitor - pumps built after June, 2002	115V, Single Phase	9L122	N/A	
		230V, Single Phase	9L113	9L123	9L124

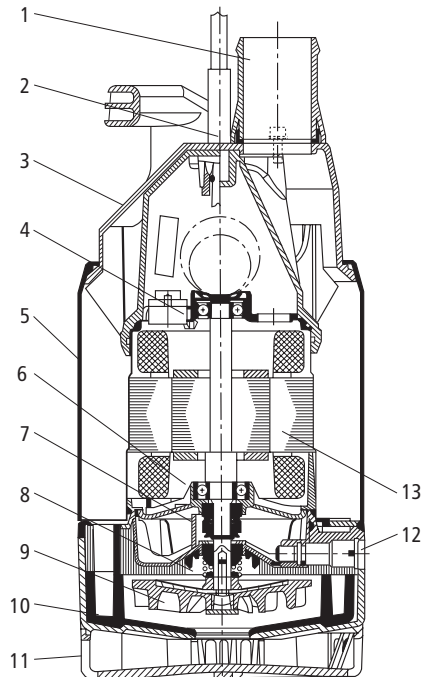
Capacitors not available for pumps before June, 2002.



MODEL 2DW



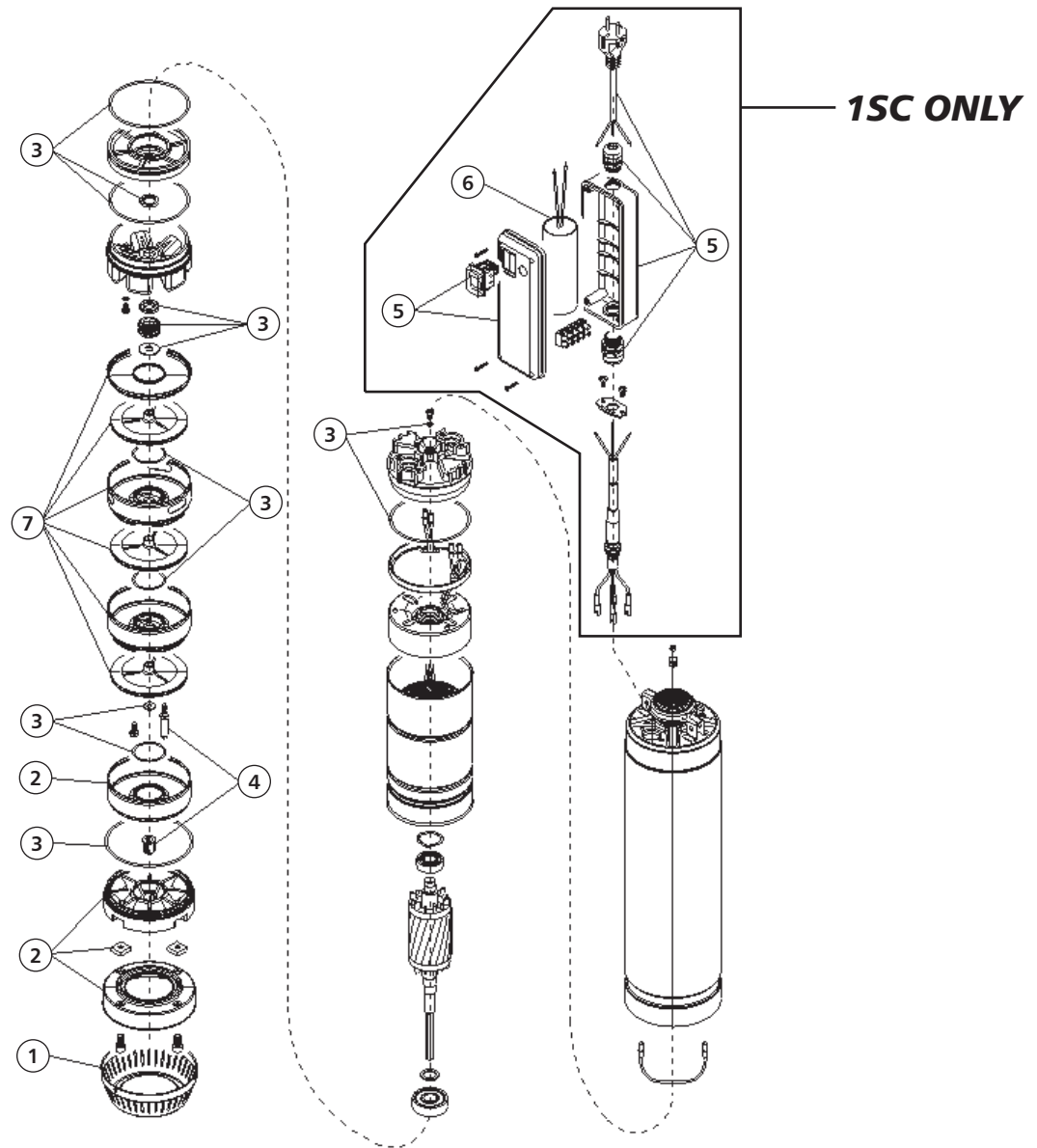
New Style



Old Style

Item No.	Part Description	Qty. R'qd.	Repair Part Order No.	
			After 8/05	Before 8/05
1	Discharge Connection Kit	1	6K171	6K167
2	Cordset - 1 Phase, 115V		9K497	9K386
	Cordset - 1 Phase, 230V		9K498	9K387
3	Handle / Cover		—	—
4	Bearing - Upper		—	—
5	Casing		—	—
6	Bearing - Lower		—	—
7	Mechanical Seal - Lower		—	—
8	Mechanical Seal - Upper		—	—
9	Impeller		—	—
10	Diffuser		—	—
11	Strainer		—	—
12	Plug - Oil		—	—
13	Motor	—	—	
Kits		Kit		
Impeller - ½ HP	Impeller, Impeller Screw, Protective Plug, Washer, Assembly Instructions	1	15K11	
Impeller - 1 HP			15K73	
Diffuser	Diffuser, Screws, Washers, Assembly Instruction		15K62	15K13
Mechanical Seal - Lower	Mechanical Face-Seal Unit, Assembly Instruction		15K14	
Mechanical Seal-Upper & Lower	Complete Mechanical Seal Kit		15K41	
Ball Bearing Kit	Upper and Lower Ball Bearings		15K42	
O-Ring Kit (Complete Set)	Complete O-Ring Set		15K63	15K43

MODELS SE and 1SC



MODEL SE

Item Number	Part Description	Repair Parts Order Number		
		8SE	16SE	26SE
1	Suction Strainer	15L28		
2	Lower Bearing Support Package	15L29		
3	Pump Seal Package (Mechanical Seal and O-Rings) – New	15L52		
4	Bushing Package	15L31	N/A	N/A
5	Power Cord - 16/3 SJTW x 10 ft. with Bare Leads	115V, Single Phase	9L120	
		230V, Single Phase		
6	Capacitor	115V, Single Phase	9L118 (50 mfd, 250V)	
		230V, Single Phase	9L119 (16 mfd, 450V)	
7	Impeller / Diffuser Package	15L53 (4)	15L33 (3)	15L34 (3)

MODEL 1SC - After 5/06

Item Number	Part Description	Repair Parts Order Number		
		½ HP – 3 Stage	¾ HP – 4 Stage	1 HP – 5 Stage
1	Suction Strainer	15L28		
2	Lower Bearing Support Package	15L29		
3	Pump Seal Package (Mechanical Seal and O-Rings) – New	15L52		
4	Bushing Package	N/A		15L31
5	Capacitor Box / Cord Assembly	115V, Single Phase	15L51	
		230V, Single Phase	N/A	
	Cord Assembly	230V, Three Phase	9L121 (6-15P Plug)	
6	Capacitor	115V, Single Phase	9L125	
		230V, Single Phase	No Longer Available	
7	Impeller / Diffuser Package – Low Flow	15L114 (25 mfd, 450V)	9L124 (30 mfd, 450V)	
	Impeller / Diffuser Package – High Flow	15L33 (3)	15L33 (4)	15L33 (5)
		15L34 (3)	15L34 (4)	15L34 (5)

MODEL 1SC - 6/02 to 5/06

Item Number	Part Description	Repair Parts Order Number		
		½ HP – 3 Stage	¾ HP – 4 Stage	1 HP – 5 Stage
1	Suction Strainer	15L28		
2	Lower Bearing Support Package	15L29		
3	Pump Seal Package (Mechanical Seal and O-Rings) – New	(15L30 Obs.) - 15L52		
4	Bushing Package	15L31		
5	Capacitor Box / Cord Assembly	115V, Single Phase	15L51	
		230V, Single Phase	N/A	
6	Capacitor	115V, Single Phase	15L16	
		230V, Single Phase	15L57	
7	Impeller / Diffuser Package – Low Flow	9L122 (70 mfd, 250V)	N/A	
		230V, Single Phase	9L114 (25 mfd, 450V)	
		15L33 (3)	15L33 (4)	15L33 (5)
		15L34 (3)	15L34 (4)	15L34 (5)

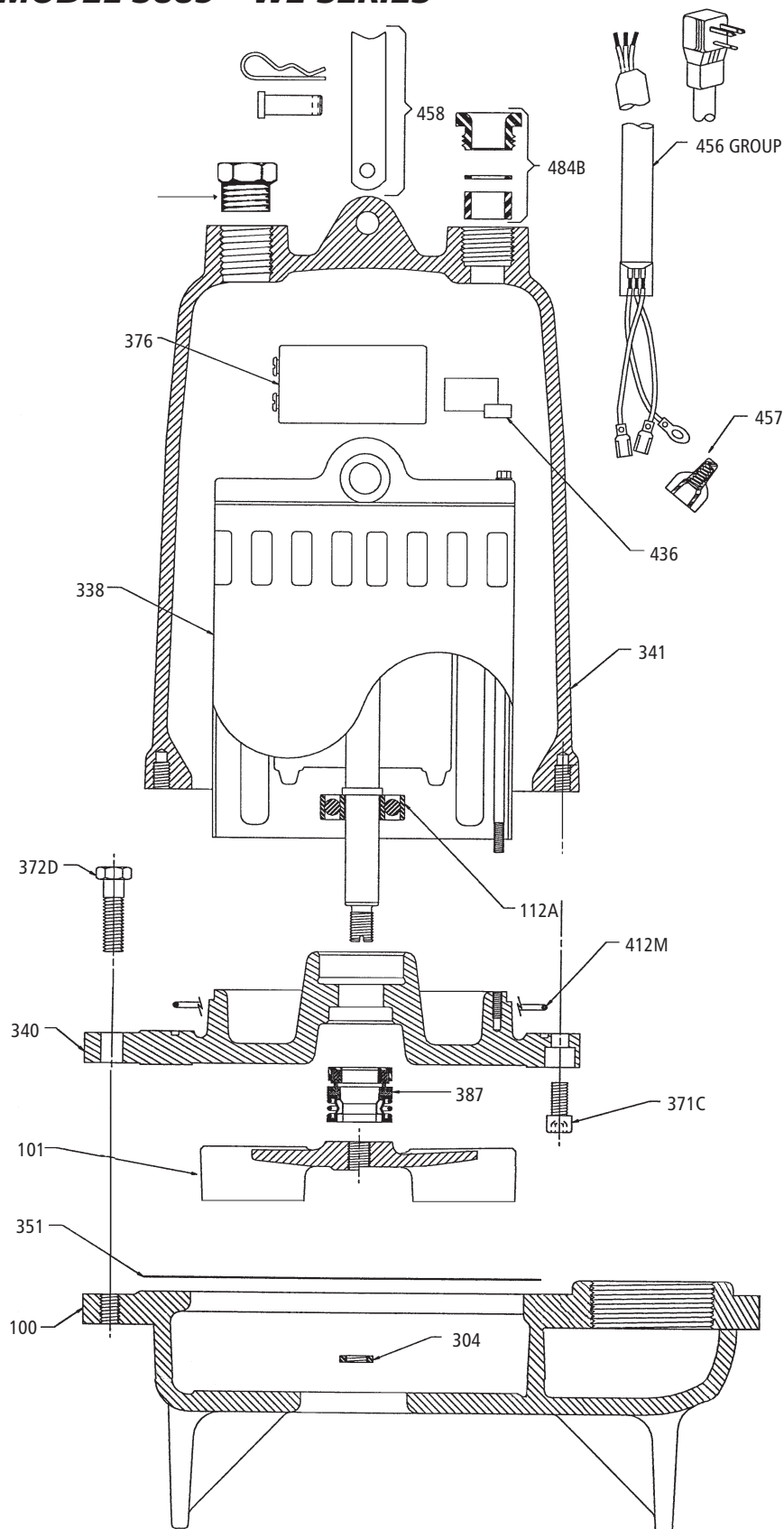
MODEL 1SC - 4/97 to 6/02

Item Number	Part Description	Repair Parts Order Number		
		½ HP – 3 Stage	¾ HP – 4 Stage	1 HP – 5 Stage
1	Suction Strainer	15L28		
2	Lower Bearing Support Package	15L29		
3	Pump Seal Package (Mechanical Seal and O-Rings) – New	(15L30 Obs.) - 15L52		
4	Bushing Package	15L31		
5	Capacitor Box / Cord Assembly	230V, Single Phase	15L16	
6	Capacitor	115V, Single Phase	15L32	
		230V, Single Phase	No Longer Available	
7	Impeller / Diffuser Package – Low Flow	9L113 (20 mfd, 450V)	9L114 (25 mfd, 450V)	
		230V, Single Phase		
		15L33 (3)	15L33 (4)	15L33 (5)
		15L34 (3)	15L34 (4)	15L34 (5)

Old Pump had a single mechanical seal and the capacitor was located outside the pump.

New Pump has a dual mechanical seal and the capacitor is located inside the pump (except ½ HP, 1/60/115 V model).

MODEL 3885 – WE SERIES



CAPACITOR DATA		
"K" no.	MFD	VAC
9K197	161/193	110
9K351	30	370
9K352	200/240	220

MODEL 3885 – WE SERIES

Item No.	Part Description	Material	Qty. Req'd.	Repair Parts Order Number						Max. Wt. (lbs.)
				1725 RPM		3450 RPM				
				1/2 HP	1/2 HP	3/4 HP	1 HP	1 1/2 HP	2 HP	
100	Casing – 1/2 HP "L" Model Only 59115	Cast Iron	1	1K171	N/A					13.0
	Casing – All Others (M, H, HH) 59114			N/A	1K170					
101	Impeller	Cast Iron	1	2K158	2K220	2K219	2K218	2K217	2K840	2.0
	Impeller	Bronze		2K271	2K272	2K273	2K274	2K275	2K841	2 1/2
	Impeller – High Head "HH"	Cast Iron		N/A	2K225	N/A	N/A	2K221	N/A	3 1/2
	Impeller – High Head "HH"	Bronze		N/A	2K276	N/A	N/A	2K277	N/A	4.0
112A	Lower Ball Bearing	Steel	1	4K132				4K384	–	
112B	Upper Ball Bearing	Steel	1	4K132					–	
218	Insulating Turbine Oil	ASTM150		4K432 (1 gallon 1/2-1 1/2 HP, .88 gallons 2 HP)					7 1/2 lbs./gal.	
304	Impeller Locknut - All	AISI 300 SS	1	13K286					–	
338	Motor	Motor with Stainless Steel Shaft	1	118-121R	118-1222R	N/A	N/A	N/A	N/A	13.0 to 24.0
				118-1215R	118-1236R	118-1236R	118-1238R	118-1238R	N/A	
				118-122R	118-1223R	118-1232R	118-1233R	118-1234R	120-845R	
				N/A	118-1333R	118-1334R	118-1335R	118-1336R	120-8425R	
				N/A	118-1321R	118-1322R	118-1323R	118-1324R	120-8425R	
				N/A	118-1328R	118-1330R	118-1330R	118-1331R	120-8435R	
340	Seal / Bearing Housing	Cast Iron	1	1K167				1K332	10.0	
341	Motor Cover	Cast Iron	1	1K207			1K208		23.0	
				N/A	1K208					
351	Casing Gasket - All Except "HH"	Composite	1	5K170				–		
	Shim Set - "HH" Models Only	Plastic	1	5K169				–		
358E	Plug – Motor Cover 3/8" NPT	AISI 300 SS	1	6K169				–		
371C	Skt. Hd. Screw – Housing to Motor Cover	AISI 300 SS	4	13K271				–		
372D	Hex Cap Screw – Housing to Casing	AISI 300 SS	4	13K186				–		
376	Capacitor (1 Phase Only)	Varies	1	9K197				9K352	–	
				N/A				9K351		
387	Mechanical Seal – Standard	Silicon Carbide	1	10K120				10K119	–	
	Mechanical Seal – Optional	Tungsten Carbide	1	10K122				10K123	–	
412M	O-ring – Motor Cover	BUNA-N, AS 568A-166	1	4K252				–		
436	Motor Start Switch (1 Phase Only)		1	629002-2				9K356	–	
457	Wire Nut (Power Cable)	Special Nylon Housing	2 up to 6	N/A				9K145	–	
				N/A	9K145					
458	Handle Assembly	AISI 300 SS	1	4K243				–		
484B	Strain Relief Assembly (Power Cable)	Varies	1	5K113			5K111		–	
				N/A	5K111				–	
	Loctite #271 - Impeller / Nut		1	AL27121				–		

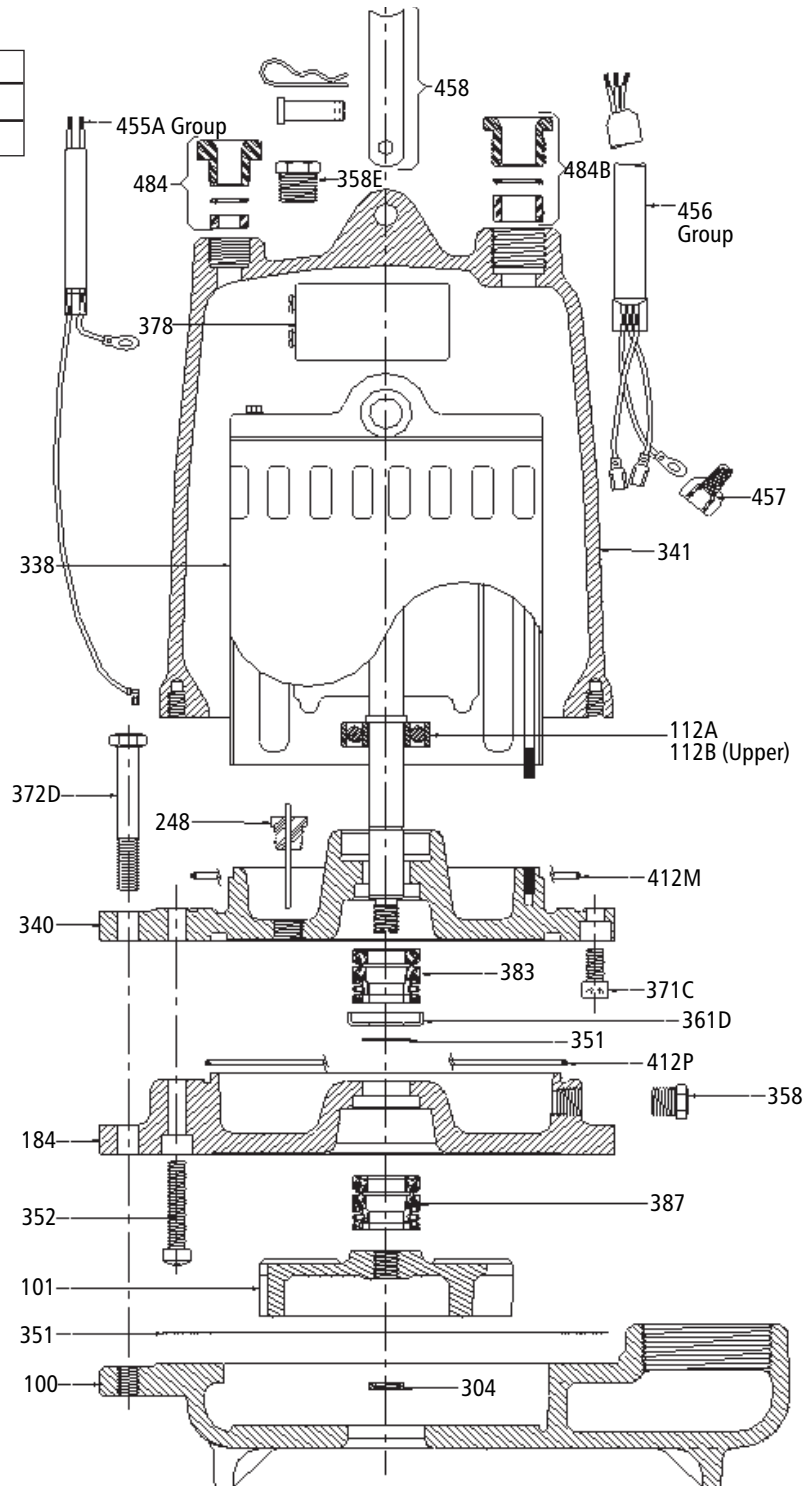
Item No. 456, Power Cables	Type and AWG Size	Standard length	Optional Lengths				Wt. (lbs./5 ft.)
		20'	30'	50'	100'		
1 PH: 1/2 HP, 115 V; standard with plug, optional length cords have bare leads.	SJTOW – 16/3	9K165	9K214	9K215	N/A	0.5	
1 PH: 1/2 HP, 115 V; standard with plug, optional length cords have bare leads.	STOW – 14/3	9K385 - SJTOW	9K216*	9K161*	9K217*	0.9	
1 PH: 1/2 & 1/2 HP, 208 & 230 V; standard with plug, opt. length cords have bare leads.	SJTOW – 16/3	9K164	9K214	9K215	N/A	0.5	
1 PH: 3/4 & 1 HP, 208 & 230 V; standard with plug, opt. length cords have bare leads.	STOW – 14/3	9K444 - SJTOW	9K216*	9K161*	9K217*	0.9	
1 PH: 1 1/2 HP, 208 & 230 V with bare leads.	STOW – 14/3	9K163	9K216*	9K161*	9K217*	0.9	
1 PH: 2 HP, 230 V with bare leads.	STOW – 14/3	9K266	9K267	9K268	9K269	0.9	
3 PH: 1/2 – 2 HP, 200–230/460/575 V with bare leads.	STOW – 14/4	9K153	9K218	9K154	9K219	1.1	

* Requires 5K111 Strain Relief Assembly and 1K208 Motor Cover.

"P" option – 9K445 1PH, 208/230 V, 14/3 SJTOW Cord with Plug, 30 ft.

MODEL 2ED

CAPACITOR DATA		
"K" no.	MFD	VAC
9K197	161/193	110



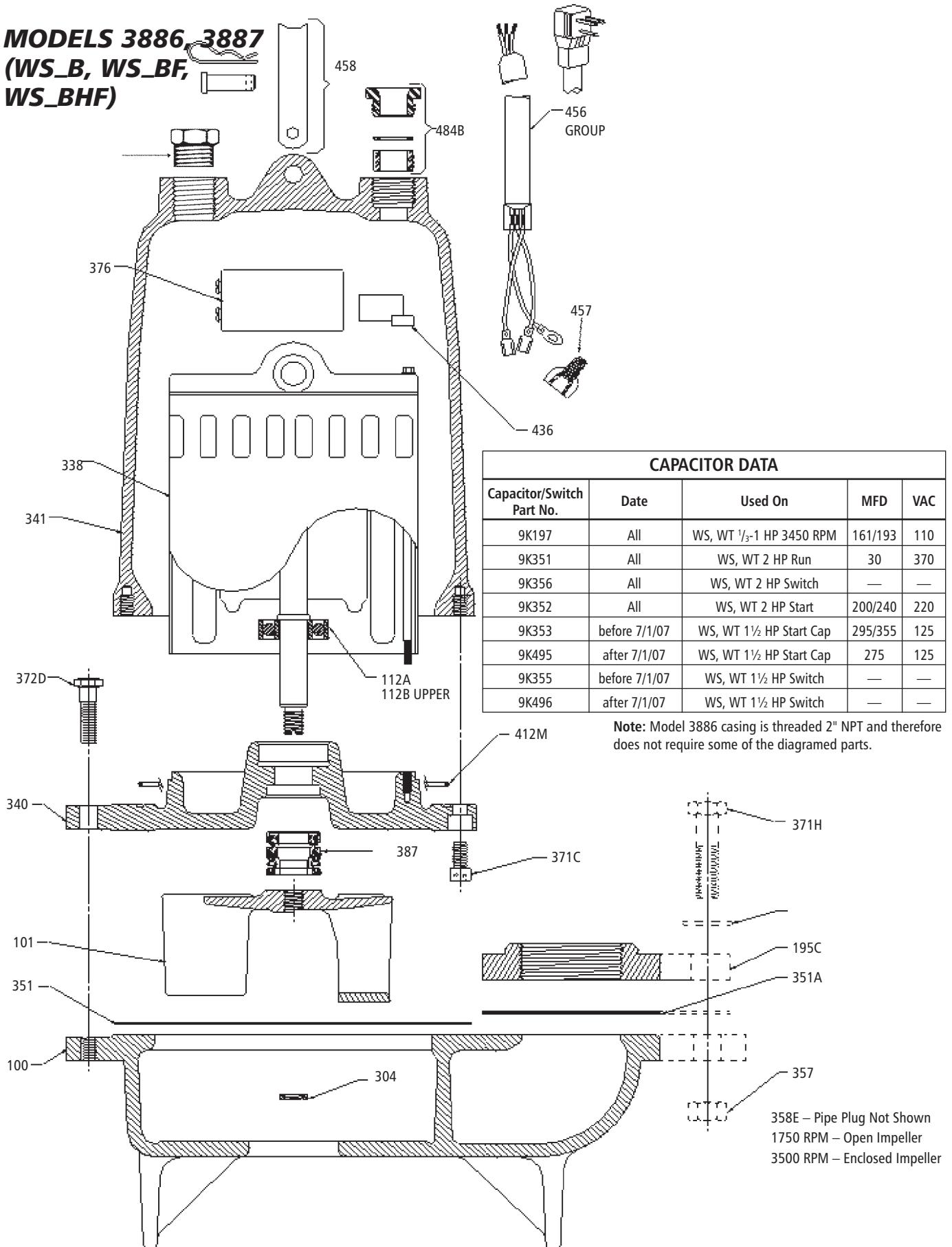
Item No. 456, Power Cables	Type and AWG Size	Standard length	Optional Lengths			Wt. (lbs./5 ft.)
		20'	30'	50'	100'	
1 PH: ½ HP, 115 V; standard with plug, optional lengths have bare leads.	SJTOW – 16/3	9K165	9K214	9K215	N/A	0.5
1 PH: ½ HP, 115 V; standard with plug, optional lengths have bare leads.	STOW – 14/3	9K385 - SJTOW	9K216*	9K161*	9K217*	0.9
1 PH: ½ & ½ HP, 208 & 230 V; standard with plug, opt. lengths have bare leads.	SJTOW – 16/3	9K164	9K214	9K215	N/A	0.5
1 PH: ¾ – 1½ HP, 208 & 230 V with bare leads.	STOW – 14/3	9K163	9K216	9K161	9K217	0.9
3 PH: ½ – 1½ HP, 200–230/460/575 V with bare leads.	STOW – 14/4	9K153	9K218	9K154	9K219	1.1
Item No. 455A, Sensor Cables						
Mechanical Seal Sensor - Standard for All Models	SJTOW – 16/2	9K189	9K220	9K221	9K222	0.5
Mechanical Seal/Heat Sensor - Optional for 3-Phase Models	SJTOW – 18/4	9K237	9K238	9K239	9K240	0.5

* Requires 5K111 Strain Relief Assembly and 1K208 Motor Cover.

MODEL 2ED (Dual Seal)

Item No.	Part Description	Material	Qty. Reqd.	Repair Parts Order Number					Max. Wt. (lbs.)
				1725 RPM	3450 RPM				
				1/3 HP	1/2 HP	3/4 HP	1 HP	1 1/2 HP	
100	Casing – "F" Model Only (8th Digit)	Cast Iron	1	1K171	N/A				13.0
	Casing – All Others			N/A	1K170				
101	Impeller – Standard	Cast Iron	1	2K158	2K220	2K219	2K218	2K217	4.0
	Model Number (8th Digit) = Diameter	Bronze		E, F = 5 3/8"	D = 3 9/16"	C = 4 1/8"	B = 4 7/16"	A = 4 9/16"	2.5
	Impeller – Standard			2K271	2K272	2K273	2K274	2K275	
	Model Number (8th Digit) = Diameter	Cast Iron		E, F = 5 3/8"	D = 3 9/16"	C = 4 1/8"	B = 4 7/16"	A = 4 9/16"	3.5
	Impeller – High Head			N/A	2K225	N/A	N/A	2K221	
	Model Number (8th Digit) = Diameter			H = 3 7/8"	N/A	N/A	G = 5 1/2"		
Impeller – High Head	N/A		2K276	N/A	N/A	2K277			
Model Number (8th Digit) = Diameter	Bronze	H = 3 7/8"	N/A	N/A	G = 5 1/2"	4.0			
112A	Lower Ball Bearing	Steel	1	4K132				–	
112B	Upper Ball Bearing	Steel	1	4K132				–	
184	Seal Housing	Cast Iron	1	1K229				9.5	
218	Insulating Oil – Gallons Required	Turbine Oil - ASTM150	–	4K432				7 1/2 lbs./gal.	
	Gallons Required in Seal Housing			0.10					
	Gallons Required in Motor Cover			1.0					
246	Seal Sensor – Plug and Rod	Nylon/Brass	1	9K191				–	
304	Impeller Locknut - All	AISI 300 SS	1	13K286				–	
338	Motor	Stainless Steel Shaft	1	119-493R	119-4931R	N/A			13.0 to 24.0
				119-49815R	119-4992R	119-4992R	119-4994R	119-4994R	
				119-494R	119-4932R	119-4934R	119-4934R	119-4935R	
				N/A	119-4971R	119-4973R	119-4973R	119-4974R	
				N/A	119-4941R	119-4943R	119-4943R	119-4944R	
				N/A	119-4951R	119-4954R	119-4954R	119-4954R	
340	Bearing Housing	Cast Iron	1	1K228				10.0	
341	Motor Cover	Cast Iron	1	1K230		1K231			23.0
				N/A	1K231				
351	Casing Gasket	Composite	1	5K170				–	
	Shim Set - "High Head" Models Only	Plastic	1	5K169				–	
352	Skt. Hd. Screw – Seal Housing to Motor Cover	AISI 300 SS	2	13K219				–	
358	Plug – Seal Housing 1/4" NPT	AISI 300 SS	1	6K168				–	
358E	Plug – Motor Cover 3/8" NPT	AISI 300 SS	1	6K169				–	
361	Retaining Ring	AISI 300 SS	1	4K375				–	
361D	Seal Retainer	AISI 300 SS	1	4K379				–	
371C	Skt. Hd. Screw – Bearing Housing to Motor Cover	AISI 300 SS	2	13K271				–	
372D	Hex Cap Screw – Housing to Casing	AISI 300 SS	4	13K222				–	
376	Capacitor (1 Phase Only) - Start	–	1	9K197				–	
383	Mechanical Seal – Upper	Carbon/Ceramic	1	10K121 (Type 16)				–	
387	Mechanical Seal – Lower (Standard)	Silicon Carbon	1	10K120 (Type 16)				–	
	Mechanical Seal – Lower (Optional)	Tungsten Carbon	1	10K122 (Type 16)				–	
412M	O-ring – Motor Cover	BUNA-N, AS 568A-166	1	4K252				–	
412P	O-ring – Seal/Bearing Housing	BUNA-N, AS 568A-163	1	5K181				–	
457	Wire Nut	Special Nylon Housing	N/A	None Required				–	
			1 pkg.	N/A	9K145 (package of 8)			–	
			1 pkg.	9K145 (package of 8)				–	
458	Handle Assembly	AISI 300 SS	1	4K243				–	
484	Strain Relief Assembly, Sensor Cable	Varies	1	5K113				–	
484B	Strain Relief Assembly (Power Cable)	Varies	1	5K113		5K111		–	
			1	N/A	5K111			–	
	Heat Sensor Kit (Optional)	–	1	9K261				–	
	Seal Installation Tool	–	1	A02A013				–	
	Loctite #271	–	1	AL27121				–	

MODELS 3886, 3887 (WS_B, WS_BF, WS_BHF)



CAPACITOR DATA				
Capacitor/Switch Part No.	Date	Used On	MFD	VAC
9K197	All	WS, WT 1/3-1 HP 3450 RPM	161/193	110
9K351	All	WS, WT 2 HP Run	30	370
9K356	All	WS, WT 2 HP Switch	—	—
9K352	All	WS, WT 2 HP Start	200/240	220
9K353	before 7/1/07	WS, WT 1 1/2 HP Start Cap	295/355	125
9K495	after 7/1/07	WS, WT 1 1/2 HP Start Cap	275	125
9K355	before 7/1/07	WS, WT 1 1/2 HP Switch	—	—
9K496	after 7/1/07	WS, WT 1 1/2 HP Switch	—	—

Note: Model 3886 casing is threaded 2" NPT and therefore does not require some of the diagramed parts.

358E – Pipe Plug Not Shown
1750 RPM – Open Impeller
3500 RPM – Enclosed Impeller

MODEL 3886 (WS_B)

Item No.	Part Description	Material	Qty. Req.	Repair Parts Order Number				Max. Wt. (lbs.)
				1725 RPM				
				1/3 HP	1/2 HP	3/4 HP	1 HP	
100	Casing	Cast Iron	1	1K168				16.5
101	Impeller	Cast Iron	1	2K268	2K239	2K240	2K241	3.0
	Impeller	Bronze	1	2K279	2K280	2K281	2K282	3.5
112A	Lower Ball Bearing	Steel	1	4K132				–
112B	Upper Ball Bearing	Steel	1	4K132				–
218	Insulating Turbine Oil	ASTM150	-	4K432 (1 gallon 1/3 - 1 HP)				7.5 lbs./gal.
304	Impeller Locknut - All	AISI 300 SS	1	13K286				–
338	Motor – 1 Phase, 115V	Motor with Stainless Steel Shaft	1	118-121R	118-123R	N/A	N/A	13.0 to 24.0
	Motor – 1 Phase, 208V			118-1215R	118-1215R	118-1217R	118-1217R	
	Motor – 1 Phase, 230V			118-122R	118-124R	118-1212R	118-1213R	
	Motor – 3 Phase, 200 V			N/A	118-1314R	118-1316R	118-1316R	
	Motor – 3 Phase, 230/460 V			N/A	118-132R	118-134R	118-134R	
	Motor – 3 Phase, 575 V			N/A	118-139R	118-1311R	118-1311R	
340	Seal / Bearing Housing	Cast Iron	1	1K167				10.0
341	Motor Cover – 1 Phase	Cast Iron	1	1K207				20.0
	Motor Cover – 3 Phase			1K208				
351	Casing Gasket	Composite	1	5K170				–
358E	Plug – Motor Cover 3/8" NPT	AISI 300 SS	1	6K169				–
371C	Skt. Hd. Screw – Housing to Motor Cover	AISI 300 SS	4	13K271				–
372D	Hex Cap Screw – Housing to Casing	AISI 300 SS	4	13K186				–
376	Capacitor (1 Phase only) Start	Varies	1	9K197		9K235		–
387	Mechanical Seal – Standard	Silicon Carbide	1	10K120				–
	Mechanical Seal – Optional	Tungsten Carbide	1	10K122				–
412M	O-ring – Motor Cover	BUNA-N, AS568A-166	1	4K252				–
457	Wire Nut (Power Cable)	1 Phase	-	N/A				–
		3 Phase	up to 6	N/A	9K145			–
458	Handle Assembly	AISI 300 SS	1	4K243				–
484B	Strain Relief Assembly (Power Cable)	1 Phase	1	5K113				–
		3 Phase	1	N/A	5K111			
	Loctite #271	–	1	AL27121				–

Item No. 456, Power Cables	Type and AWG Size	Standard length	Optional Lengths			Wt. (lbs./5 ft.)
		20'	30'	50'	100'	
1 PH: 1/3 HP, 115 V; standard with plug, optional length cords have bare leads.	SJTOW – 16/3	9K165	9K214	9K215	N/A	0.5
1 PH: 1/2 HP, 115 V; standard with plug, optional length cords have bare leads.	STOW – 14/3	9K385 - SJTOW	9K216*	9K161*	9K217*	0.9
1 PH: 1/3 and 1/2 HP, 208 & 230 V; standard with plug, opt. length cords have bare leads.	SJTOW – 16/3	9K164	9K214	9K215	N/A	0.5
1 PH: 3/4 & 1 HP, 208 & 230 V; standard with plug, opt. length cords have bare leads.	STOW – 14/3	9K444 - SJTOW	9K216*	9K161*	9K217*	0.9
3 PH: 1/2 – 1 HP, 200-230/460/575 V with bare leads.	STOW – 14/4	9K153	9K218	9K154	9K219	1.1

* Requires 5K111 Strain Relief Assembly and 1K208 Motor Cover.

"P" option –9K445 1PH, 208/230 V, 14/3 SJTOW Cord with Plug, 30 ft.

MODEL 3887 (WS_BF)

Item No.	Part Description	Material	Qty. Req.	Repair Parts Order Number				Max. Wt. (lbs.)
				1725 RPM				
				1/3 HP	1/2 HP	3/4 HP	1 HP	
100	Casing	Cast Iron	1	1K178				16.5
101	Impeller	Cast Iron	1	2K268	2K239	2K240	2K241	3.0
	Impeller	Bronze	1	2K279	2K280	2K281	2K282	3.5
112A	Lower Ball Bearing	Steel	1	4K132				–
112B	Upper Ball Bearing	Steel	1	4K132				–
195C	Discharge Flange (2" NPT STD.)	Cast Iron	1	6K76				1.5
	Discharge Flange (3" NPT OPT.)			A1-3				
218	Insulating Turbine Oil	ASTM150	1	4K432 (1.0 gallons, 1/3 - 1 HP)				7.5 lbs./gal.
304	Impeller Locknut - All	AISI 300 SS	1	13K286				–
338	Motor – 1 Phase, 115V	Motor with Stainless Steel Shaft	1	118-121R	118-123R	N/A	N/A	13.0 to 24.0
	Motor – 1 Phase, 208V			118-1215R	118-1215R	118-1217R	118-1217R	
	Motor – 1 Phase, 230V			118-122R	118-124R	118-1212R	118-1213R	
	Motor – 3 Phase, 200 V			N/A	118-1314R	118-1316R	118-1316R	
	Motor – 3 Phase, 230/460 V			N/A	118-132R	118-134R	118-134R	
	Motor – 3 Phase, 575 V			N/A	118-139R	118-1311R	118-1311R	
340	Seal / Bearing Housing	Cast Iron	1	1K167				10.0
341	Motor Cover – 1 Phase	Cast Iron	1	1K207				20.0
	Motor Cover – 3 Phase			1K208				
351	Casing Gasket	Composite	1	5K170				–
351A	Discharge Flange Gasket	Composite	1	5K150				–
357	Hex Nut – Discharge Flange	AISI 300 SS	2	13K99				–
358E	Plug – Motor Cover 3/8" NPT	AISI 300 SS	1	6K169				–
371C	Skt. Hd. Screw – Housing to Motor Cover	AISI 300 SS	4	13K271				–
371H	Hex Cap Screw – Discharge Flange	AISI 300 SS	2	13K153				–
372D	Hex Screw – Housing to Casing	AISI 300 SS	4	13K186				–
376	Capacitor (1 Phase Only) Start	Varies	1	9K197		9K235		–
387	Mechanical Seal – Standard	Silicon Carbide	1	10K120				–
	Mechanical Seal – Optional	Tungsten Carbide	1	10K122				–
412M	O-Ring – Motor Cover	Buna-N, AS 568A-166	1	4K252				–
457	Wire Nut, Power Cable, 3 Phase	Special Nylon Housing	Up to 6	N/A		9K145		–
458	Handle Assembly	AISI 300 SS	1	4K243				–
484B	Strain Relief Assembly (Power Cable)	Varies	1	5K113				–
				N/A	5K111			
528	Washer – Discharge Flange	AISI 300 SS	2	13K82				–
	Loctite #271	–	1	AL27121				–

Item No. 456, Power Cables	Type and AWG Size	Standard length	Optional Lengths			Wt. (lbs./5 ft.)
		20'	30'	50'	100'	
1 PH: 1/3 HP, 115 V; standard with plug, optional length cords have bare leads.	SJTOW – 16/3	9K165	9K214	9K215	N/A	0.5
1 PH: 1/2 HP, 115 V; standard with plug, optional length cords have bare leads.	STOW – 14/3	9K385 - SJTOW	9K216*	9K161*	9K217*	0.9
1 PH: 1/3 & 1/2 HP, 208 & 230 V; standard with plug, optional length cords have bare leads.	SJTOW – 16/3	9K164	9K214	9K215	N/A	0.5
1 PH: 3/4 & 1 HP, 208 & 230 V; standard with plug, optional length cords have bare leads.	STOW – 14/3	9K444 - SJTOW	9K216*	9K161*	9K217*	0.9
3 PH: 1/2 – 1 HP, 200-230/460/575 V with bare leads.	STOW – 14/4	9K153	9K218	9K154	9K219	1.1

* Requires 5K111 Strain Relief Assembly and 1K208 Motor Cover.

"P" option – 9K445 1PH, 208/230 V, 14/3 SJTOW Cord with Plug, 30 ft.

MODEL 3887 (WS_BHF)

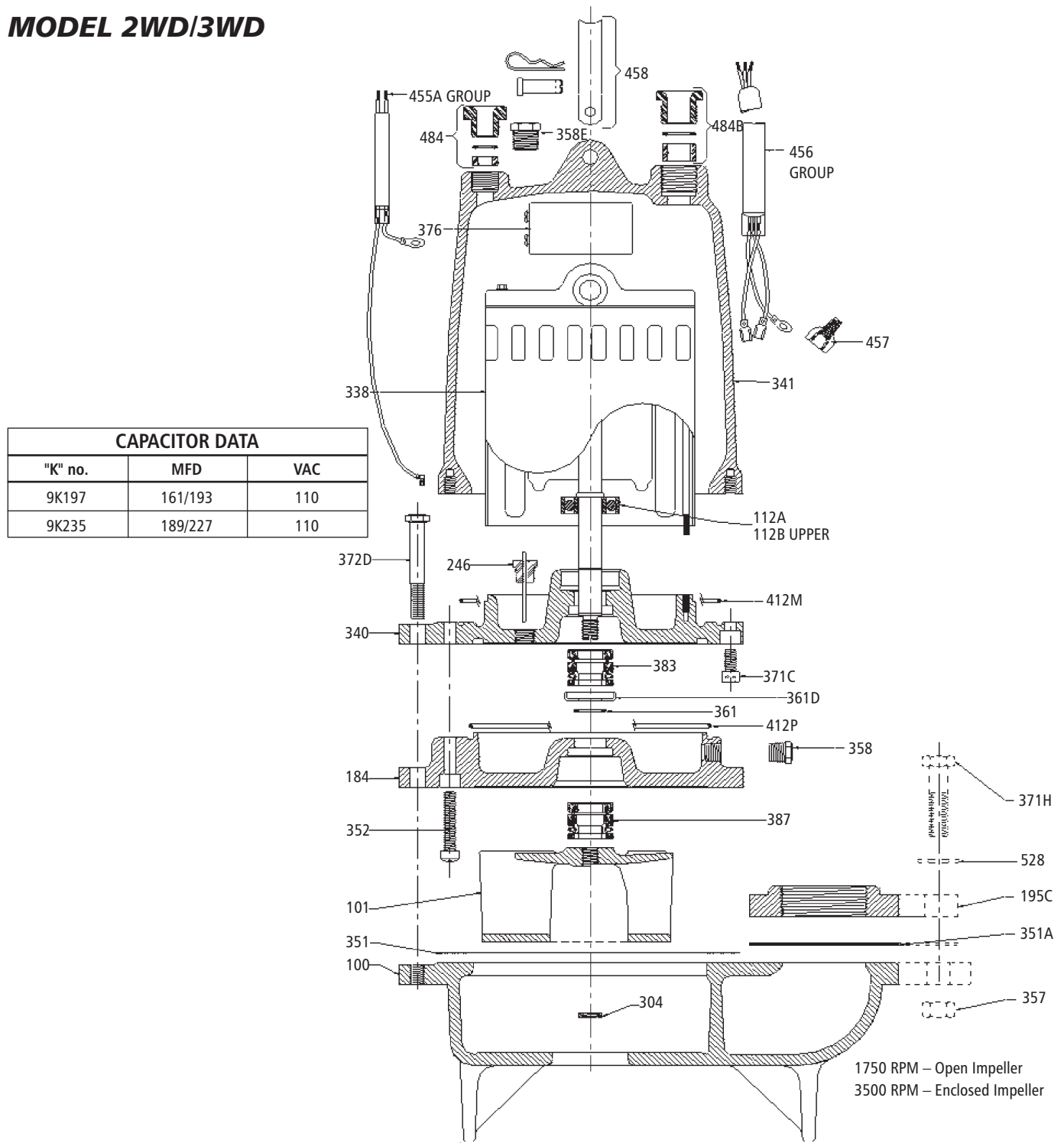
Item No.	Part Description	Material	Qty. Req.	Repair Parts Order Number						Max. Wt. (lbs.)
				3450 RPM						
				1/2 HP	1/2 HP	3/4 HP	1 HP	1 1/2 HP	2 HP	
100	Casing	Cast Iron	1	1K330						16.5
101	Impeller	Cast Iron	1	2K858	2K856	2K854	2K852	2K800	2K798	3.0
	Impeller	Bronze	1	2K859	2K857	2K855	2K853	2K801	2K799	3.5
112A	Lower Ball Bearing	Steel	1	4K132			4K384			–
112B	Upper Ball Bearing	Steel	1	4K132						–
195C	Discharge Flange (2" NPT STD.)	Cast Iron	1	6K76						1.5
	Discharge Flange (3" NPT OPT.)	Cast Iron	1	A1-3						1.5
218	Insulating Turbine Oil	ASTM150	-	4K432 (1 gallon 1/2-1 HP, .88 gallons 1 1/2 and 2 HP)						7.5 lbs./gal.
304	Impeller Locknut - All	AISI 300 SS	1	13K286						–
338	Motor – 1 Phase, 115V	Stainless Steel Shaft	1	118-1222R	118-1222R	N/A	N/A	N/A	N/A	13.0 to 24.0
	Motor – 1 Phase, 208V			118-1236R	118-1236R	118-1236R	118-1238R	N/A	N/A	
	Motor – 1 Phase, 230V			118-1223R	118-1223R	118-1232R	118-1233R	120-844R	120-845R	
	Motor – 3 Phase, 200 V			N/A	118-1333R	118-1334R	118-1335R	120-8425R	120-8425R	
	Motor – 3 Phase, 230/460 V			N/A	118-1321R	118-1322R	118-1323R	120-8425R	120-8425R	
	Motor – 3 Phase, 575 V			N/A	118-1328R	118-1330R	118-1330R	120-8435R	120-8435R	
340	Seal / Bearing Housing	Cast Iron	1	1K167			1K332			10.0
341	Motor Cover – 1 Phase	Cast Iron	1	1K207			1K208			20.0
	Motor Cover – 3 Phase			1K208						
351	Casing Gasket	Composite	1	5K170			–			
351A	Discharge Flange Gasket	Composite	1	5K150			–			
357	Hex Nut – Discharge Flange	AISI 300 SS	2	13K99			–			
358E	Plug – Motor Cover 3/8" NPT	AISI 300 SS	1	6K169			–			
371C	Skt. Hd. Screw – Housing to Motor Cover	AISI 300 SS	4	13K271			–			
371H	Hex Cap Screw – Discharge Flange	AISI 300 SS	2	13K153			–			
372D	Hex Cap Screw – Housing to Casing	AISI 300 SS	4	13K186			–			
387	Mechanical Seal – Standard	Silicon Carbide	1	10K120			10K119			–
	Mechanical Seal – Optional	Tungsten Carbide	1	10K122			10K123			–
412M	O-Ring – Motor Cover	BUNA-N, AS568A-166	1	4K252			–			
457	Wire Nut (Power Cable)	Special Nylon Housing	2 up to 6	N/A			9K145			–
				N/A	9K145			–		
458	Handle Assembly	AISI 300 SS	1	4K243			–			
484B	Strain Relief Assembly (Power Cable)	Varies	1	5K113			5K111			–
				N/A	5K111					
528	Washer – Discharge Flange	AISI 300 SS	2	13K82			–			
	Loctite #271	–	1	AL27121			–			

Item No. 456, Power Cables	Type and AWG Size	Standard length	Optional Lengths			Wt. (lbs./5 ft.)
		20'	30'	50'	100'	
1 PH: 1/2 HP, 115 V; standard with plug, optional lengths have bare leads.	SJTOW – 16/3	9K165	9K214	9K215	N/A	0.5
1 PH: 1/2 HP, 115 V; standard with plug, optional lengths have bare leads.	STOW – 14/3	9K385 - SJTOW	9K216*	9K161*	9K217*	0.9
1 PH: 1/2 and 1/2 HP, 208 & 230 V; standard with plug, optional lengths have bare leads.	SJTOW – 16/3	9K164	9K214	9K215	N/A	0.5
1 PH: 3/4 – 1 HP, 208 & 230 V; standard with plug, optional lengths have bare leads.	STOW – 14/3	9K444 - SJTOW	9K216*	9K161*	9K217*	0.9
1 PH: 1 1/2 and 2 HP, 230 V with bare leads.	STOW – 14/3	9K266	9K267	9K268	9K269	0.9
3 PH: 1/2 – 2 HP, 200-230/460/575 V with bare leads.	STOW – 14/4	9K153	9K218	9K154	9K219	1.1

* Requires 5K111 Strain Relief Assembly and 1K208 Motor Cover.

"P" option – 9K445 1PH, 208/230 V, 14/3 SJTOW Cord with Plug, 30 ft.

MODEL 2WD/3WD



CAPACITOR DATA		
"K" no.	MFD	VAC
9K197	161/193	110
9K235	189/227	110

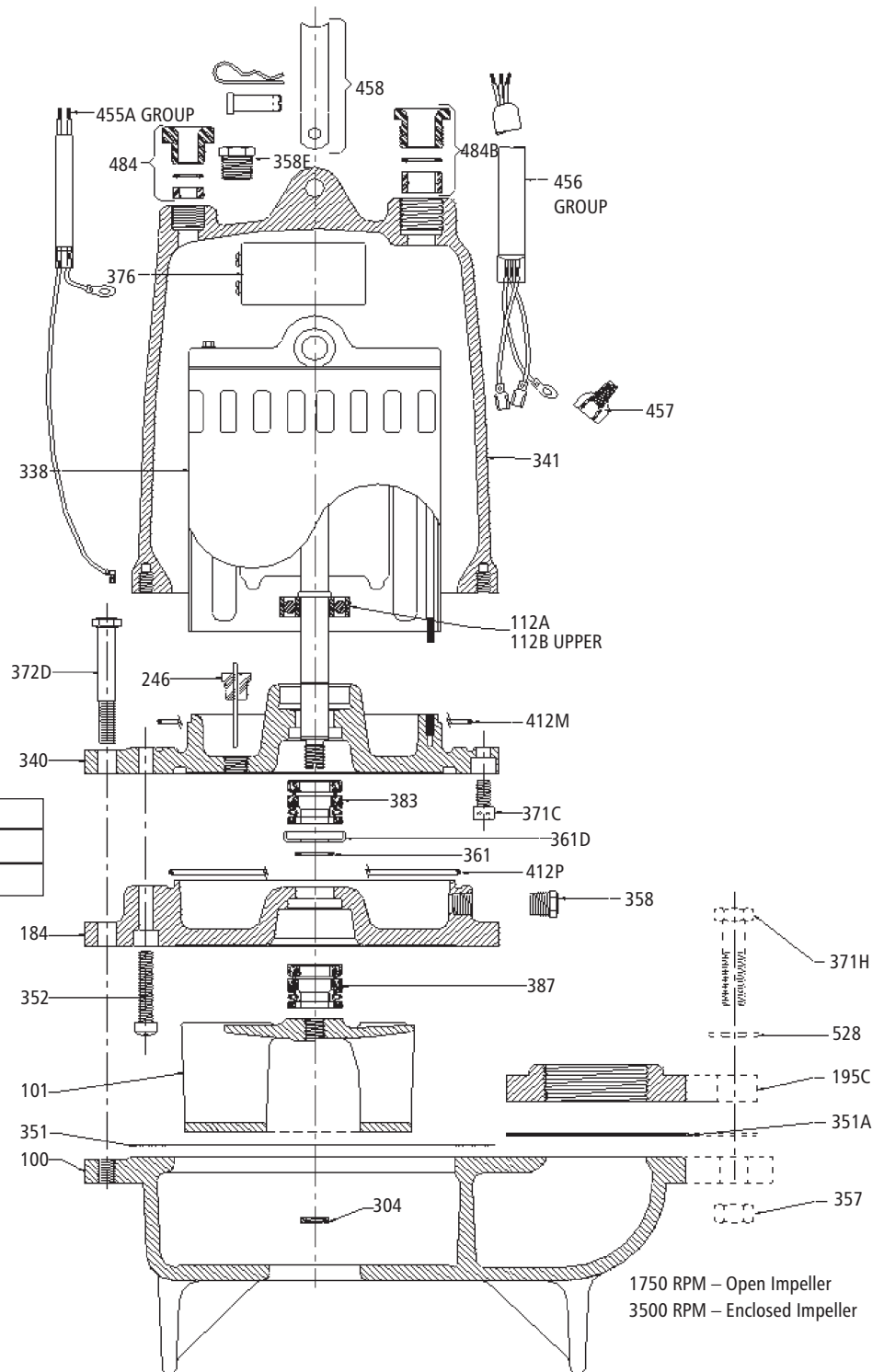
Item No. 456, Power Cables	Type and AWG Size	Standard length				Wt. (lbs./5 ft.)
		20'	30'	50'	100'	
1 PH: ½ HP, 115 V; standard with plug, optional lengths have bare leads.	SJTOW – 16/3	9K165	9K214	9K215	N/A	0.5
1 PH: ½ HP, 115 V; standard with plug, optional lengths have bare leads.	STOW – 14/3	9K385 - SJTOW	9K216*	9K161*	9K217*	0.9
1 PH: ½ & ½ HP, 208 & 230 V; standard with plug, opt. lengths have bare leads.	SJTOW – 16/3	9K164	9K214	9K215	N/A	0.5
1 PH: ¾ – 1 HP, 208 & 230 V with bare leads.	STOW – 14/3	9K163	9K216	9K161	9K217	0.9
3 PH: ½ – 1 HP, 200–230/460/575 V with bare leads.	STOW – 14/4	9K153	9K218	9K154	9K219	1.1
Item No. 455A, Sensor Cables						
Mechanical Seal Sensor - Standard for All Models	SJTOW – 16/2	9K189	9K220	9K221	9K222	0.5
Mechanical Seal/Heat Sensor - Optional for 3-Phase Models	SJTOW – 18/4	9K237	9K238	9K239	9K240	0.5

* Requires 5K111 Strain Relief Assembly and 1K208 Motor Cover.

MODEL 2WD/3WD (1725 RPM)

Item No.	Part Description	Material	Qty. Req.	Repair Parts Order Number				Max. Wt. (lbs.)
				1725 RPM				
				1/3 HP	1/2 HP	3/4 HP	1 HP	
100	Casing	Cast Iron	1	1K178				16.5
101	Impeller	Cast Iron	1	2K268 E = 4 ¹ / ₁₆ "	2K239 D = 5"	2K240 C = 5 ³ / ₈ "	2K241 B = 5 ³ / ₄ "	3.0
	Impeller	Bronze	1	2K279 E = 4 ¹ / ₁₆ "	2K280 D = 5"	2K281 C = 5 ³ / ₈ "	2K282 B = 5 ³ / ₄ "	3.5
112A	Lower Ball Bearing	Steel	1	4K132				–
112B	Upper Ball Bearing	Steel	1	4K132				–
184	Seal Housing	Cast Iron	1	1K229				9.5
195C	Discharge Flange - Standard 2" NPT	Cast Iron	1	6K76				1.5
	Discharge Flange - Optional 3" NPT			A1-3				
218	Insulating Oil – Gallons Required	Turbine Oil - ASTM150	–	4K432				7.5 lbs./gal.
	Gallons Required in Seal Housing			0.10				
	Gallons Required in Motor Cover			1.0				
246	Seal Sensor - Plug and Rod	Nylon/Brass	1	9K198				–
304	Impeller Locknut – All	AISI 300 SS	1	13K286				–
338	Motor – 1 Phase, 115V	Stainless Steel Shaft	1	119-493R	119-493R	N/A	N/A	13.0 to 24.0
	Motor – 1 Phase, 208V			119-4981R	119-4981R	119-4983R	119-4983R	
	Motor – 1 Phase, 230V			119-494R	119-494R	119-496R	119-496R	
	Motor – 3 Phase, 200V			N/A	119-4961R	119-4963R	119-4963R	
	Motor – 3 Phase, 230/460V			N/A	119-4911R	119-4913R	119-4913R	
	Motor – 3 Phase, 575V			N/A	119-4921R	119-4923R	119-4923R	
340	Bearing Housing	Cast Iron	1	1K228				10.0
341	Motor Cover – 1 Phase	Cast Iron	1	1K230		1K231		20.0
	Motor Cover – 3 Phase			1K231				
351	Casing Gasket	Composite	1	5K170				–
351A	Discharge Flange Gasket	Composite	1	5K150				–
352	Skt. Hd. Screw - Seal Hsg. to Motor Cover	AISI 300 SS	2	13K219				–
357	Hex Nut – Discharge Flange	AISI 300 SS	2	13K99				–
358	Plug – Seal Housing 1/4" NPT	AISI 300 SS	1	6K168				–
358E	Plug – Motor Cover 3/8" NPT	AISI 300 SS	1	6K169				–
361	Retaining Ring	AISI 300 SS	1	4K375				–
361D	Seal Retainer	AISI 300 SS	1	4K379				–
371C	Skt. Hd. Screw – Brg. Hsg. to Motor Cover	AISI 300 SS	2	13K271				–
371H	Hex Cap Screw – Discharge Flange	AISI 300 SS	2	13K153				–
372D	Hex Cap Screw – Housing to Casing	AISI 300 SS	4	13K222				–
376	Capacitor (1 Phase only) – Start	Varies	1	9K197		9K235		–
383	Mechanical Seal – Upper	Carbon/Ceramic	1	10K121 (Type 16)				–
387	Mechanical Seal – Lower (Standard)	Silicon Carbide	1	10K120 (Type 16)				–
	Mechanical Seal – Lower (Optional)	Tungsten Carbide	1	10K122 (Type 16)				–
412M	O-ring – Motor Cover	BUNA-N, AS568A-166	1	4K252				–
412P	O-ring – Seal/Bearing Housing	BUNA-N, AS568A-163	1	5K181				–
457	Wire Nut Power Cable - 3 Ph., 460V Seal/Heat Cable - Opt. 3 Ph. Only	Special	1 pkg.	N/A	9K145 (package of 8)			–
		Nylon Housing	1 pkg.	9K145 (package of 8)				–
458	Handle Assembly	AISI 300 SS	1	4K243				–
484	Strain Relief Assembly, Sensor Cable	Varies	1	5K113				–
484B	Strain Relief Assembly (Power Cable)	Varies	1	5K113		5K111		–
				N/A	5K111			
528	Washer – Discharge Flange	AISI 300 SS	2	13K82				–
–	Heat Sensor Kit (Optional)	–	1	9K261				–
–	Seal Installation Tool	–	1	A02A013				–
–	Loctite #271	–	1	AL27121				–

MODEL 2WD/3WD



CAPACITOR DATA		
"K" no.	MFD	VAC
9K197	161/193	110

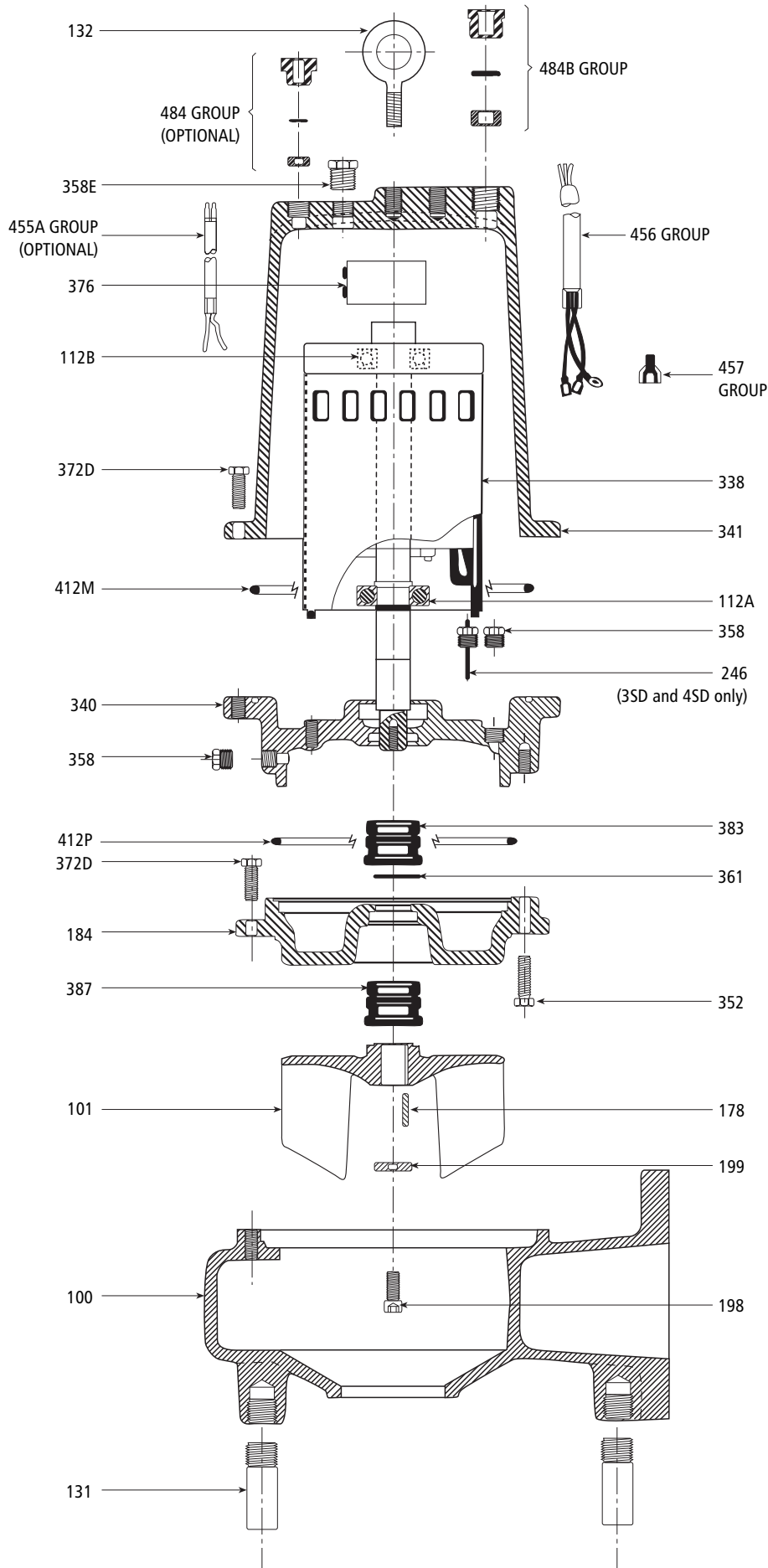
Item No. 456, Power Cables	Type and AWG Size	Standard length	Optional Lengths			Wt. (lbs./5 ft.)
		20'	30'	50'	100'	
1 PH: ½ HP, 115 V; standard with plug, optional lengths have bare leads.	SJTOW - 16/3	9K165	9K214	9K215	N/A	0.5
1 PH: ½ HP, 115 V; standard with plug, optional lengths have bare leads.	STOW - 14/3	9K385 - SJTOW	9K216*	9K161*	9K217*	0.9
1 PH: ½ & ½ HP, 208 & 230 V; standard with plug, opt. lengths have bare leads.	SJTOW - 16/3	9K164	9K214	9K215	N/A	0.5
1 PH: ¾ - 1 HP, 208 & 230 V with bare leads.	STOW - 14/3	9K163	9K216	9K161	9K217	0.9
3 PH: ½ - 1 HP, 200-230/460/575 V with bare leads.	STOW - 14/4	9K153	9K218	9K154	9K219	1.1
Item No. 455A, Sensor Cables						
Mechanical Seal Sensor - Standard for All Models	SJTOW - 16/2	9K189	9K220	9K221	9K222	0.5
Mechanical Seal/Heat Sensor - Optional for 3-Phase Models	SJTOW - 18/4	9K237	9K238	9K239	9K240	0.5

* Requires 5K111 Strain Relief Assembly and 1K208 Motor Cover.

MODEL 2WD/3WD (3500 RPM)

Item No.	Part Description	Material	Qty. Req.	Repair Parts Order Number				Max. Wt. (lbs.)
				3450 RPM				
				1/3 HP	1/2 HP	3/4 HP	1 HP	
100	Casing	Cast Iron	1	1K330				16.5
101	Impeller	Cast Iron	1	2K858 K = 2 ¹⁵ / ₁₆ "	2K856 J = 3 ³ / ₁₆ "	2K854 H = 3 ⁷ / ₁₆ "	2K852 A = 3 ³ / ₄ "	3.0
	Impeller	Bronze	1	2K859 E = 2 ¹⁵ / ₁₆ "	2K857 J = 3 ³ / ₁₆ "	2K855 H = 3 ⁷ / ₁₆ "	2K853 A = 3 ³ / ₄ "	3.5
112A	Lower Ball Bearing	Steel	1	4K132				–
112B	Upper Ball Bearing	Steel	1	4K132				–
184	Seal Housing	Cast Iron	1	1K229				9.5
195C	Discharge Flange - Standard 2" NPT	Cast Iron	1	6K76				1.5
	Discharge Flange - Optional 3" NPT			A1-3				
218	Insulating Oil – Gallons Required	Turbine Oil - ASTM150	–	4K432				7.5 lbs./gal.
	Gallons Required in Seal Housing			0.10				
	Gallons Required in Motor Cover			1.0				
246	Seal Sensor - Plug and Rod	Nylon/Brass	1	9K191				–
304	Impeller Locknut – All	AISI 300 SS	1	13K286				–
338	Motor – 1 Phase, 115V	Stainless Steel Shaft	1	119-4931R	119-4931R	N/A	N/A	13.0 to 24.0
	Motor – 1 Phase, 208V			119-4992R	119-4992R	119-4992R	119-4994R	
	Motor – 1 Phase, 230V			119-4932R	119-4932R	119-4934R	119-4934R	
	Motor – 3 Phase, 200V			N/A	119-4971R	119-4973R	119-4973R	
	Motor – 3 Phase, 230/460V			N/A	119-4941R	119-4943R	119-4943R	
	Motor – 3 Phase, 575V			N/A	119-4951R	119-4954R	119-4954R	
340	Bearing Housing	Cast Iron	1	1K228				10.0
341	Motor Cover – 1 Phase	Cast Iron	1	1K230		1K231		20.0
	Motor Cover – 3 Phase			1K231				
351	Casing Gasket	Composite	1	5K170				–
351A	Discharge Flange Gasket	Composite	1	5K150				–
352	Skt. Hd. Screw - Seal Hsg. to Motor Cover	AISI 300 SS	2	13K219				–
357	Hex Nut – Discharge Flange	AISI 300 SS	2	13K99				–
358	Plug – Seal Housing 1/4" NPT	AISI 300 SS	1	6K168				–
358E	Plug – Motor Cover 3/8" NPT	AISI 300SS	1	6K169				–
361	Retaining Ring	AISI 300 SS	1	4K375				–
361D	Seal Retainer	AISI 300 SS	1	4K379				–
371C	Skt. Hd. Screw – Brg. Hsg. to Motor Cover	AISI 300 SS	2	13K271				–
371H	Hex Cap Screw – Discharge Flange	AISI 300 SS	2	13K153				–
372D	Hex Cap Screw – Housing to Casing	AISI 300 SS	4	13K222				–
376	Capacitor (1 Phase only) – Start	Varies	1	9K197				–
383	Mechanical Seal – Upper	Carbon/Ceramic	1	10K121 (Type 16)				–
387	Mechanical Seal – Lower (Standard)	Silicon Carbide	1	10K120 (Type 16)				–
	Mechanical Seal – Lower (Optional)	Tungsten Carbide	1	10K122 (Type 16)				–
412M	O-ring – Motor Cover	BUNA-N, AS568A-166	1	4K252				–
412P	O-ring – Seal/Bearing Housing	BUNA-N, AS568A-163	1	5K181				–
457	Wire Nut Power Cable - 3 Ph., 460V Seal/Heat Cable - Opt. 3 Ph. Only	Special	1 pkg.	N/A	9K145 (package of 8)			–
		Nylon Housing	1 pkg.	9K145 (package of 8)				–
458	Handle Assembly	AISI 300 SS	1	4K243				–
484	Strain Relief Assembly, Sensor Cable	Varies	1	5K113				–
484B	Strain Relief Assembly (Power Cable)	Varies	1	5K113		5K111		–
				N/A	5K111			
528	Washer – Discharge Flange	AISI 300 SS	2	13K82				–
–	Heat Sensor Kit (Optional)	–	1	9K261				–
–	Seal Installation Tool	–	1	A02A013				–
–	Loctite #271	–	1	AL27121				–

MODELS 388D3/3SD, 388D4/4SD



CAPACITOR DATA			
"K" no.	MFD	VAC	Qty. Req.
9K144 ^①	20	370	2
9K233 ^②	30	370	2
9K262	50	370	2
9K332	60	370	See item 376
9K456 ^③	40	370	2

① Used prior to March 1991.

② Replaced by (1) 9K332.

③ Used on new 1 1/2 & 2 HP motors after May 2006 – check capacitor ratings before ordering replacements.

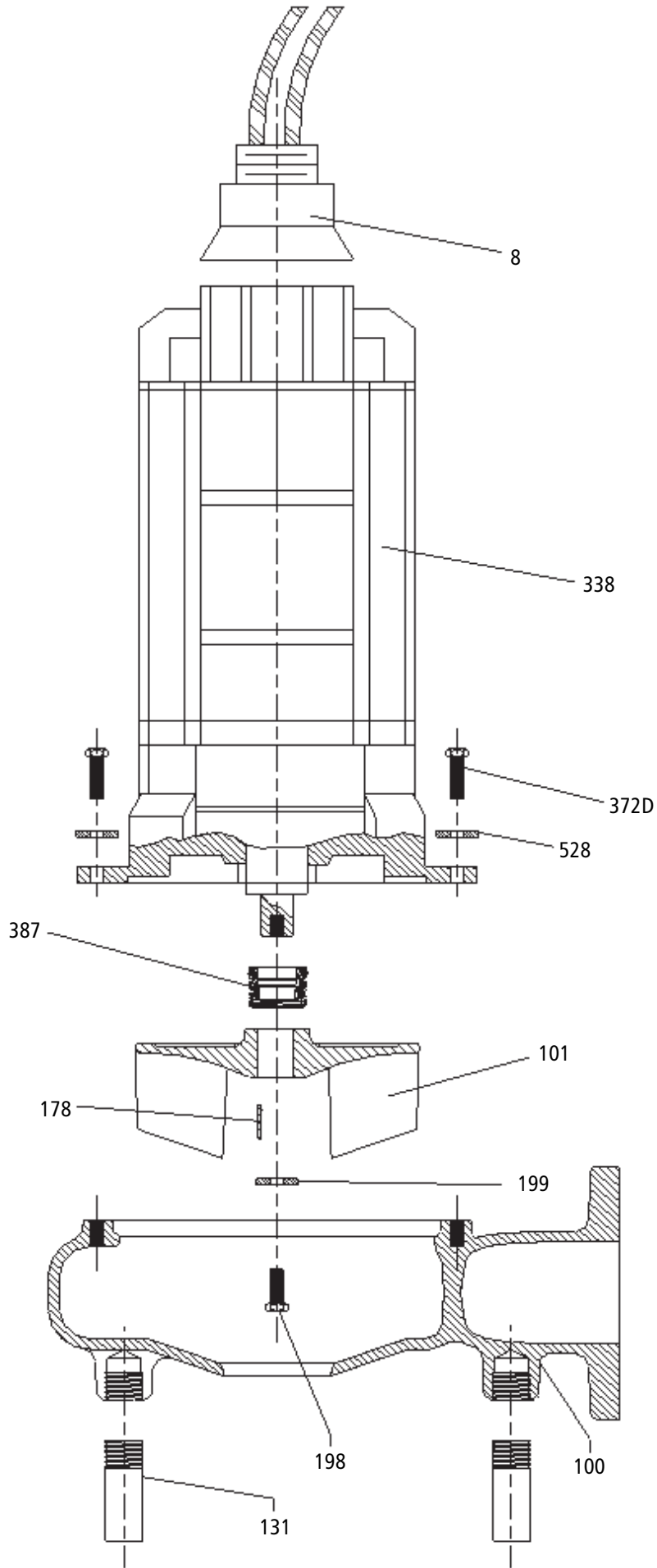
MODELS 3888D3/3SD, 3888D4/4SD

Item No.	Part Description	Material	Qty. Req.	Repair Parts Order Number – 1725 RPM						Max. Wt. (Lbs.)	
				1½ HP M	1½ HP	2 HP	3 HP	5 HP	7½ HP		
100	Casing – 3888D3, 3SD	Cast Iron	1	1K190						42.0	
	Casing – 3888D4, 4SD			1K219						52.0	
101	Impeller – 3888D3, 3SD, Standard	Cast Iron	1	2K514 5¼"	2K24 6½"	2K25 7.0"	2K26 7¼"	2K27 8.0"	N/A	7.0	
	Impeller – 3888D3, 3SD, Optional	Bronze		2K515 5¼"	2K284 6½"	2K285 7.0"	2K286 7¼"	2K287 8.0"	N/A	8.0	
	Impeller – 3888D4, 4SD, Standard	Cast Iron		2K512 5⅝"	2K294 6¼"	2K295 6⅝"	2K296 7.0"	2K830 7¼"	2K532 7⅞"	7.5	
	Impeller – 3888D4, 4SD, Optional	Bronze		2K513 5⅝"	2K329 6¼"	2K328 6⅝"	2K327 7.0"	2K326 7¼"	2K533 7⅞"	8.5	
112A	Lower Ball Bearing	Steel	1	4K135						4K402	–
112B	Upper Ball Bearing	Steel	1	4K384						–	
131	Pump Leg - Standard	Steel	3	4K42						–	
	Pump Leg - Optional	Cast Iron	1	4K625						–	
132	Eye Bolt	Galvanized Steel	1	13K193						–	
178	Impeller Key	AISI 300 SS	1	4K11						–	
184	Seal Housing – 3888D3, 3SD	Cast Iron	1	1K189						N/A	19.0
	Seal Housing – 3888D4, 4SD	Cast Iron	1	1K218						18.0	
198	Impeller Bolt	17-4PH SS	1	13K48						–	
199	Impeller Washer	AISI 300 SS	1	13L39						–	
218	Insulating Turbine Oil	Turbine Oil - ASTM 150	–	4K432						7.5 lbs./gal.	
	Gallons required in Seal Housing			3888D3, 3SD - .44 — 3888D4, 4SD - .38							
	Gallons required in Motor Cover			1.75				1.5			
246	Seal Sensor - Available Only on 3SD, 4SD	Nylon/Brass	1	9K191						–	
338	Motor – 1 Phase, 208V	Stainless Steel Shaft	1	114-9210R	114-9210R	114-9210R	114-9210R	N/A	N/A	–	
	Motor – 1 Phase, 230V			114-925R	114-925R	114-926R	114-927R	114-928R	N/A		
	Motor – 3 Phase, 200 V			114-9230R	114-9230R	114-9230R	114-9231R	114-9232R	N/A		
	Motor – 3 Phase, 230/460 V			114-9217R	114-9217R	114-9217R	114-9218R	114-9219R	119-961R		
	Motor – 3 Phase, 575 V			114-9227R	114-9227R	114-9227R	114-9228R	114-9229R	119-963R		
340	Bearing Housing	Cast Iron	1	1K176						1K303	28.0
341	Motor Cover– 3888D3, 3888D4	Cast Iron	1	1K177						39.0	
	Motor Cover – 3SD, 4SD	Cast Iron	1	1K299						39.0	
352	Hex Cap Screw-Seal Housing to Bearing Housing	AISI 300 SS	4	13K81						–	
358	Plug – Seal Housing ¼" NPT	AISI 300 SS	2	6K168						–	
358E	Plug – Motor Cover ½" NPT	AISI 300 SS	1*	6K170						–	
361	Retaining Ring	AISI 300 SS	1	4K305						–	
372D	Hex Screw – Bearing Housing to Motor Cover and Seal Housing to Casing	AISI 300 SS	8	13K186						–	
376	Capacitor, Run - 1 Phase, 208 V	Varies	1	9K262 Qty. - 2	9K262 Qty. - 2	9K262 Qty. - 2	9K262 Qty. - 2	N/A		–	
	Capacitor, Run - 1 Phase, 230 V - 9K332, pre D06 - 2 HP, pre F06 - 1.5 HP			9K332 Qty. - 1	9K332 Qty. - 1	9K332 Qty. - 1	9K262 Qty. - 2	9K332 Qty. - 2	N/A	–	
	Capacitor, Run - 1 Phase, 230 V - 9K456, D06 - 2 HP, F06 - 1.5 HP			9K456 Qty. - 2	9K456 Qty. - 2	9K456 Qty. - 2	9K262 Qty. - 2	9K332 Qty. - 2	N/A	–	
383	Mechanical Seal – Upper	Carbon/Ceramic	1	10K21 (Type 21)						–	
387	Mechanical Seal – Lower (Standard)	Silicon Carbide	1	10K28 (Type 31)						–	
	Mechanical Seal – Lower (Optional)	Tungsten Carbide	1	10K22 (Type 31)						–	
412M	O-Ring – Bearing Housing to Motor Cover	BUNA-N, AS568A-374	1	4K242						–	
412P	O-Ring – Bearing Housing to Seal Housing	BUNA-N, AS568A-265	1	5K74						–	
457	Wire Nut (Power Cable)	Special Nylon Housing	2	9K145 (14/3 Cords), 9K252 (10/3 Cords)						N/A	–
				6	9K145 (14/4 Cords), 9K252 (10/4 Cords)						–
					2	9K145					
484	Strain Relief Assembly – Sensor Cable	Varies	1	5K113						–	
484B	Strain Relief Assembly (Power Cable)	Varies	1	5K234 (14/3 Cords), 5K355 (10/3 Cords)						N/A	–
				5K226 (14/4 Cords), 5K227 (10/4 Cords)						–	
	Seal Installation Tool – Guide	Delrin	1	A01A008						–	
	Seal Installation Tool – Driver	Delrin	1	A02A017						–	
	Loctite #271		1	AL27121						–	

* 1 for 3SD/4SD and 2 for 3888D3/3888D4.

Power and Sensor Cables Description		Type and AWG Size	Standard Length	Optional Lengths			Wt. (lbs./5 ft.)
				20'	30'	50'	
Item No. 456, Power Cables							
1 PH: 1½ and 2 HP, 230 V, standard with bare leads.		STOW – 14/3	9K266	9K267	9K268	9K269	0.9
1 PH: 2 HP, 3 HP and 5 HP, 208 V, standard with bare leads.		STOW – 10/3	9K289	9K290	9K291	9K293	1.6
3 PH: 1½, 2 HP, 3 HP (except 200 V) and 5 HP, 460 V, 575 V – bare leads.		STOW – 14/4	9K153	9K218	9K154	9K219	1.1
3 PH: 3 HP, 200 V, 5 HP 200/230 V and all 7½ HP – bare leads.		STOW – 10/4	9K251	9K247	9K248	9K250	1.6
Item No. 455A, Sensor Cables							
Mechanical Seal Sensor: Standard on 3SD and 4SD. (N/A on 3888D3 and 3888D4)		SJTOW – 16/2	9K189	9K220	9K221	9K222	0.5
Seal/Heat Sensor: Optional on 3SD and 4SD.		SJTOW – 18/4	9K237	9K238	9K239	9K240	0.5

MODELS 3SDX/4SDX



MODELS 3SDX/4SDX

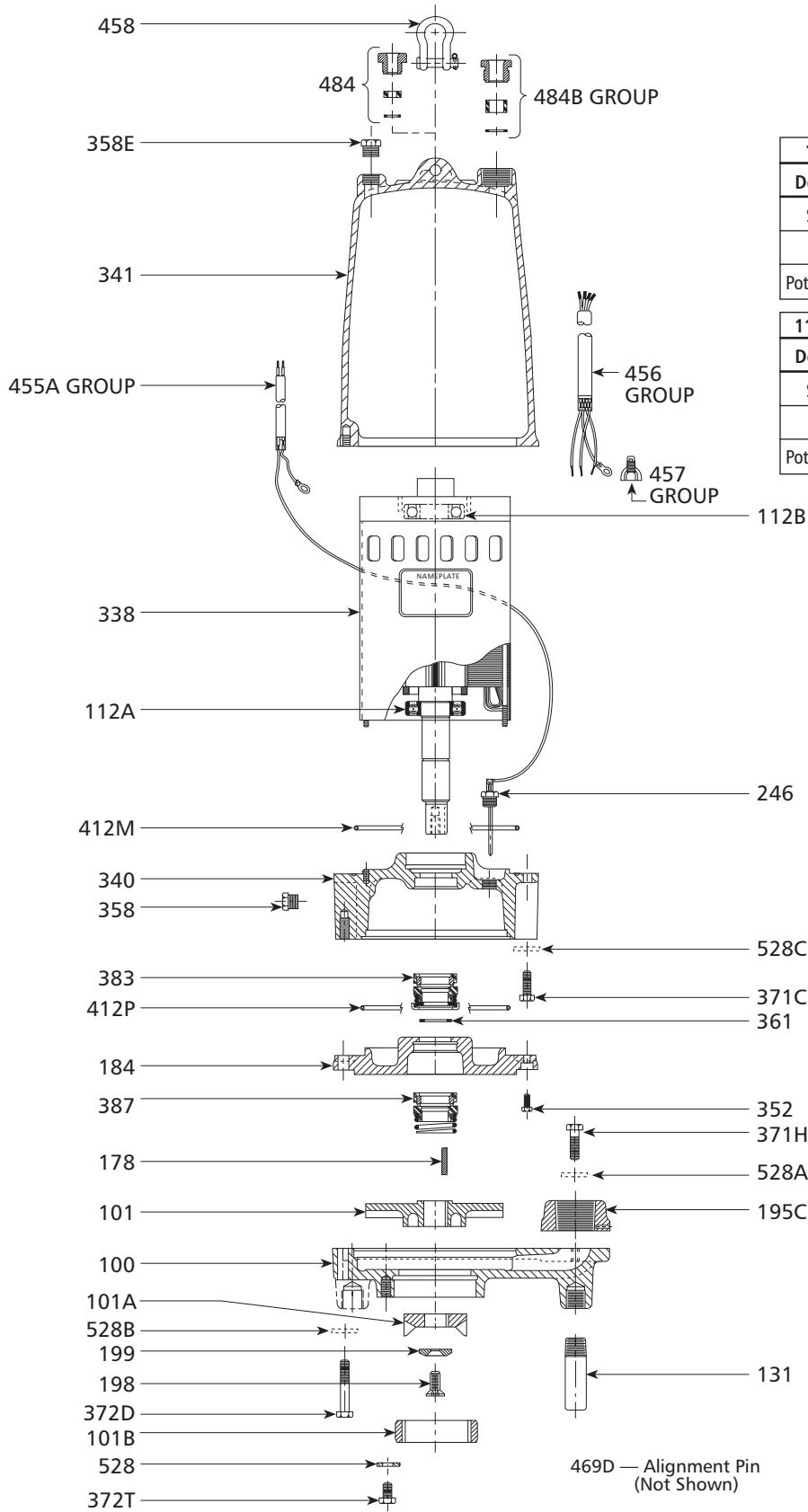
Item No.	Part Description	Material	Qty. Reqd.	Repair Parts Order Number					Max. Wt. (lbs.)	
				1750 RPM						
				1½ HP	2 HP	3 HP	5 HP	7½ HP		
100	Casing – 3SDX	Cast Iron	1	1K429					35.0	
	Casing – 4SDX			1K428					53.0	
101	Impeller – 3SDX	Cast Iron	1	2K918 5 ³ / ₁₆ "	2K916 6 ¹ / ₈ "	2K914 6 ³ / ₄ "	2K912 7 ⁵ / ₈ "	2K910 8 ⁵ / ₁₆ "		
	Impeller – 3SDX	Bronze		2K919 5 ³ / ₁₆ "	2K917 6 ¹ / ₈ "	2K915 6 ³ / ₄ "	2K913 7 ⁵ / ₈ "	2K911 8 ⁵ / ₁₆ "		
	Impeller – 4SDX	Cast Iron		N/A	2K904 5 ¹ / ₁₆ "	2K906 6 ⁵ / ₁₆ "	2K908 7 ¹ / ₈ "	2K532 7 ¹ / ₁₆ "		
	Impeller – 4SDX	Bronze			2K905 5 ¹ / ₁₆ "	2K907 6 ⁵ / ₁₆ "	2K909 7 ¹ / ₈ "	2K533 7 ¹ / ₁₆ "		
131	Foot - Standard	Steel	3	4K42					–	
	Foot - Optional	Cast Iron	1 Kit	4K625					–	
178	Impeller Key	AISI 300 SS	1	4K11					–	
198	Impeller Bolt	17-4 PH	1	13K48					–	
199	Impeller Washer	AISI 300 SS	1	13L39					–	
338	Motor	Stainless Steel	1	1 Phase, 230V	278-72 12	278-72 22	278-72 32	N/A	N/A	180TY 200 lbs. Air Filled
				3 Phase, 200V	278-72 13	278-72 23	278-72 33	278-72 43	278-72 53	
				3 Phase, 230V	278-72 14	278-72 24	278-72 34	278-72 44	278-72 54	
				3 Phase, 460V	278-72 15	278-72 25	278-72 35	278-72 45	278-72 55	
				3 Phase, 575V	278-72 16	278-72 26	278-72 36	278-72 46	278-72 56	
372D	Hex Cap Screw - Casing to Motor	AISI 300 SS	8	13K304					–	
NEW STYLE	Mechanical Seal – Standard	Carbon/Ceramic	1	10K137 (180TY)					–	
	Mechanical Seal – Optional	Silicon/Silicon	1	10K134 (180TY)						
	Mechanical Seal – Optional	Silicon/Tungsten	1	10K135 (180TY)						
OLD STYLE	Mechanical Seal – Standard	Carbon/Ceramic	1	10K136 (140TY)					–	
	Mechanical Seal – Optional	Silicon/Silicon	1	10K132 (140TY)						
	Mechanical Seal – Optional	Silicon/Tungsten	1	10K133 (140TY)						
528	Lockwasher	AISI 300 SS	8	13K158					–	

Reliance	Part Description	Material	Quantity	Repair No.	Motor Frame
Motor Repair Parts	Mechanical Seal Kit – Upper & Lower	Carbon/Ceramic	1 Set	10K183	180TY
	Bearing Kit – Upper & Lower	Steel	1 Set	4K700	
	O-Ring Kit	BUNA-N	1 Set	5K422	

Item No.	Models 3SDX/4SDX, Power and Control Cap/Cables	Type and AWG Size	Standard length	Optional Lengths	Wt. (lbs./5 ft.)
			25'	50'	
8	1 PH: 1½ HP, 230V, 140TY	SOW, SOOW – 10/4	9K357	9K358	
	1 PH: 1½, 2 and 3 HP, 230V, 180TY	SOW, SOOW – 8/4	9K359	9K360	
	3 PH: 1½, 2 and 3 HP, 200-230/460/575V, 140TY	SOW, SOOW – 14/4	9K361	9K362	
	3 PH: 5 HP, 200-230/460V, 180TY	SOW, SOOW – 12/4	9K365	9K366	
	3 PH: 7½ HP, 200-230/460V, 180TY	SOW, SOOW – 10/4	9K367	9K368	
	3 PH: 5 and 7½ HP, 575V, 180TY	SOW, SOOW – 14/4	9K363	9K364	
	3 PH: 1½, 2 and 3 HP, 200, 230, 460, 575V, 180TY	SOW, SOOW – 14/4	9K363	9K364	

Control Cable is AWG Size 18/5 - SOW.

MODEL 1GD



114-92 New Capacitor Package – 10/05			
Description	Repair	MFD	VAC
Start Cap		238	330
Run Cap	CP1GDB	50	370
Potential Relay		155031 - 102 or 110	

114-92 Old Capacitor Package – Pre 10/05			
Description	Repair	MFD	VAC
Start Cap		594	125
Run Cap	CP-1B	30	370
Potential Relay		RB60 (155031 - 102)	

Item No. 456, Power Cables	Type and AWG Size	Standard length				Wt. (lbs./5 ft.)
		20'	30'	50'	100'	
1 and 3 PH: 2 HP, 200–230/460/575V with bare leads.	STOW – 14/4	9K153	9K218	9K154	9K219	1.1
Item No. 455A, Sensor Cables						
Mechanical Seal Sensor - Optional	SJTOW – 16/2	9K189	9K220	9K221	9K222	0.5
Heat Sensor - Standard 1 Phase, Optional 3 Phase.	SJTOW – 16/2	9K189	9K258	9K259	9K260	0.5
Mechanical Seal/Heat Sensor - Optional	SJTOW – 18/4	9K237	9K238	9K239	9K240	0.5

MODEL 1GD

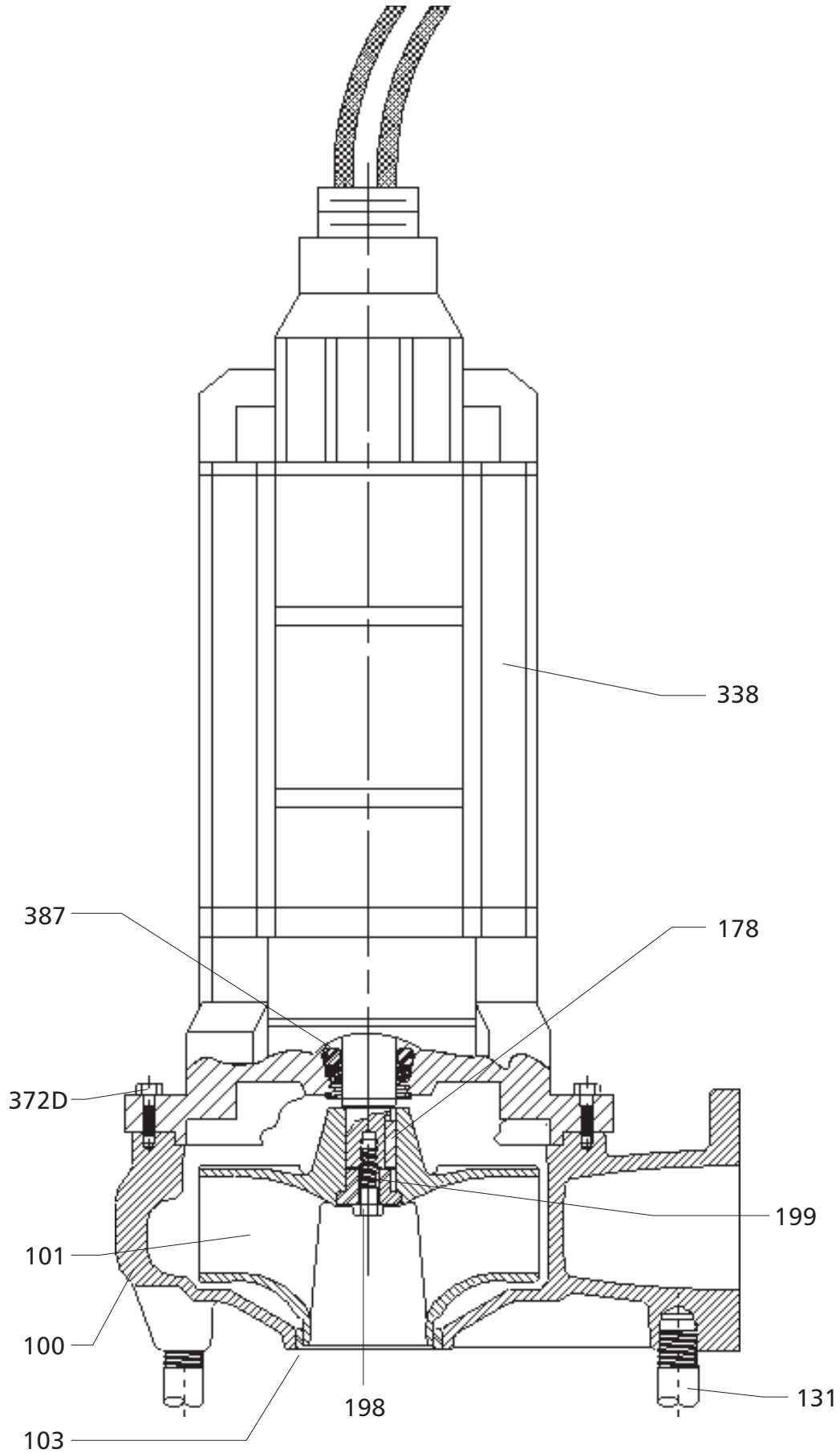
Item No.	Part Description	Material	Quantity Required	Repair Parts Order Number	Weight (lbs.)
100	Casing	Cast Iron	1	1K174	10.5
101	Impeller – 8th Digit Model Designation and Diameter	Bronze	1	2K247 A = 5 ⁵ / ₈ "	3.0
				2K332 B = 5 ¹ / ₄ "	
				2K333 C = 4 ³ / ₄ "	
				2K334 D = 4 ¹ / ₄ "	
101A	Cutter	AISI 440C SS	1	4K303	0.5
101B	Cutter Ring	AISI 440C SS	1	4K304	0.5
112A	Lower Ball Bearing	Steel	1	4K135	–
112B	Upper Ball Bearing	Steel	1	4K384	–
131	Foot – Standard	Steel	3	4K343	–
	Foot – Optional	Cast Iron	1 Kit	4K639	
178	Impeller Key	AISI 300 SS	1	4K11	–
184	Seal Housing	Cast Iron	1	1K226	8.5
195C	Discharge Flange	Cast Iron	1	4K313	1.0
198	Impeller Screw	AISI 300 SS	1	13K190	–
199	Impeller Washer	AISI 300 SS	1	13K191	–
218	Insulating Oil – Gallons Required	Turbine Oil - ASTM150	–	4K245	7.5 lbs./gal.
	Gallons Required in Seal Housing			0.98	
	Gallons Required in Motor Cover			0.23	
246	Seal Sensor - Plug and Rod (See Note)	Nylon/Brass	1	9K191	–
338	Motor – 1 Phase, 208V	Stainless Steel Shaft	1	114-921R	26.0 to 40.0
	Motor – 1 Phase, 230V			114-921R	
	Motor – 3 Phase, 200V			114-9220R	
	Motor – 3 Phase, 230/460V			114-9212R	
	Motor – 3 Phase, 575V			114-9292R	
340	Bearing Housing	Cast Iron	1	1K227	14.5
341	Motor Cover with Seal Sensor (See Note)	Cast Iron	1	1K197	23.0
	Motor Cover without Seal Sensor (See Note)			1K209	
352	Screw - Seal Housing to Bearing Housing	AISI 300 SS	2	13K347	–
358	Plug – Bearing Housing 1/4" NPT	AISI 300 SS	1	6K168	–
358E	Plug – Motor Cover 3/8" NPT	AISI 300 SS	1	6K169	–
361	Retaining Ring	Steel	1	4K305	–
371C	Hex Cap Screw – Brg. Hsg. to Motor Cover	AISI 300 SS	4	13K78	–
371H	Hex Cap Screw – Discharge Flange to Casing	AISI 300 SS	2	13K186	–
372D	Hex Cap Screw – Casing to Bearing Housing	AISI 300 SS	4	13K52	–
372T	Hex Cap Screw – Cutter Ring Retainer	AISI 300 SS	3	13K218	–
383	Mechanical Seal – Upper	Carbon/Ceramic	1	10K21 (Type 21)	–
387	Mechanical Seal – Lower (Standard)	Silicon Carbon	1	10K28 (Type 31)	–
	Mechanical Seal – Lower (Optional)	Tungsten Carbon		10K22 (Type 31)	
412M	O-ring – Motor Cover	BUNA-N, AS568A-166	1	4K252	–
412P	O-ring – Seal/Bearing Housing	BUNA-N, AS568A-256	1	5K73	–
457	Wire Nut	Nylon Housing	3	9K145	–
			4		
			6		
			3		
			2		
458	Lifting Handle	304 SS	1	4K494	–
469D	Alignment Roll Pin (Not Shown)	Steel	2	9K265	–
484	Strain Relief Assembly, Sensor Cable (See Note)	Varies	1	5K113	–
484B	Strain Relief Assembly, Power Cable	Varies	1	5K111	–
528	Washer –Cutter Ring Retainer	AISI 300 SS	3	13K212	–
528A	Lockwasher –Discharge Flange to Casing	AISI 300 SS	2	13K158	–
528B	Lockwasher –Casing to Bearing Housing	AISI 300 SS	4	13K158	–
528C	Lockwasher –Bearing Housing to Motor Cover	AISI 300 SS	4	13K117	–
–	Heat Sensor Kit (See Note)	–	1	9K261	–
–	Seal Installation Tool - Guide	Delrin®	1	A01A008	–
–	Seal Installation Tool - Driver	Delrin®	1	A02A017	–
–	Loctite® #271	–	1	AL27121	–

Notes: 1 phase (Old 114-92 #2 motor) has Heat Sensor (93711) supplied with motor, Goulds 3 phase is optional, Marlow 3 phase is standard.

New 1 Phase 114-92 #1 motor has in-line thermal protector

Old 1 Phase 114-92 #2 motor had pilot duty thermal protector

MODELS 4NS/4XD with Reliance Motors



MODELS 4NS/4XD with Reliance Motors

Item No.	Part Description	Material	Qty. Reqd.	Repair Parts Order Number								Max. Wt. (lbs.)	
				1750 RPM						1150 RPM			
				7½ HP	10 HP	15 HP	20 HP	25 HP	30 HP	40 HP	7½ HP		10 HP
100	Casing – with Wear Ring	Cast Iron	1	1K326								75.0	
101	Impeller – 4NS/4XD	Cast Iron		2K781 7½"	2K779 8"	2K776 9"	2K774 9¾"	2K772 10⅝"	2K771 10¾"	2K770 11"	2K773 10⅝"	2K770 11"	21.5- 28.0
	Impeller – 4NS/4XD	Bronze		2K795 7½"	2K793 8"	2K790 9"	2K788 9¾"	2K786 10⅝"	2K785 10¾"	2K784 11"	2K787 10⅝"	2K784 11"	25.0- 32.5
103	Casing Wear Ring	Bronze	1	4K264								2.0	
131	Foot - Standard	Steel	3	4K367 (Old), 4K42 (New)								2.0	
	Foot - Optional	Cast Iron	1 Kit	4K625								–	
178	Impeller Key	AISI 300 SS	1	4K392								–	
198	Impeller Bolt	AISI 300 SS	1	13K275								–	
199	Impeller Washer	AISI 300 SS	1	4K431								–	
338	Motor	Replace 279-26 with 279-27 for UL listed Explosion Proof Motor. Index Suffixes are the same.	1	279-26 1 (210TY)	279-26 11 (210TY)	279-26 21 (210TY)	279-26 31 (210TY)	279-26 41 (250TYS)	279-26 51 (250TYS)	279-26 61 (250TYS)	279-26 71 (210TY)	279-26 81 (210TY)	210TY 315 lbs. Air Filled 250TYS 750 lbs. Air Filled
				279-26 2 (210TY)	279-26 12 (210TY)	279-26 22 (210TY)	279-26 32 (210TY)	279-26 42 (250TYS)	279-26 52 (250TYS)	279-26 62 (250TYS)	279-26 72 (210TY)	279-26 82 (210TY)	
				279-26 3 (210TY)	279-26 13 (210TY)	279-26 23 (210TY)	279-26 33 (210TY)	279-26 43 (250TYS)	279-26 53 (250TYS)	279-26 63 (250TYS)	279-26 73 (210TY)	279-26 83 (210TY)	
				279-26 4 (210TY)	279-26 14 (210TY)	279-26 24 (210TY)	279-26 34 (210TY)	279-26 44 (250TYS)	279-26 54 (250TYS)	279-26 64 (250TYS)	279-26 74 (210TY)	279-26 84 (210TY)	
				279-26 5 (210TY)	279-26 15 (210TY)	279-26 25 (210TY)	279-26 35 (210TY)	279-26 45 (250TYS)	279-26 55 (250TYS)	279-26 65 (250TYS)	279-26 75 (210TY)	279-26 85 (210TY)	
372D	Hex Cap Screw - Casing to Motor	AISI 300 SS	8	13K45								–	
387	Mechanical Seal – Standard	Carbon/Ceramic	1	10K157			10K160			10K157		–	
	Mechanical Seal – Optional	Silicon/Silicon	1	10K158			10K161			10K158			
	Mechanical Seal – Optional	Silicon/Tungsten	1	10K159			10K162			10K159			

Power and Control Cap/Cables for Reliance Motors	Type and AWG Size	Standard length		Optional Lengths		Wt. (lbs./5 ft.)
		25'	50'	50'	50'	
	SOW, SOOW 14/4	9K423		9K431		
	SOW, SOOW 12/4	9K424		9K432		
	SOW, SOOW 10/4	9K425		9K433		
	SOW, SOOW 8/4	9K426		9K434		
	SOW, SOOW 6/4	9K427		9K435		
	SOW, SOOW 4/4	9K428		9K436		
	SOW, SOOW 2/4	9K429		9K437		
	SOW, SOOW 1/0/4	9K430		9K438		

Control Cable is AWG Size 18/5 - SOW-A, SO.

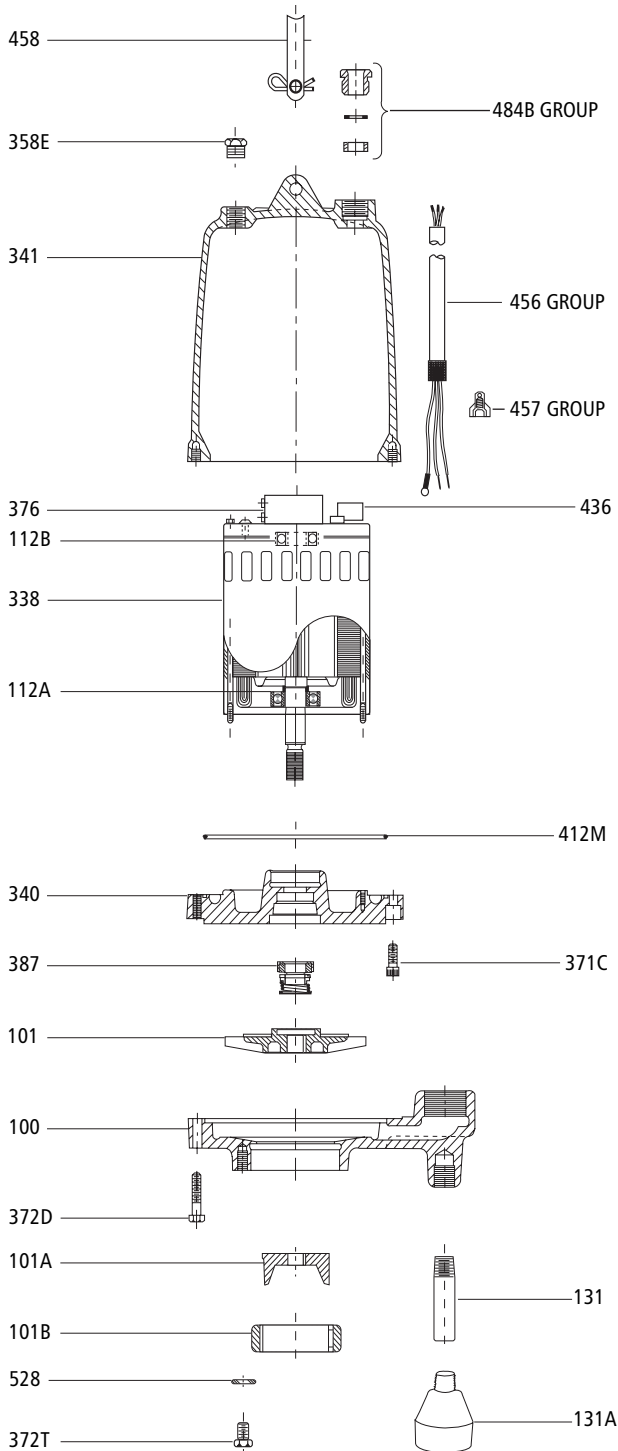
Parts for Pumps with USEM Motors									
372E	Hex Cap Screw - Bracket to Motor	AISI 300 SS	2	13K226		13K277		13K226	–
387	Mechanical Seal – Optional	Carbon/Ceramic	1	10K82		10K142		10K82	–
	Mechanical Seal – Optional	Silicon/Tungsten	1	10K83		10K85		10K83	
458	Lift Bracket	AISI 300 SS	1	4K433		4K434		4K433	3.5

Reliance	Part Description	Material	Quantity	Repair No.	Motor Frame	Repair No.	Motor Frame
Motor Repair Parts	Mechanical Seal Kit – Upper & Lower	Carbon/Ceramic	1 Set	10K181	210TY	10K182	250TY
	Bearing Kit – Upper & Lower	Steel	1 Set	4K698		4K699	
	O-Ring Kit	BUNA-N	1 Set	5K420		5K421	

Power and Control Cap/Cables for USEM Motors	Type and AWG Size	Standard Length	
		25'	50'
7½ – 15 HP, 200/230/380V; 7½ – 30 HP, 460/575V	SO – 8/4	9K279	9K280
20 – 25 HP, 200/230V	SO – 4/4	9K281	9K282
30 HP, 200/230V	SO – 2/4	9K283	9K284

Control Cable is AWG Size 18/5 - SOW-A, SO.

MODEL RGS2012



Item No.	Part Name	Material	Qty.	Repair Parts Order Number	Wt. (lbs.)
100	Casing	Cast iron	1	1K313	11
101	Impeller 5.69" dia.	Bronze	1	2K705	2.0
101A	Cutter with shims	AISI 440C SS	1	4K409	0.5
101B	Cutter ring	AISI 440C SS	1	4K304	0.5
112A	Lower ball bearing	Steel	1	4K384	—
112B	Upper ball bearing	Steel	1	4K132	—
131	Foot	Steel	3	4K343	—
131A	Optional Pump Legs	Steel	3	4K639	—
218	Insulating oil	Turbine Oil ASTM150	.98 gal	4K432 See Index Page	7.5 lbs/gal
338	Motor with Brg. Hsg. #340	—	—	120-212R	19
340	Bearing housing	Cast iron	—	—	—
341	Motor cover – Use with cord with NEMA plug power cable without plug	Cast iron	1	1K207 1K208	18.5
358E	Plug – motor cover 3/8" NPT	AISI 300 SS	1	6K169	—
371C	Screw – bearing housing to motor cover	AISI 300 SS	4	13K271	—
372D	Screw – casing to bearing housing	AISI 300 SS	4	13K336	—
372T	Screw – cutter ring retainer	AISI 300 SS	3	13K218	—
376	Capacitor (start)	—	1	9K353	—
387	Mechanical seal (standard) Mechanical seal (optional)	Silicon Carbide Tungsten Carbide	1	10K119 10K123	—
412M	O-ring – motor cover	BUNA-N	1	4K252	—
436	Solid state switch	—	1	9K395	—
456	Power cable	—	1	See power cable chart	—
457	Wire nut	Nylon	2	9K145	—
458	Handle assembly	AISI 300 SS	1	4K243	—
484B	Strain relief assembly – power cable with plug power cable without plug	Varies	1	5K113 5K111	—
528	Washer – cutter ring retainer	AISI 300 SS	3	13K212	—

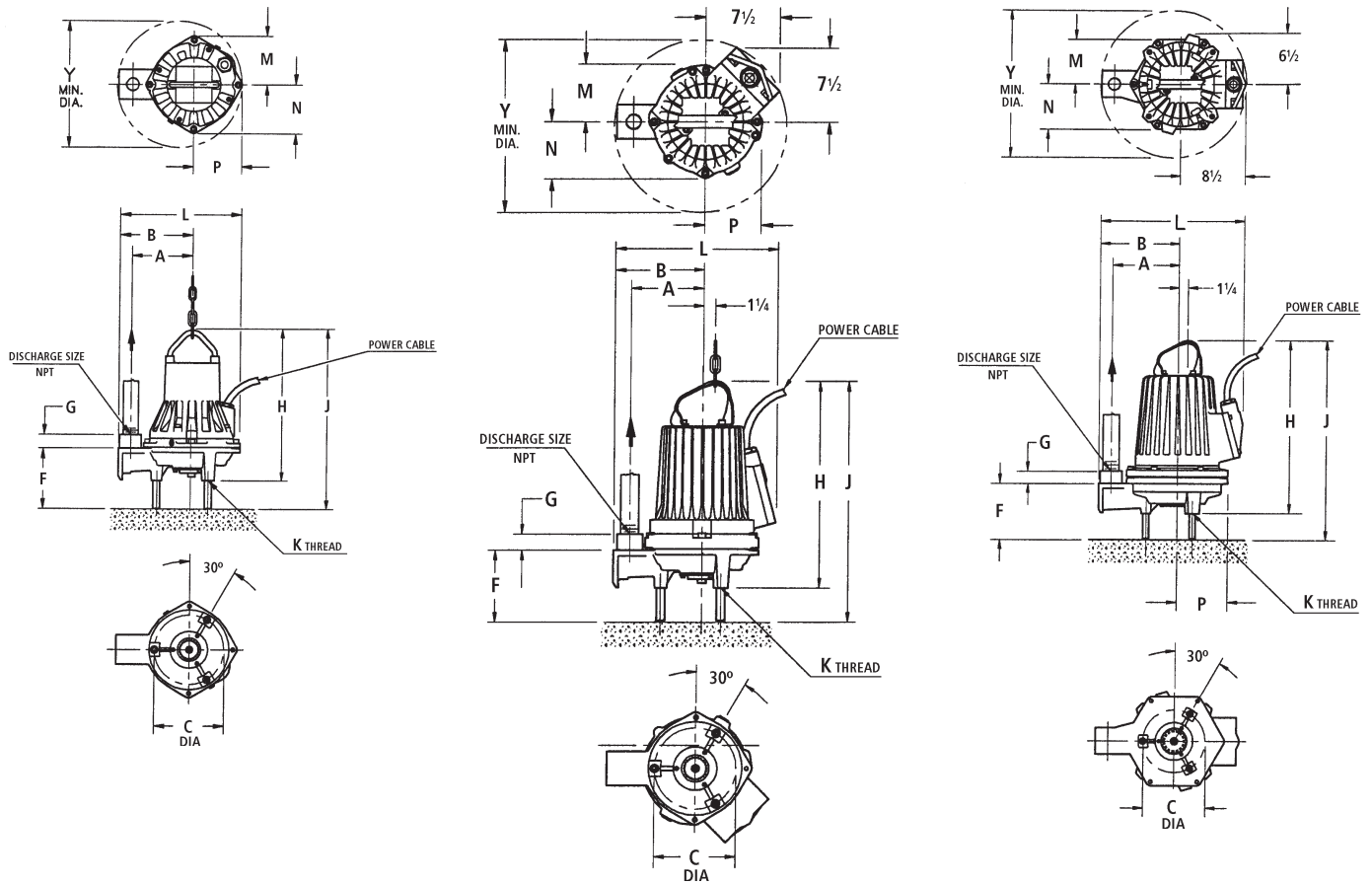
RESIDENTIAL GRINDER POWER CABLES

Residential Grinder Power Cables	Standard length	Optional Lengths			Wt. (lbs./5 ft)
	20'	30'	50'	100**	
1 Phase, 2 HP, 230V - STOW - 14/3 with bare leads	9K266	9K267	9K268	9K269	0.9
1 Phase, 2 HP, 230V - SJTOW - 14/3 with Nema plug	9K393	9K394	N/A	N/A	0.9

* Maximum allowable cord length. ** Includes 230V NEMA plug.

9K353 capacitor is a 295/355 MFD, 125 VAC start capacitor with resistor.

MODELS 1GA/2GA



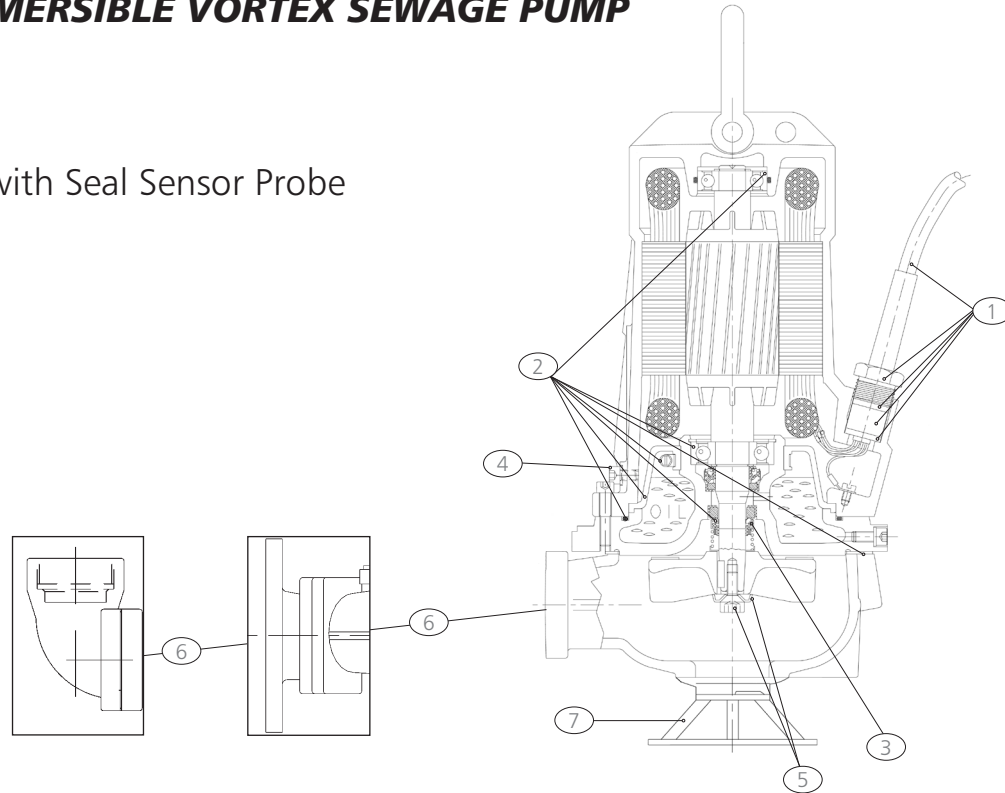
Pump	Impeller Code	Phase	Impeller	Repair Kit	Inner Seal	Outer Seal	Cutter Wheel	Cutter Ring	O-Ring Kit
2 HP	H	1	2K1227	5K481	10K201	10K208	4K812	4K814	NA
2 HP	L	1	2K1228					4K818	NA
3 HP	G	1	2K1229	5K482	10K202	10K207	4K813	4K817	NA
3 HP	K	1	2K1230					NA	NA
5 HP	J	1	2K1225	5K483	10K205	10K209	4K813	4K819	NA
5 HP	F	1						NA	NA
3 HP	C	3	2K1222	5K479	10K201	10K206	4K812	4K814	NA
5 HP	B	3	2K1223	NA	10K202	10K207	4K813	4K815	5K484
5 HP	E	3	2K1224					4K816	
7.5 HP	A	3	2K1225	5K480	10K203	10K205	4K813	4K817	NA
7.5 HP	D	3	2K1226		10K204			NA	

Repair Kit Includes: Seals, O-rings, Bearings

O-Ring Kit: Includes all O-rings

ROBOT – SUBMERSIBLE VORTEX SEWAGE PUMP

Dual Seal with Seal Sensor Probe



Goulds Part No.	Item No.	Robot Pump	Description	Included
9K502	1	Up to and including 5.4 HP	14/7 cable with accessories and connections	Cable, cable entry gland, clamp, sleeve, cable connectors crimps and hardware
9K503		Up to and including 16.5 HP	12/7 cable with accessories and connections	Cable, cable entry gland, clamp, sleeve, cable connectors crimps and hardware
5K459	2	Up to and including 6.2 HP	Repair Kit	Bearings, both mechanical seals, o-rings and gaskets
10K193	3	Up to 6.2 HP	Lower Mechanical Seal	Lower Mechanical Seal
5K463	4	Up to 6.2 HP	Dobo Ring	Dobo ring
4K789	5	Up to 6.2 HP	Impeller Hardware	Key, cap, screw
1K588	6	2" Discharge kit	2" discharge Kit	2" Discharge Elbow, NPT
1K589		3" Discharge Kit	3" Discharge Kit	3" Discharge Flanged
1K590		4" Discharge Kit	4" Discharge Kit	4" Discharge Flanged
1K591	7	2" - 2.5" Suction Pump Stand**	See suction size on bulletin	Pump Stand
1K592		2.88" Suction Pump Stand**		
1K593		3" Suction Pump Stand**		
1K594		4" Suction Pump Stand**		

* Higher HP accessories will be special ordered. ** Note: These are rated on SUCTION size NOT discharge.

CONTROL PANEL REPAIR PARTS

RB Number	Description	SES Control Panel	"A" Series Control Panel	Manufacturing Number
RB-1	Single phase contactor, 2 pole	D10020, D10020N1, D10027, D10036	A6-0511, A6-1012, A-2012, A6-3012, A-5012, G6-2012	Furnas 41NB20AFP
RB-4	Pump circuit breaker		A6-3012	Square D – QOU230
RB-5	Pump circuit breaker		A6-5012	Square D – QOU240
RB-6	Pump circuit breaker		G6-2012 / A6-1012	Square D – QOU220
RB-24	Three phase contactor		03-J3	ABB DP40C3P-1/B
RB-30	Control circuit breaker		A6-1012, A6-2012, A6-0511	Square D – QOU110
RB-31	Seal sensor relay		A4-3, A4-4	Boulay BFI-SFR-120
RB-32*	Single phase contactor, 2 pole with auxiliary contact	S10020, S10020N1, S10027, S10036 with relays	A3-2012, A3-3012, A3-5012, G3-2012	Furnas 41NB20AFPM6R used on panels with relays
RB-34	Control circuit transformer	All three phase SES controls	A3-5034, A6-5032, A6-5034	Square D – XF75
RB-35	Time delay relay		A6-0511, A6-1012, A6-2012, A6-5032, A6-5034, A5-1 (Before 11/98)	SSAC, TSD 74115
RB-36	Control relay	All SES simplex controls	A6-0511, A6-1012, A6-2012, A6-5032, A6-5034, A5-1, A4-1, A4-1N4 (Before 11/98)	Potter and Brumfield KUP14A15-120
RB-37	Pump circuit breaker		A6-0511	Square D – QOU115
RB-38	Pump circuit breaker		A6-2012 (Before 11/98)	Square D – QOU215
RB-39	Control circuit breaker		A6-5032	Square D – QOU210
RB-40	Pump circuit breaker		A6-5032	Square D – QOU330
RB-41	Control circuit breaker		A6-5034	Airpax 219-2-1-63-7-2-10
RB-42	Pump circuit breaker		A6-5034	Airpax 219-3-1-63-7-2-15
RB-46	Three phase contactor, 3 pole with auxiliary	S31625-S32025		Furnas 41NB30AFPM6R
RB-47	Three phase contactor, 3 pole	D31625-D32025		Furnas 41NB30AFP

* Panels with plug-in relays. Units with printed circuit boards use RB-81.

Continued on next page.

CONTROL PANEL REPAIR PARTS (continued)

RB Number	Description	SES Control Panel	"A" Series Control Panel	Manufacturing Number
RB-50	Alarm horn	All SES controls		Floyd MW-09-201-QC
RB-51	Control relay	All SES duplex controls	A4-1, A4-1N4 (After 11/98)	Potter and Brumfield KHUA-11A11-120
RB-52	Motor circuit protector	S31625, D31625		Cutler Hammer A-302 GN
RB-53	Motor circuit protector	S32540, D32540		Cutler Hammer A-302 HN
RB-54	Motor circuit protector	S34063, D34063		Cutler Hammer A-302 JN
RB-55	Motor circuit protector	S36310, D36310		Cutler Hammer A-302 KN
RB-56	Motor circuit protector	S31016, D31016		Cutler Hammer A-302 LN
RB-57	Motor circuit protector	S31620, D31620		Cutler Hammer A-302 MN
RB-58	Motor circuit protector	S32025, D32025		Cutler Hammer A-302 NN
RB-59	Overload relay		A3-5012, A3-3012, A6-3012, A6-5012, G3-2012, G6-2012	Furnas 48DA18AA4
RB-60	Motor start relay		G3-2012, G6-2012	Franklin Electric 155031102
RB-61	Motor start capacitor		G3-2012, G6-2012	Mallory 580UF
RB-62	Motor run capacitor		G3-2012, G6-2012	30UFC370VAC
RB-63	Flashing red alarm light	All SES simplex panels (before 11/98)		BL4-30
RB-64	Flashing red alarm light	All SES duplex panels (before 11/98)		BL4-40
RB-70	Flashing red alarm light (after 11/98)	All S31625-S32025 D10020, D10020N1, S10020, S10020N1		Ingram MX-15
RB-71	Flashing red alarm light (after 11/98)	All D31625-D32025 D10027, D10036		Ingram LRX-40
RB-72	Pump run light assembly	All SES panels except S10020, D10020N1		BACO, C20SA20
RB-73	Alarm test button assembly	All SES panels except S10020N1, D10020N1		BACO, C21AA01
RB-74	Alarm reset button assembly	D10020, D10027, D10036 D31625-D32025		BACO, C21AA02
RB-75	Duplex logic control board	All SES duplex panels	A6-2012, G6-2012, A6-5032, A6-5034, A6-3012, A6-5012 (after 11/98)	Boulay BFI-LLC-120
RB-76	Alarm silence button assembly	All SES panels except D10020N1, S10020N1		BACO, C21AA01
RB-77W	Replacement LED white	All SES panels		Square D ZB5AVG1
RB-77G	Replacement LED green	All SES panels		Square D ZB5AVG3
RB-77R	Replacement LED red	All SES panels		Square D ZB5AVG4
RB-79G	Lens light green	All SES panels		Square D ZB5AV033
RB-77G	Lens light white	All SES panels		Square D ZB5AV013
RB-77R	Lens light red	All SES panels		Square D ZB5AV043
RB-78	Circuit Breaker	D10020N1, D10020		QOU-225
RB-80	Simplex logic board	All simplex panels		BFI-SIMLLC-120
RB-81	Contactora 1Ø	S10020, S10020N1, D10020, D10020N1 AFTER 1-1-09		ABB DP30C2P-1

SUMP, EFFLUENT AND SEWAGE REPAIR PARTS OIL VOLUMES

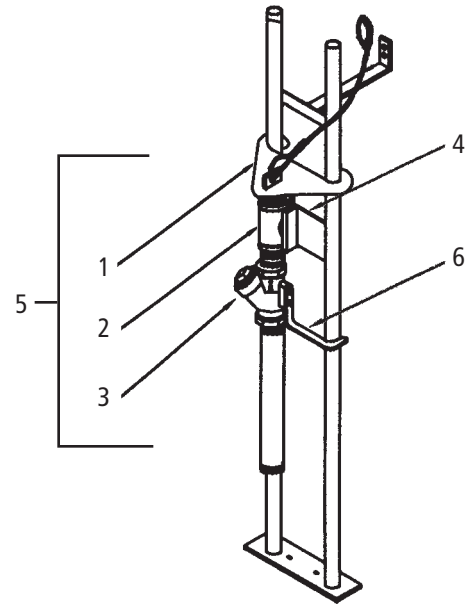
Model	Oil Volume - Motor Housing	Oil Volume - Seal Housing
	Quarts	Quarts
ST 31	1.32	N/A
PE31	1.32	N/A
PE41	1.32	N/A
PE51	1.32	N/A
PS41	1.70	N/A
PS51, PV51	1.70	N/A
3871 (EP's - .4 hp)	1.00	N/A
3871 (EP's - .5 hp)	0.85	N/A
3872 (WW's)	0.85	N/A
3885 (WE's) - A.O. Smith	3.90	N/A
3885 (WE's) - Franklin	3.50	N/A
2ED's - A.O. Smith	3.90	0.40
3886 (WS__B)	3.90	N/A
3887BF (WS__BF)	3.90	N/A
3887BHF (WS_BHF) - A.O. Smith	3.90	N/A
3887BHF (WS_BHF) - Franklin	3.50	N/A
2/3WD's - A.O. Smith	3.90	0.40
3888D3 (WS____D3)	7.00	1.70
3SD's	7.00	1.70
3888D4 (WS____D4)	7.00	1.50
4SD's	7.00	1.50
3888D4 (WS____D4) - 7½ HP	6.00	1.50
4SD's - 7½ HP	6.00	1.50
RGS2012	3.90	N/A
1GD - Single Phase	3.55	0.90
1GD - Three Phase	3.90	0.90

Noco T-32 oil is standard.

Note: Normally a minimum of a 1" air gap at the top of the motor/seal housing should be maintained due to thermal expansion of the oil.

A10-12, A10-2015 and A10-20

Item No.	Description	A10-12	A10-20 and A2015
1	Upper Guide Bracket	4K800	4K801
2	Brass Qick Disconnect	4K802	4K803
3	CI Ball Check Valve	4K804	4K805
4	O-Ring Disconnect	4K806	4K807
5	Movable Side	4K808	4K809
6	Lower Stand Off	4K810	4K811



ITT

2881 East Bayard Street, Seneca Falls, NY 13148

Phone: (315) 568-7123 • Fax: (315) 568-7973

www.goulds.com

Goulds Pumps is a registered trademark of ITT Corporation. ITT, the Engineered Blocks Symbol and Engineered for Life are registered trademarks of ITT Manufacturing Enterprises, Inc.

Copyright © 2010 ITT Corporation RSES February, 2010
SPECIFICATIONS ARE SUBJECT TO CHANGE WITHOUT NOTICE.

Printed in U.S.A.



Engineered for life