



SERVICE PARTS LIST

BULLETIN NO.
54-49-2590

SPECIFY CATALOG NO. AND SERIAL NO. WHEN ORDERING PARTS				REVISED BULLETIN	DATE
12 VOLT RADIO					Aug. 2009
CATALOG NO.	2590-20	SERIAL NUMBER	C22A	WIRING INSTRUCTION SEE BACK PAGE	

EXAMPLE:

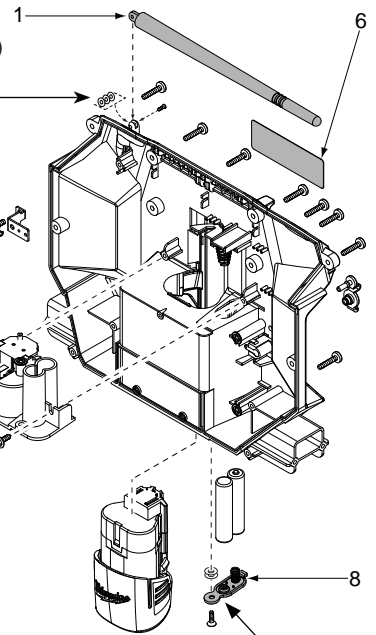


Component Parts (Small #)
Are Included When Ordering
The Assembly (Large #).

Run a very thin bead of rubber cement on the round rim of the inside front housing of the radio where the speakers are seated prior to installing new speakers.

NOTE:

When removing the Antenna (1) for replacement, care must be taken not to lose the 3 small washers and screw that came with the old antenna. Reuse those parts when installing the new antenna. Washers can be stacked together and placed on either side of antenna before securing with screw.



NOTE:

Reuse the existing screw and fiber washers if the Battery Cover (8) is being replaced.

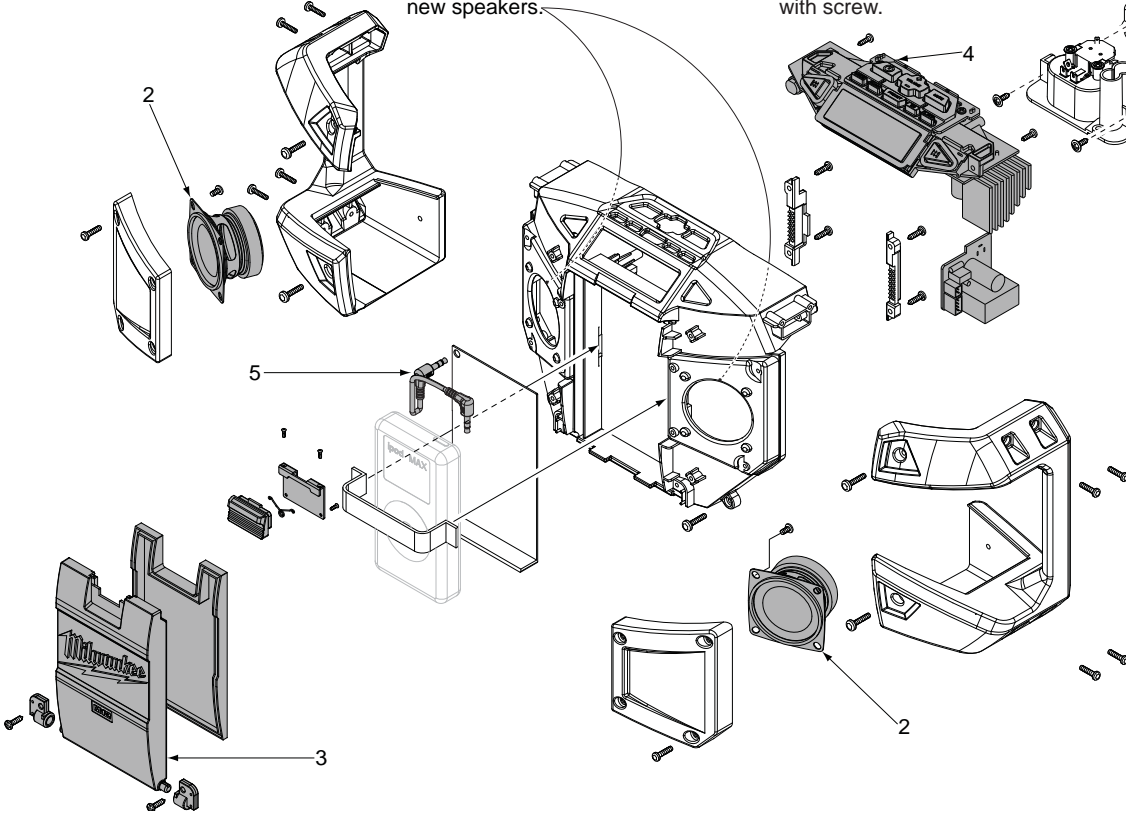


FIG.	PART NO.	DESCRIPTION OF PART	NO. REQ.
1	42-09-1020	Antenna	(1)
2	23-45-2050	Speaker Kit	(1)
3	31-15-2175	Door Kit	(1)
4	22-09-0580	PC Board Kit	(1)
5	42-44-0225	Aux Input Cable	(1)
6	12-20-2125	Service Nameplate Kit	(1)
7	23-81-0700	Wall Transformer (Not Shown)	(1)
8	31-15-0880	Battery Cover	(1)

FIG. 6 A clean, dry surface is essential for proper performance for any adhesive system. The area intended for application of any adhesive label or nameplate must be prepared by cleaning with isopropyl alcohol. The solvent is to be applied with a clean, lint free applicator and the surface allowed to dry before applying the label or nameplate.

PC Board Kit
22-09-0580

Speaker Connector

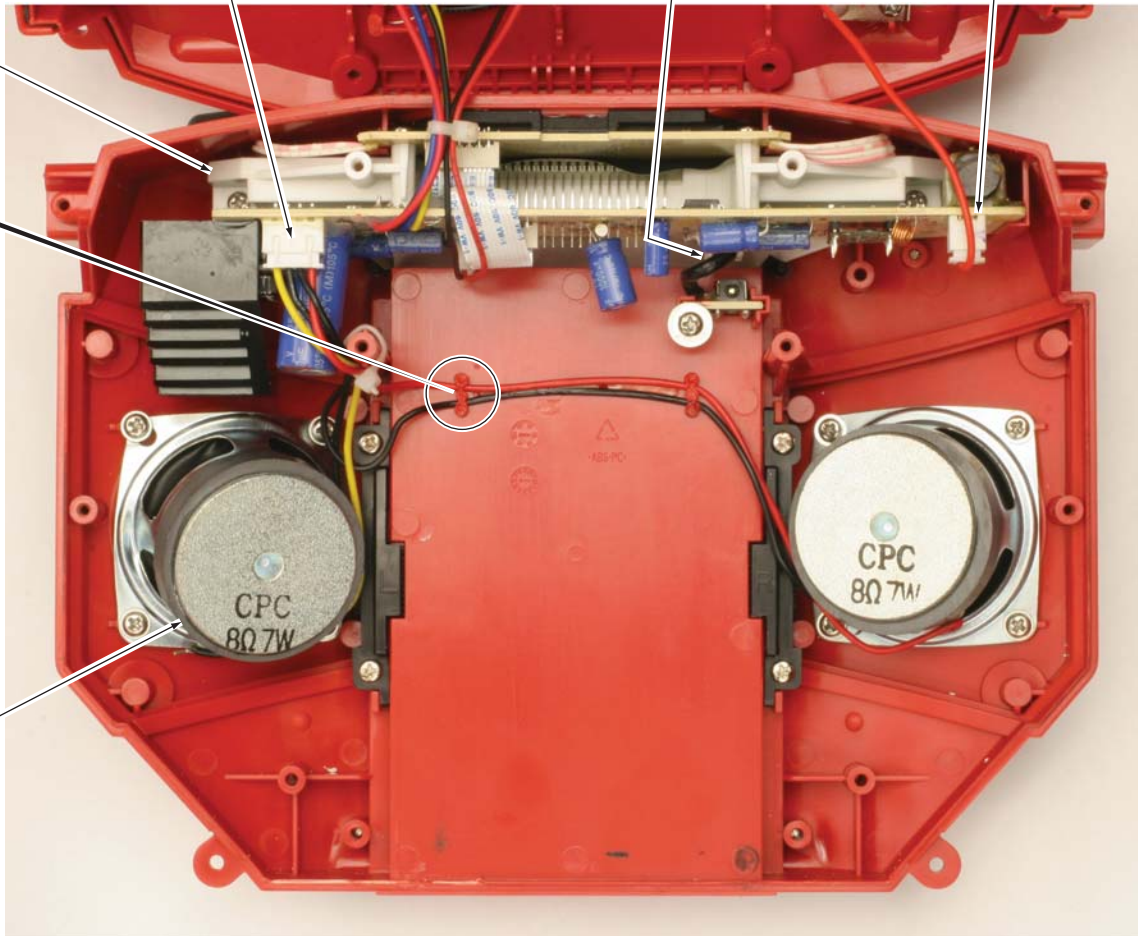
Aux Input Connector
(Located behind capacitor)

Antenna Connector



NOTE:

As part of the assembly process, tops of wire trap posts are slightly melted over to secure wires. When replacing Speaker Kit or PC Board Kit, side cutters or a small grinder can be used to open the trapping posts to free the old wires. Install new service kits and route wires as shown. Secure the wires with a dab of RTV adhesive at the trap locations.



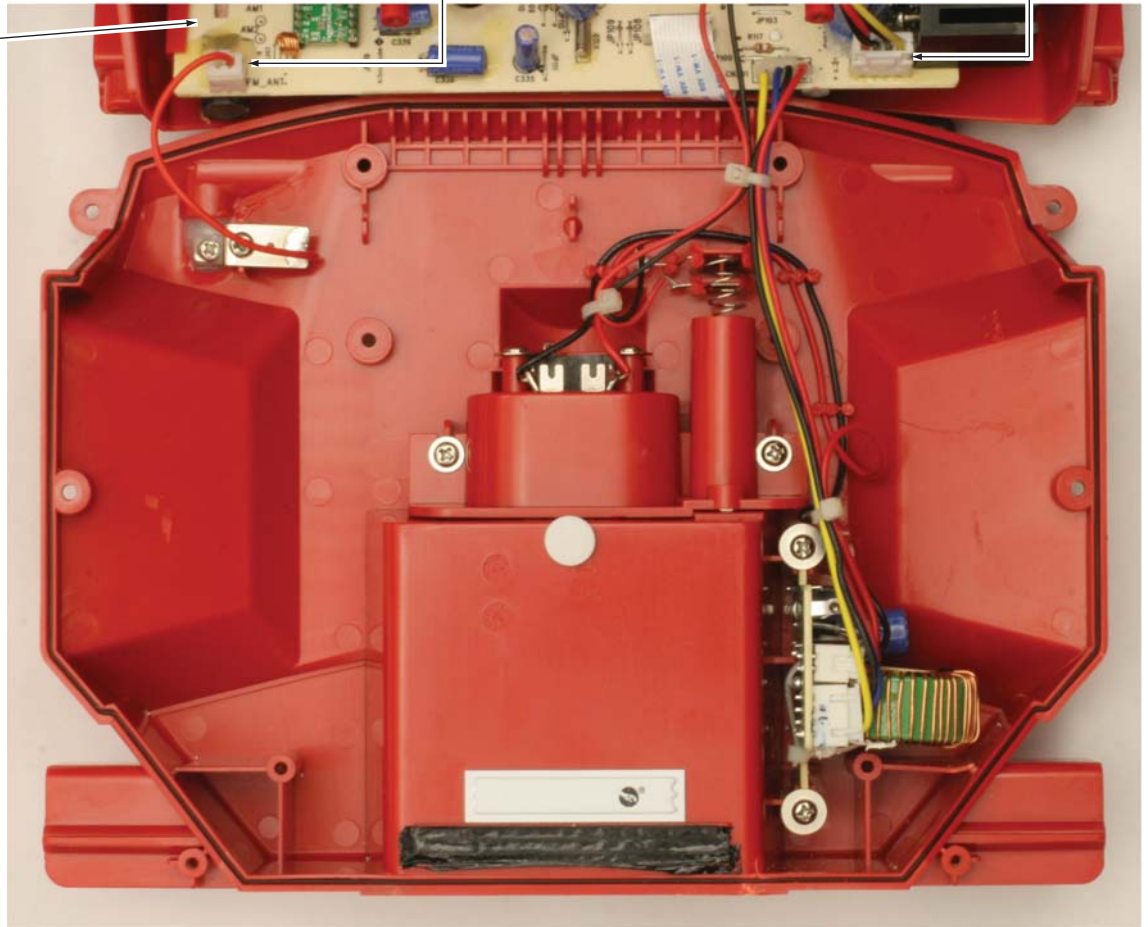
Speaker Kit
23-45-2050

FRONT RADIO HOUSING

Antenna Connector

Speaker Connector

PC Board Kit
22-09-0580



BACK RADIO HOUSING