
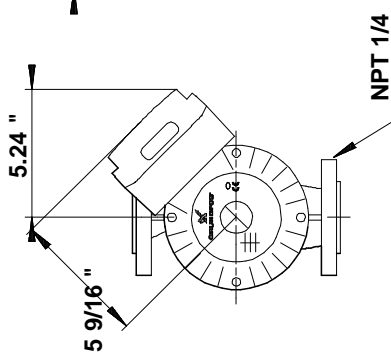
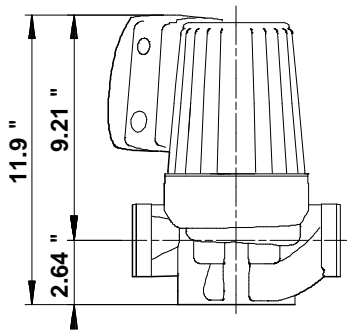
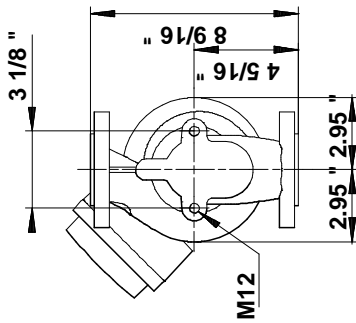
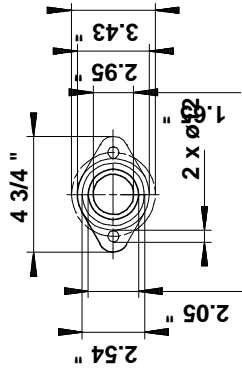




Position	Count	Description	Unit price
	-1	<p>UP 43-110 F</p>  <p>Product photo could vary from the actual product</p> <p>Product No.: 96439643 The pump is of the canned rotor type, i.e. pump and motor form an integral unit without shaft seal and with only two gaskets for sealing. The bearings are lubricated by the pumped liquid.</p> <p>In order to avoid problems in connection with disposal, great importance has been attached to using as few different materials as possible.</p> <p>The pump is characterized by:</p> <ul style="list-style-type: none"> * 3-speed motor. * Ceramic radial bearings. * Carbon axial bearing. * Stainless steel rotor can, bearing plate and rotor cladding. * Aluminium alloy stator housing. * Cast iron pump housing. * Stator with built-in thermal switch. <p>The motor is a 1-phase motor.</p> <p>The pump is supplied with a standard module in the terminal box. The standard module is to be connected to the mains supply via external contactor.</p> <p>Controls: Relay: without relay</p> <p>Liquid: Liquid temperature range: 14 .. 230 °F Density: 62.4 lb/ft³</p> <p>Technical: Approvals on nameplate: UL,CUL</p> <p>Materials: Pump housing: Cast iron EN-JL1040</p>	On request

Position	Count	Description	Unit price
		<p>Impeller: ASTM 35 B - 40 B Stainless steel DIN W.-Nr. 1.4301 AISI 304</p> <p>Installation: Maximum ambient temperature: 104 °F Maximum operating pressure: 125 psi Flange standard: USA Type of connection: F Pipe connection: 43 Pressure stage: 125 psi Port-to-port length: 8 9/16 in</p> <p>Electrical data: Max. power input: 590 W Main frequency: 60 Hz Rated voltage: 1 x 115/230 V Current in speed 3: 5,1/2,7 A Cos phi: 0,98 Capacitor size - run: 60 µF/240 V Enclosure class (IEC 34-5): X4D Insulation class (IEC 85): F</p> <p>Others: Net weight: 33.1 lb Gross weight: 40.6 lb Shipping volume: 2.08 ft³</p>	

96439643 UP 43-110 F 60 Hz



Note! All units are in [mm] unless others are stated.
 Disclaimer: This simplified dimensional drawing does not show all details.