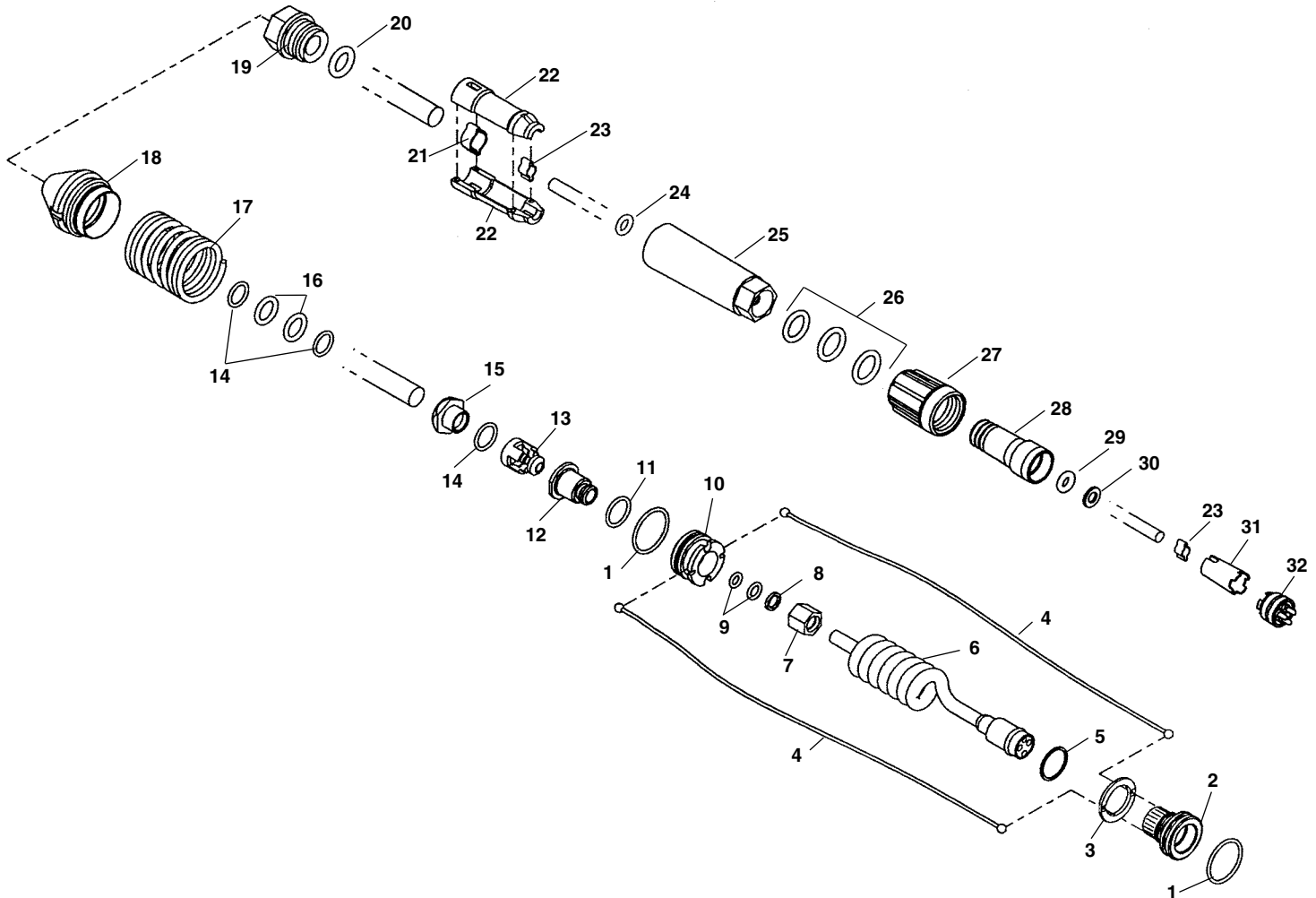


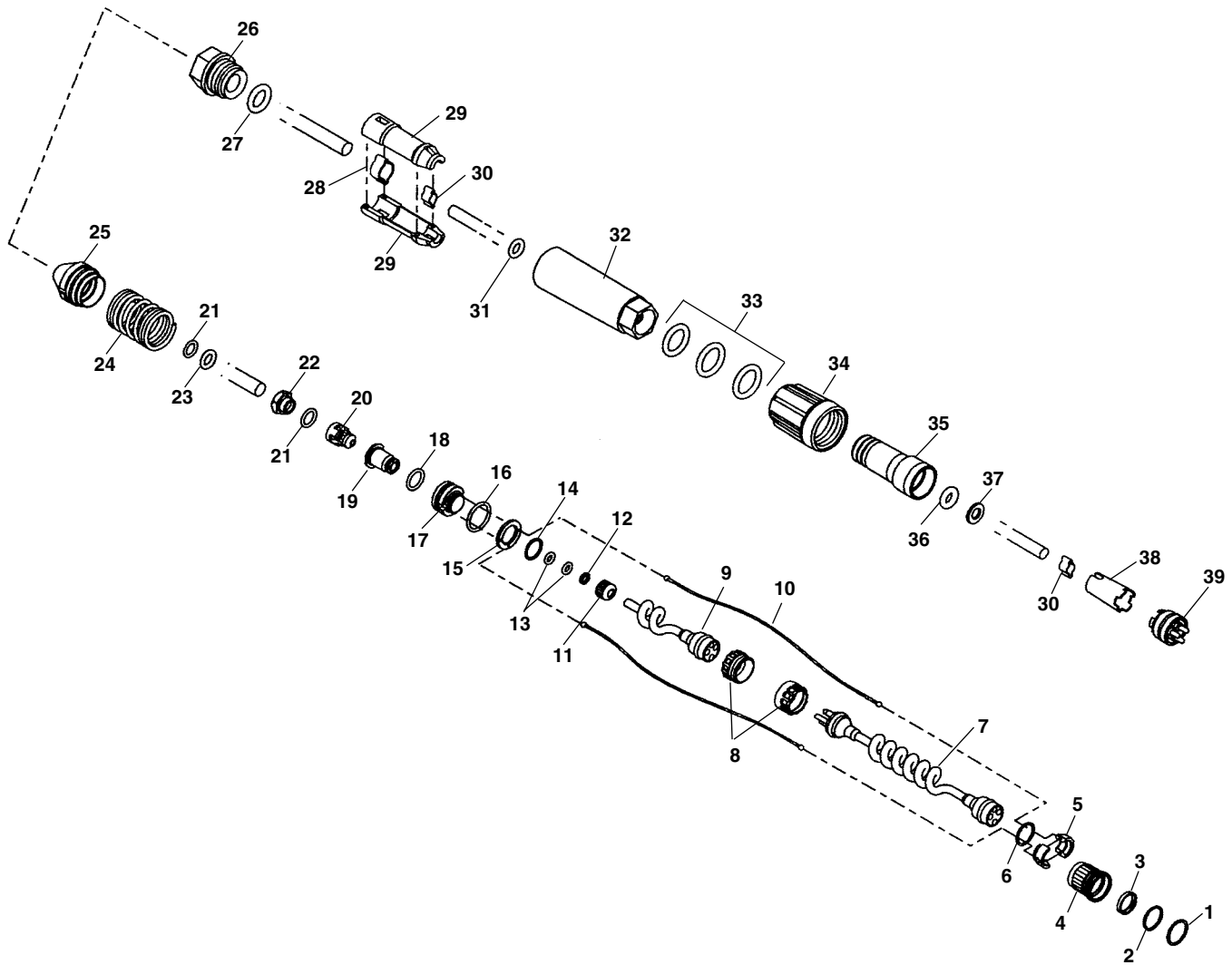
### Regular Push Cable



**NOTE: Order parts by Catalog Number only.  
DO NOT order by Reference Number.**

Ref. No.	Catalog No.	Description	Ref. No.	Catalog No.	Description
1	71482	O-Ring (2)	19	71657	Push Rod End Nut
2	71467	Locking Sleeve	20	71677	O-Ring
3	71477	Safe Ring	21	71667	Clamp
4	71247	Safety Cable (2)	22	71652	Inner Clam Shell (2)
5	71472	Back Up Ring	23	71607	Clamp (2)
6	71297	Camera Whip	24	71672	O-Ring
7	71287	Compression Nut	25	71662	Main Shell
8	71272	Back Up Ring	26	71582	O-Ring (3)
9	71277	O-Ring	27	71602	Locking Sleeve
10	71292	Spring Sleeve Cap	28	71592	In Line Shell
11	71487	O-Ring	29	71577	O-Ring
12	71502	Wire Sleeve	30	71587	Washer
13	71507	Push Bond	31	71597	Internal Back Shell
14	71512	O-Ring (2)	32	71612	Male Insert Assembly
15	71282	Push Nut	33	62032	Wet End Retermination Kit
16	71517	O-Ring (2)	34	66802	Dry End Reterm Kit Incl.
17	69987	Spring Assembly			
18	71302	Rear Spring Shell			

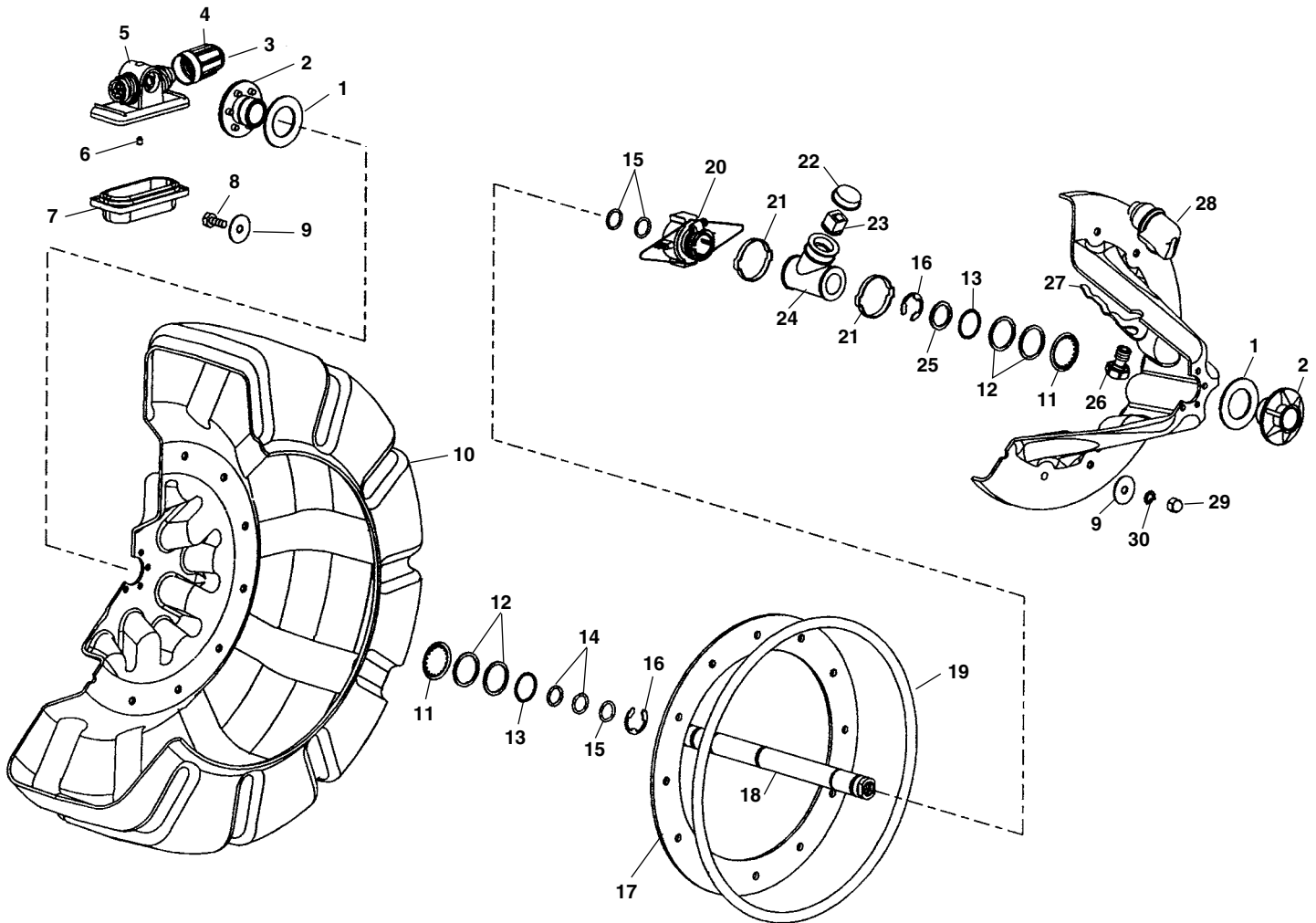
**Mini Push Cable**



**NOTE: Order parts by Catalog Number only.  
DO NOT order by Reference Number.**

Ref. No.	Catalog No.	Description	Ref. No.	Catalog No.	Description
1	71012	Retaining Ring	23	71227	O-Ring
2	71007	Locking Sleeve Front Washer	24	70037	Spring Assembly - Mini
3	71017	Locking Sleeve Rear Washer	14973		Spring Assembly - Mini Color
4	71022	Conn. Locking Sleeve	25	71047	Rear Spring Shell
5	71027	Conn. Split Insert	26	71657	Push Rod End Nut
6	71002	Retaining Ring	27	71677	O-Ring
7	70982	Mini Coil Cord Assembly	28	71667	Clamp
8	84502	Locking Sleeves (Set of 4)	29	71652	Inner Clam Shell (2)
9	70987	Short Coil Cord Assembly	30	71607	Clamp (2)
10	70992	Safety Cable - Mini (2)	31	71672	O-Ring
11	71067	Compression Nut - Mini	32	71662	Main Shell
12	71032	Teflon Back Up	33	71582	O-Ring (3)
13	71037	O-Ring (2)	34	71602	Locking Sleeve
14	71237	Retaining Ring	35	71592	In Line Shell
15	71062	Cable Retainer - Mini	36	71577	O-Ring
16	71242	O-Ring	37	71587	O-Ring
17	71057	Spring Cap	38	71597	Internal Back Shell
18	71232	O-Ring	39	71612	Male Insert Assembly
19	71052	Wire Sleeve - Mini	40	71212	Mini Retermination Kit
20	71217	Mini Push Bond			Includes Ref. No. 13, 15, 17, 19, 20, 22
21	71222	O-Ring (2)		15808	Mini Red Cable Retermination Kit
22	70997	Mini Push Nut	41	66802	Dry End Retermination Kit

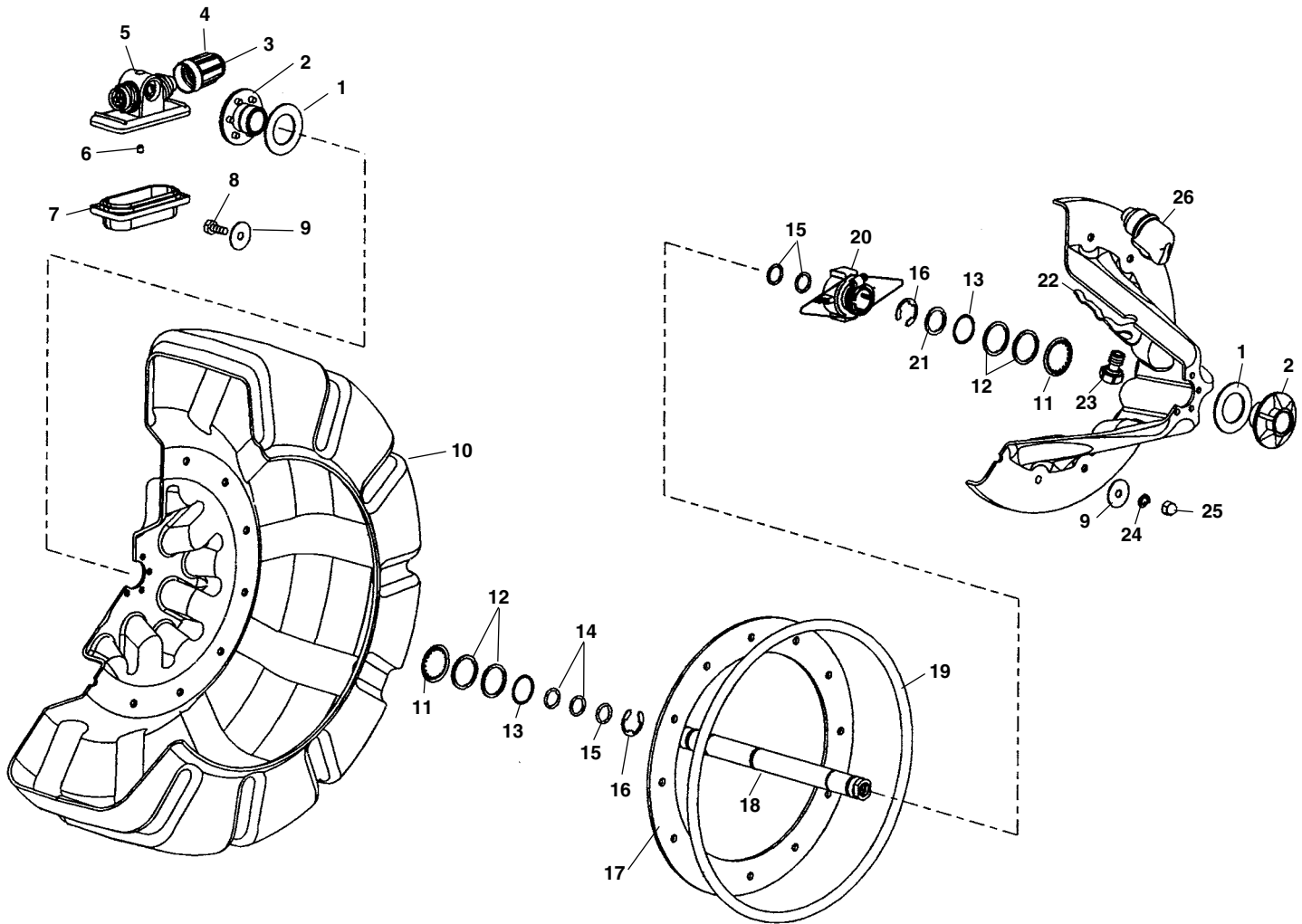
## Regular Reel Assembly



**NOTE: Order parts by Catalog Number only.  
DO NOT order by Reference Number.**

Ref. No.	Catalog No.	Description	Ref. No.	Catalog No.	Description
1	71557	Axle Gasket (2)	16	71102	Retaining Ring (2)
2	71552	Axle Bushing (2)	17	71542	Gasket Reg. System
3	71202	Dust Cover for Locking Sleeve	18	71567	Reel Axle
4	71172	Locking Sleeve	19	71547	Cone O-Ring
5	71167	Hub Assembly	20	71537	Slip Ring Assembly
6	71162	Screw	21	71492	Clamp 2-Ear (2)
7	71157	Hub Bottom	22	71532	Acrylic Widow
8	71572	Screw (12)	23	71527	IR Receiver
9	71192	Washer (24)	24	71522	IR Receiver Housing
10	71987	Reel Assembly	25	68267	Nylon Washer
11	71087	Retaining Ring (2)	26	71107	Bolt RA Welded Bulkhead
12	71092	Nylon Washer (4)	27	71117	Wire Clip
13	71097	Retaining Ring (2)	28	71112	Bulkhead Assembly
14	71132	O-Ring (2)	29	71182	Nut (2)
15	71127	O-Ring (3)	30	71187	Lock Washer (12)

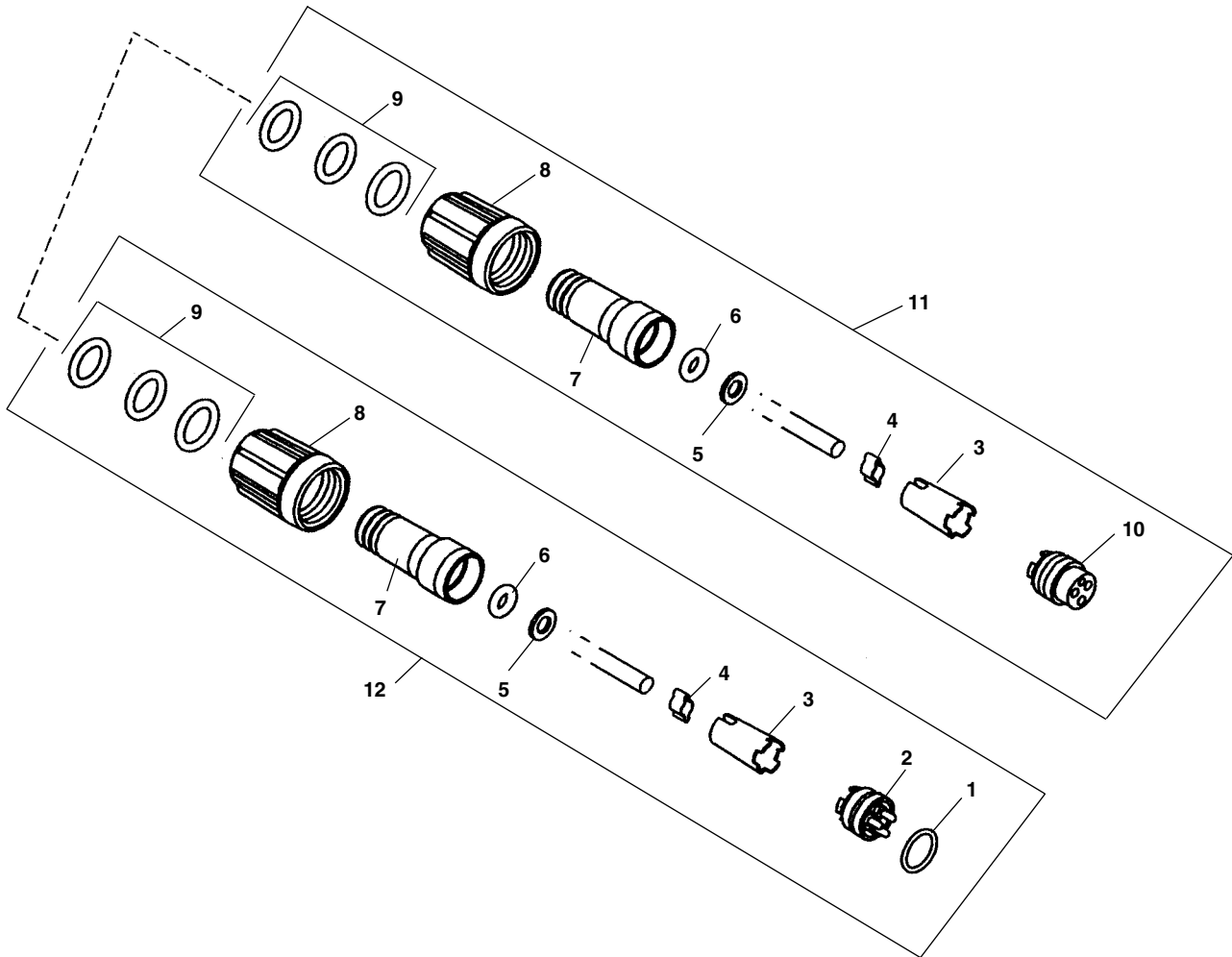
### Mini Reel Assembly



**NOTE: Order parts by Catalog Number only.  
DO NOT order by Reference Number.**

Ref. No.	Catalog No.	Description	Ref. No.	Catalog No.	Description
1	71557	Axle Gasket (2)	14	71132	O-Ring (2)
2	71552	Axle Bushing (2)	15	71127	O-Ring (3)
3	71202	Dust Cover for Locking Sleeve	16	71102	Retaining Ring (2)
4	71172	Locking Sleeve	17	71142	Gasket
5	71167	Hub Assembly	18	71082	Reel Axle
6	71162	Set Screw	19	71147	Cone O-Ring
7	71157	Hub Bottom Mini	20	71137	Slip Ring
8	71152	Screw (12)	21	71092	Nylon Washer
9	71192	Washer (24)	22	71117	Wire Clip
10	71177	Reel Assembly	23	71107	Bolt RA Welded Bulkhead
11	71087	Retaining Ring (2)	24	71187	Washer (12)
12	71092	Nylon Washer (4)	25	71182	Nut (12)
13	71097	Retaining Ring (2)	26	71112	Bulkhead Assembly

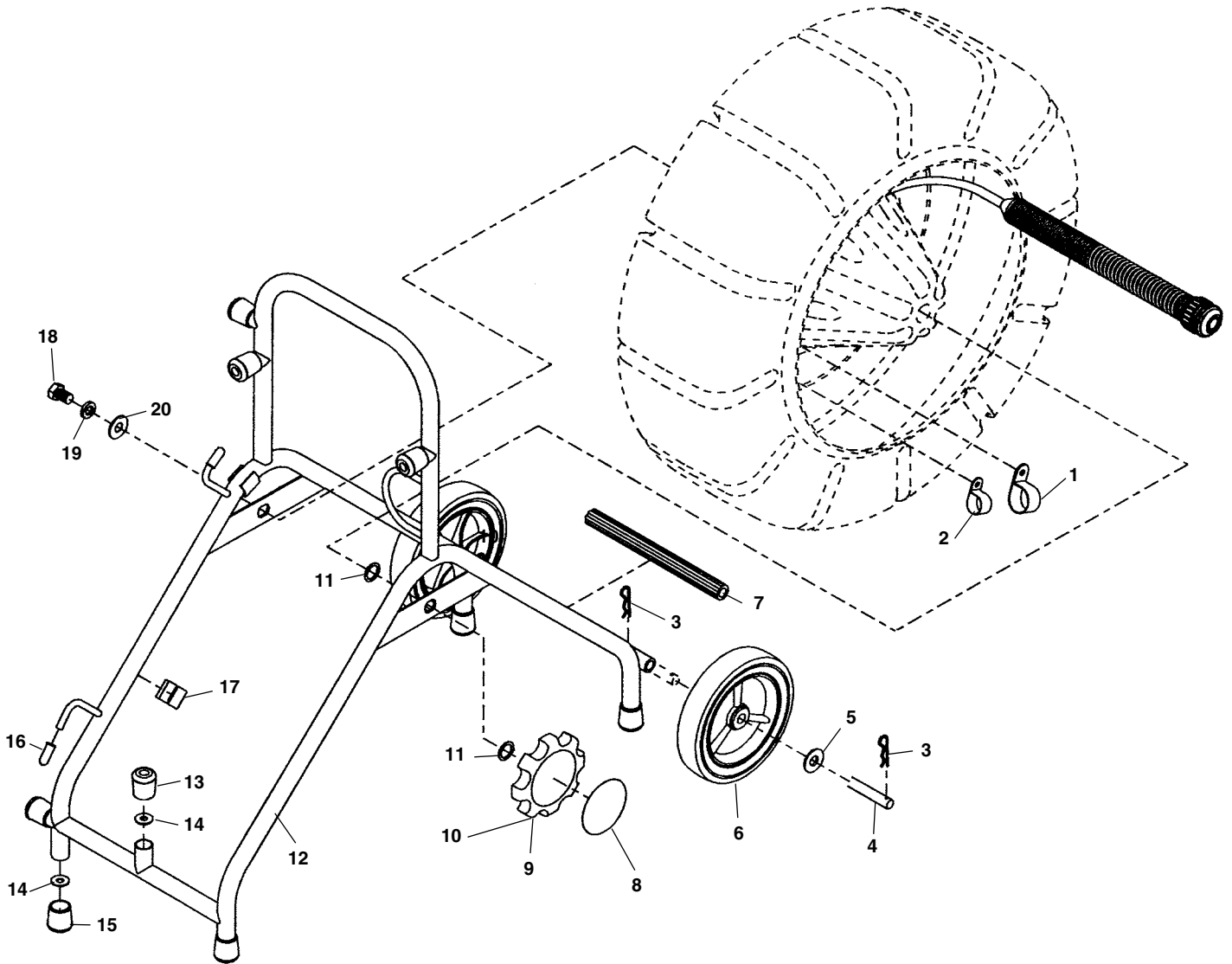
**Interconnect Cord**



**NOTE: Order parts by Catalog Number only.  
DO NOT order by Reference Number.**

Ref. No.	Catalog No.	Description	Ref. No.	Catalog No.	Description
—	64627	Interconnect Cord 33'	6	71577	O-Ring (2)
—	67307	Interconnect Cord 10'	7	71592	In line Shell (2)
—	70907	Old Style Interconnect Cord 33'	8	71602	Locking Sleeve (2)
1	71487	O-Ring	9	71582	O-Rings (6)
2	71612	Male Insert	10	71617	Female Insert
3	71597	Internal Back Shell (2)	11	72817	Female Connector Assembly
4	71607	Clamp (2)	12	72822	Male Connector Assembly
5	71587	Washer (2)			

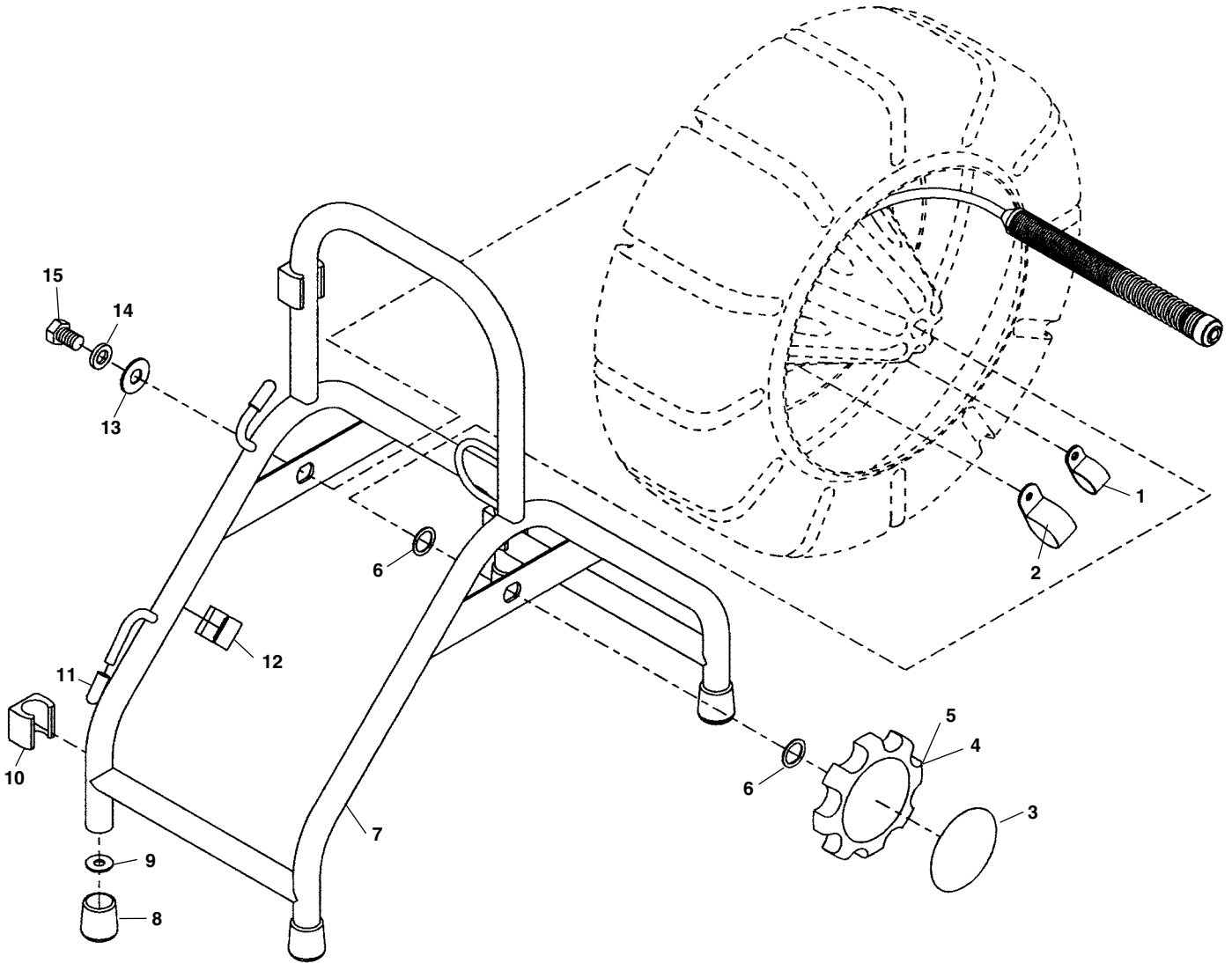
Regular Frame Assembly



**NOTE: Order parts by Catalog Number only.  
DO NOT order by Reference Number.**

Ref. No.	Catalog No.	Description	Ref. No.	Catalog No.	Description
1	71262	1/2" Dry Clamp	11	68267	Nylon Washer (2)
2	71267	7/8" Dry Clamp	12	66797	Frame
3	68257	Axle Pin	13	72542	Rubber Cap (3)
4	68247	Axle	14	72537	Back Up Washer (7)
5	68267	Nylon Washer	15	70042	Rubber Foot (7)
6	68242	Wheel for SeeSnake (2)	16	72562	End Cap (2)
7	68252	Axle Spacer	17	72532	Wire Clip (2)
8	71207	Decal for Tension Knob	18	72547	Rear Mount Bolt
9	68262	Tension Knob	19	72522	Lock Washer
10	72517	Bolt for Tension Knob	20	72527	Flat Washer

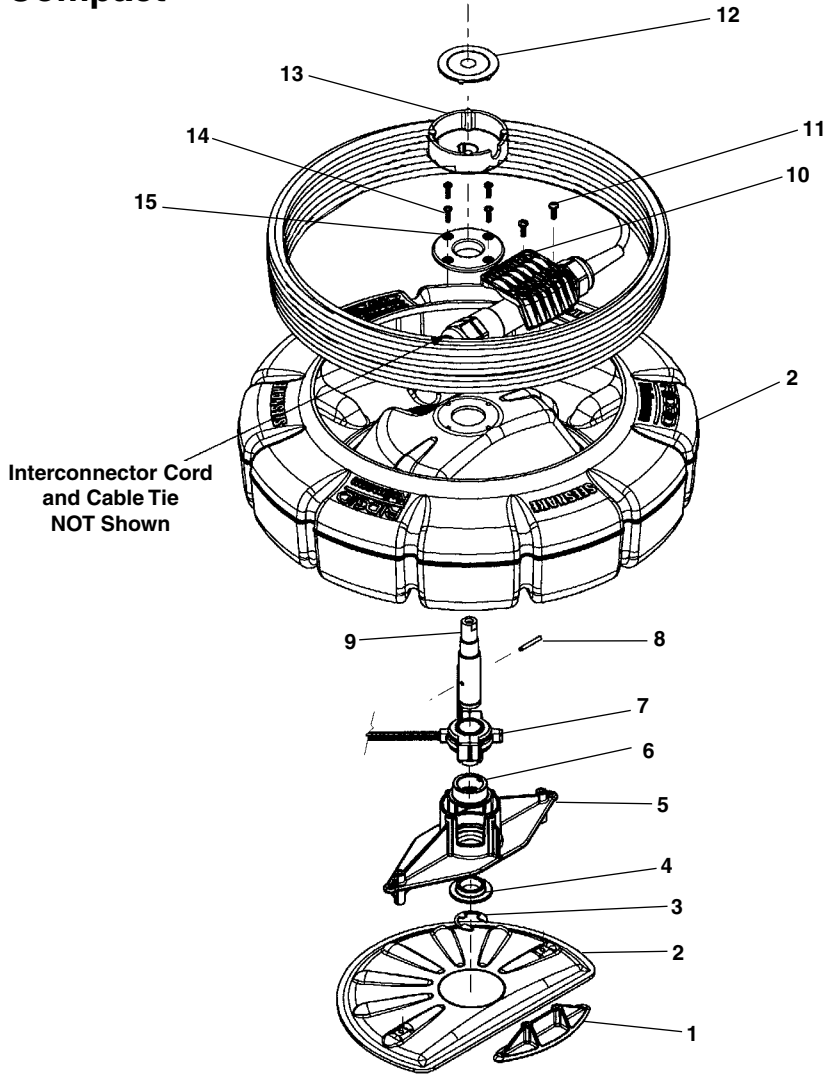
### Mini Frame Assembly



**NOTE: Order parts by Catalog Number only.  
DO NOT order by Reference Number.**

Ref. No.	Catalog No.	Description	Ref. No.	Catalog No.	Description
1	71262	1/2" Dry Clamp	9	72537	Back Up Washer (4)
2	71267	7/8" Dry Clamp	10	72557	Frame Bumper (3)
3	71207	Decal for Tension Knob	11	72562	Rubber End Cap (2)
4	68262	Tension Knob	12	72532	Wire Clip
5	72517	Bolt for Tension Knob	13	72527	Flat Washer
6	68267	Nylon Washer (2)	14	72522	Lock Washer
7	71647	Frame - Mini	15	72547	Rear Mount Bolt
8	70042	Rubber Foot (4)			

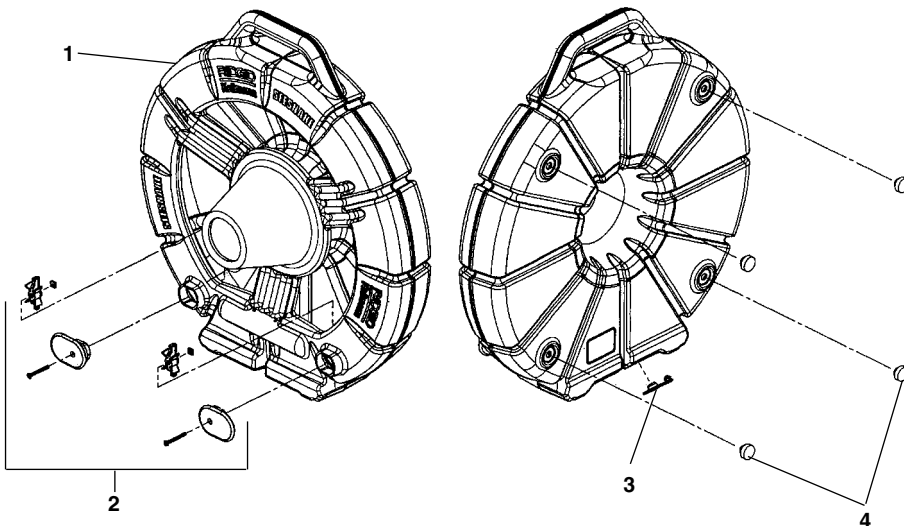
**Compact**



**NOTE: Order parts by Catalog Number only.  
DO NOT order by Reference Number.**

Ref. No.	Catalog No.	Description
1	97162	Tube Mount Base
2	97107	Compact Drum
3	97147	Retaining Ring
4	97127	Bottom Axle Radial Bushing
5	97117	Bottom Hub
6	97122	Bottom Axle Thrust Bush
7	97142	Slip Ring Assembly
8	97152	1/8" x 1" Dowel Pin
9	97112	Frame Axle
10	97157	Tube Mount
11	97172	#8 x 1/2" Screw (2)
12	97167	Axle Support
13	97137	Top Axle Bushing
14	97177	#6 x 1/2" Screw
15	97132	Top Hub

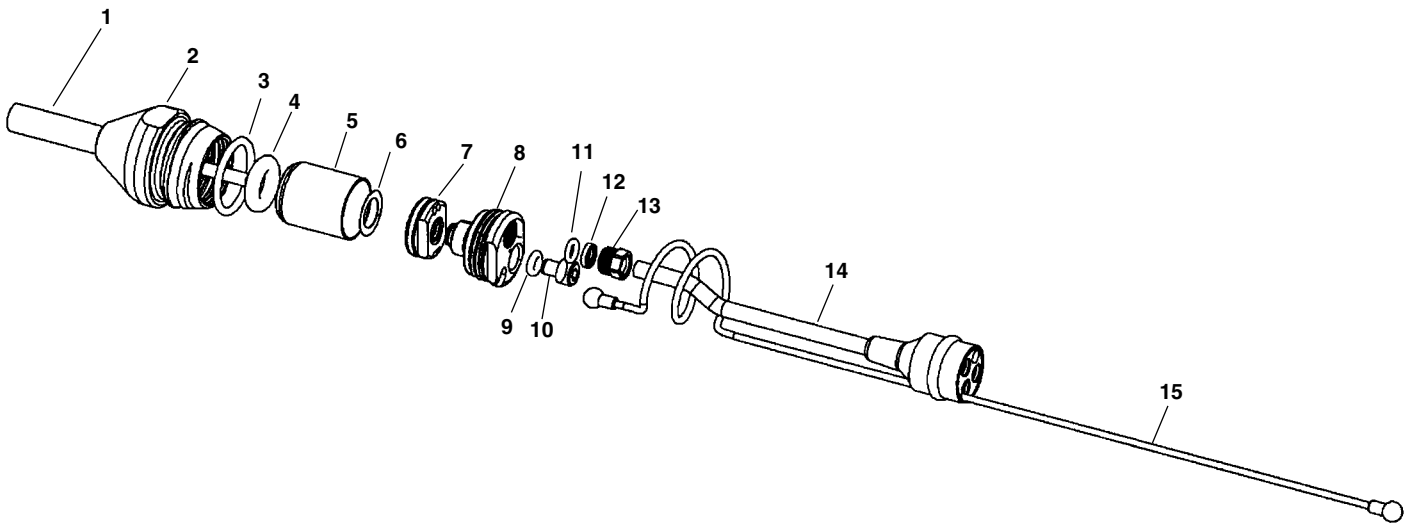
**FlatPack**



Ref. No.	Catalog No.	Description
1	97182	FlatPack Drum
2	97627	Cord Wrap Asm (COLOR)
3	97197	Cord Wrap Asm (B&W)
3	97207	Drain Plug
4	14008	Rubber Feet (4)
<b>Not Shown</b>		
	97202	Label Set (B&W)
	97632	Label Set (COLOR)



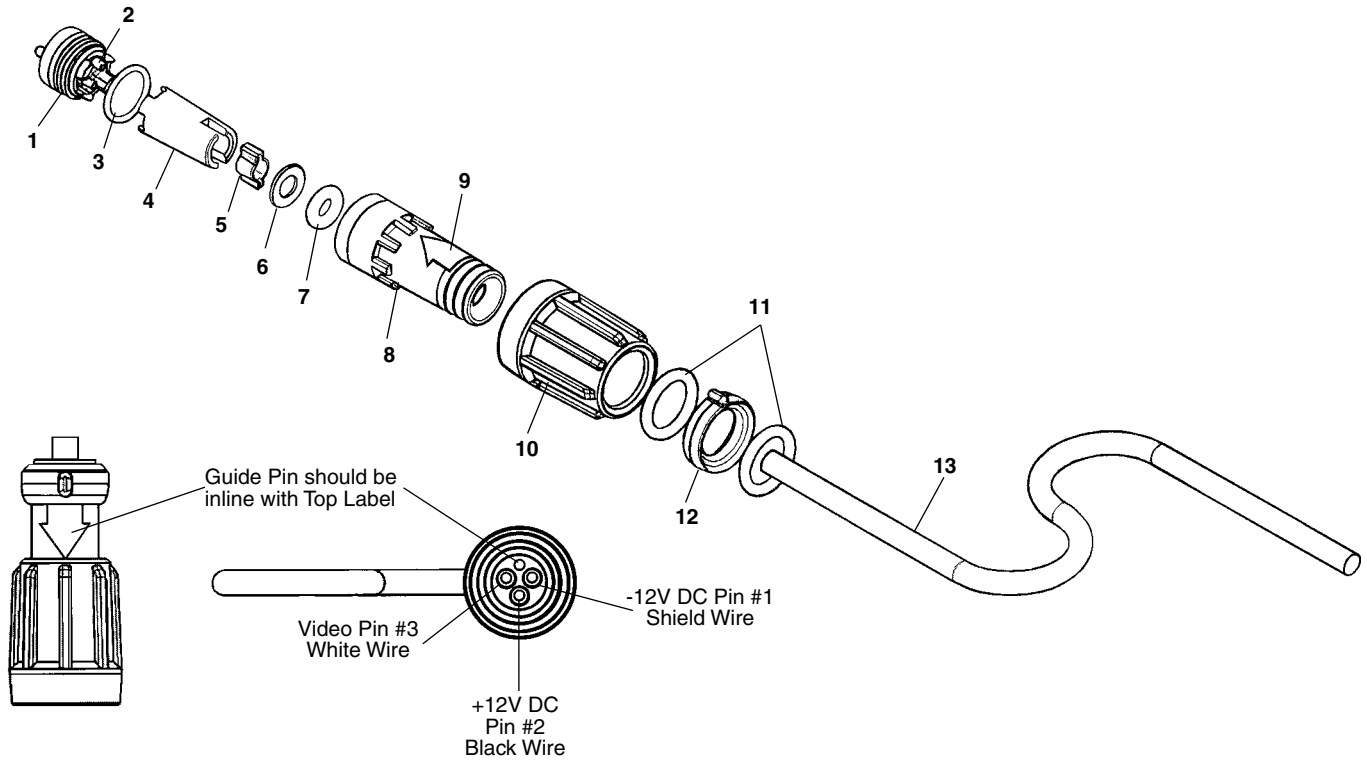
**Compact/FlatPack SeeSnake Wet End Termination: Exploded View**



**NOTE: Order parts by Catalog Number only.  
DO NOT order by Reference Number.**

<b>Ref. No.</b>	<b>Catalog No.</b>	<b>Description</b>
1	18758	Raw Push Cable
2	18763	Spring Shell
3	18768	O-Ring
4	18773	O-Ring
5	18778	O-Ring Cap
6	18793	Spring Washer
7	18783	Push Nut
8	18788	Termination Plug
9	18828	O-Ring
10	18803	Screw
11	18798	O-Ring
12	18808	Back Up Ring
13	18813	Seal Screw
14	18818	Cord Assembly
15	18823	Safety Cable
	18733	Retermination Kit Includes Ref. Nos 3,4,7,8,9,11,12
<b>Items Not Shown</b>		
	20263	Color Compact Spring Assembly
	20268	B&W Compact Spring Assembly
	20273	Locking Sleeve
	20278	Retaining Ring
	20283	Connector w/Ball Hole
	20288	Connector Minus Ball Hole

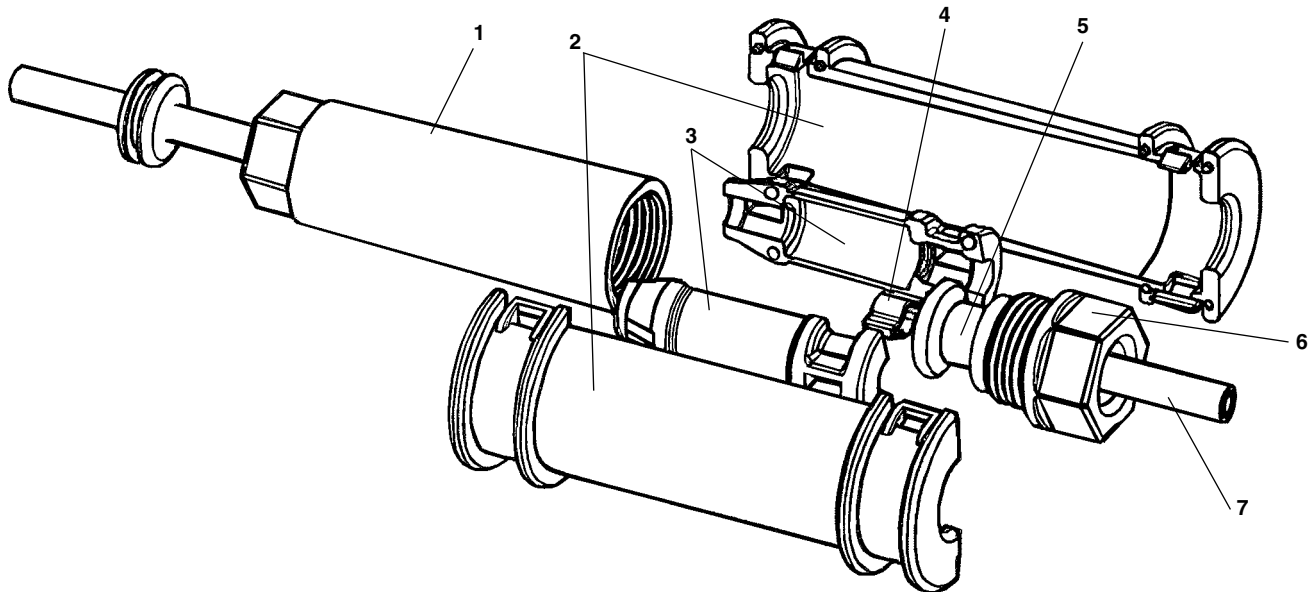
### FlatPack SeeSnake Dry End Termination/Interconnect Cord: Male End



**NOTE: Order parts by Catalog Number only.  
DO NOT order by Reference Number.**

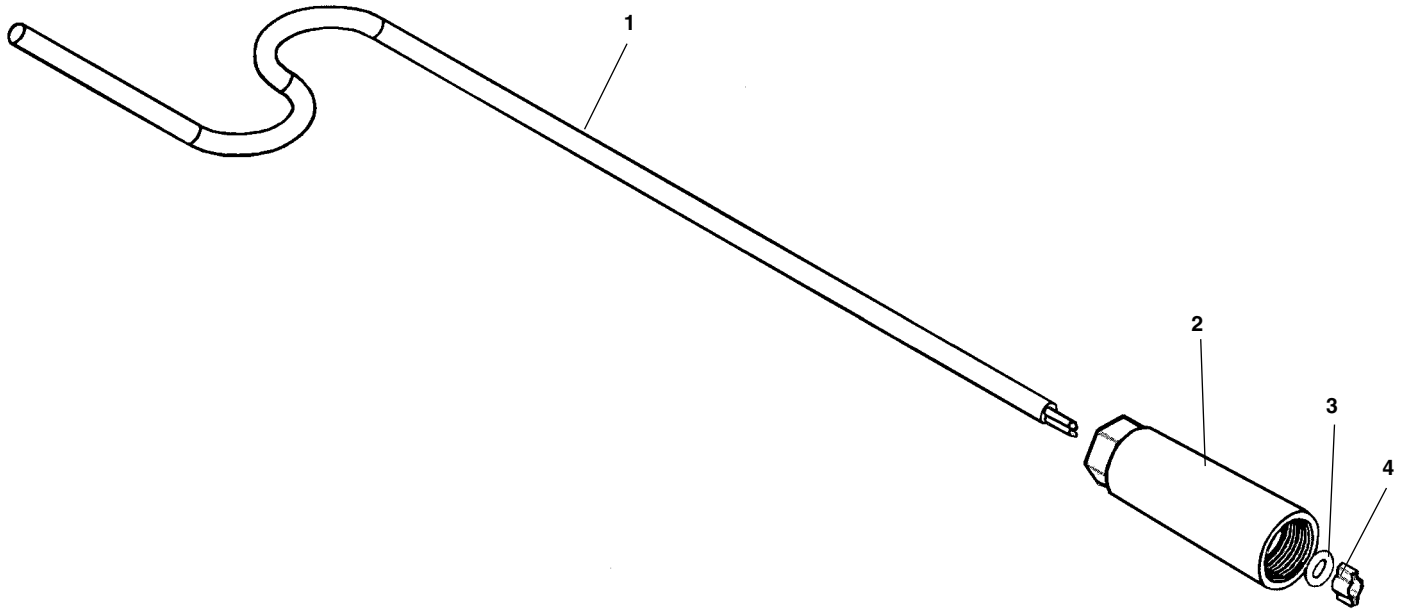
Ref. No.	Catalog No.	Description
1	71612	Male Insert
2	18863	Shrink Tube
3	18868	O-Ring
4	71597	Internal Shell
5	71607	Clamp
6	18873	Washer
7	18773	O-Ring
8	71592	InlIne Shell
9	18878	Top Label
10	71602	Locking Sleeve
11	18883	O-Ring (2)
12	18888	Index Band
13	18893	Raw Cable

**Compact/FlatPack SeeSnake Dry End Termination: Exploded View**



**NOTE: Order parts by Catalog Number only.  
DO NOT order by Reference Number.**

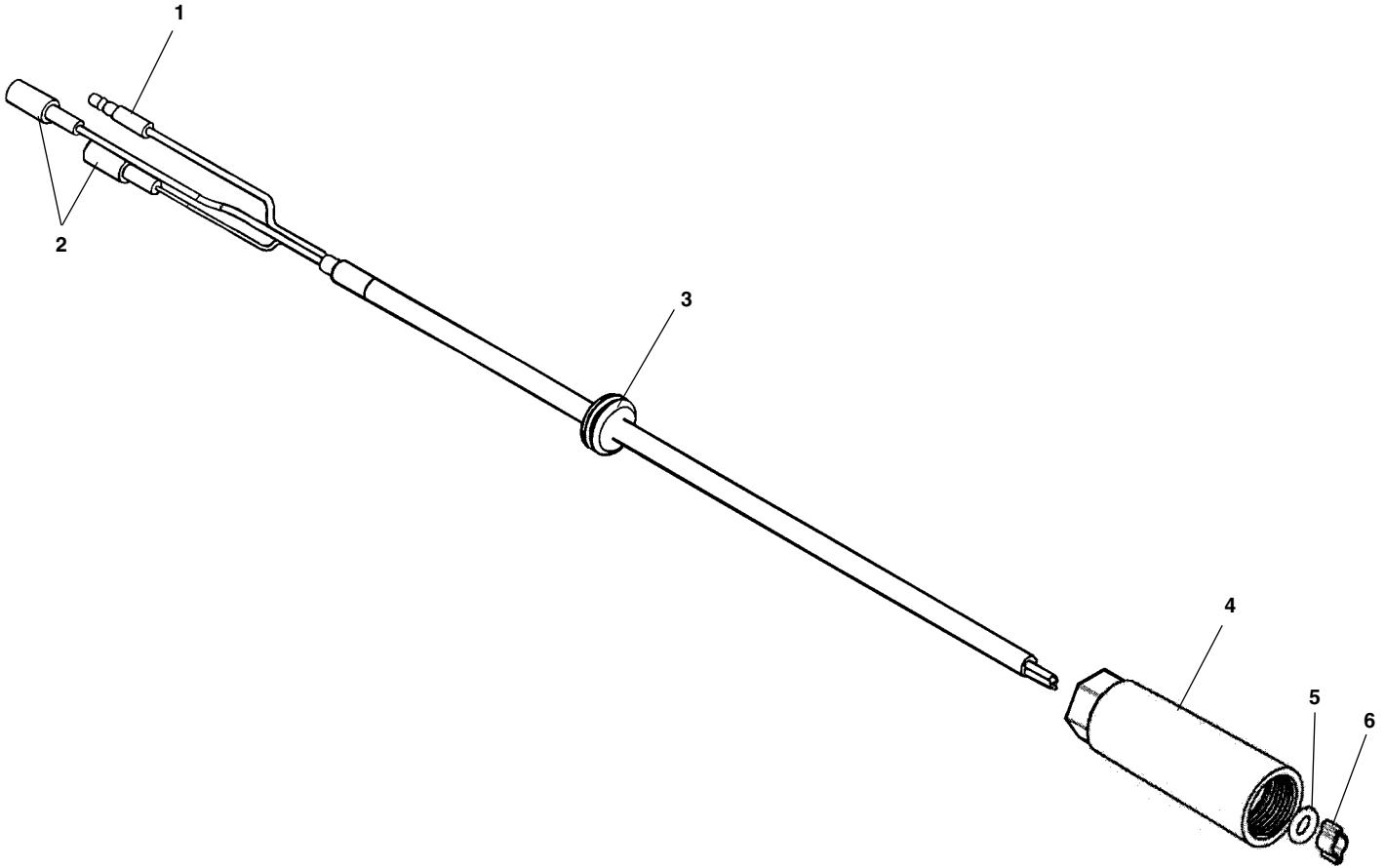
<b>Ref. No.</b>	<b>Catalog No.</b>	<b>Description</b>
1	18833	Compact Whip Assembly
	18838	FlatPack Cord Assembly
2	18843	Adapter
3	18848	Compact Inner Clam Shell
4	71607	Clamp
5	18853	Seal
6	18858	End Nut
7	18758	Raw Push Cable

**FlatPack SeeSnake Dry End Termination/Interconnect Cord: Termination End**

**NOTE: Order parts by Catalog Number only.  
DO NOT order by Reference Number.**

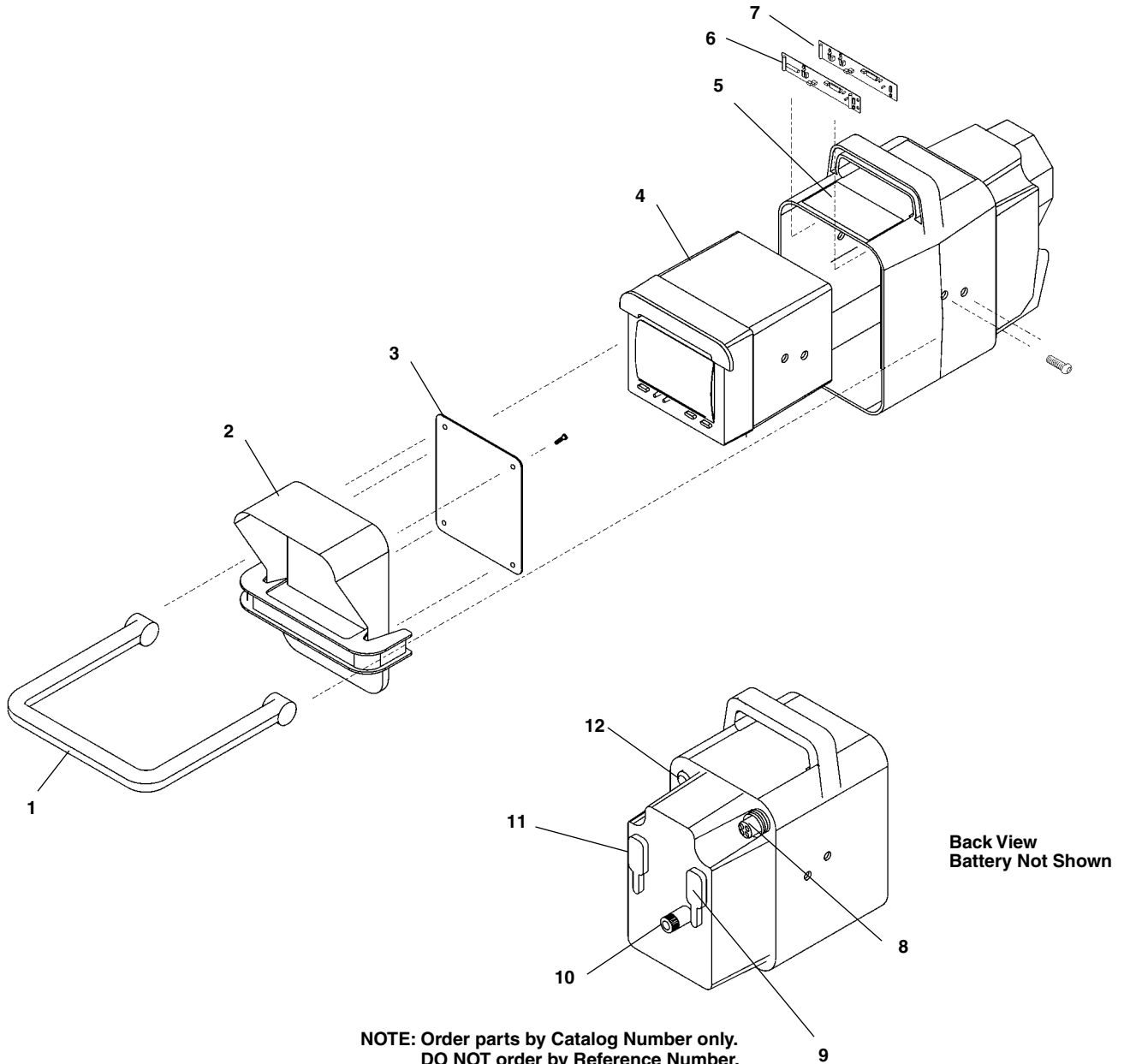
<b>Ref. No.</b>	<b>Catalog No.</b>	<b>Description</b>
1	18893	10 ft. Raw Cable
2	18898	Main Shell
3	18903	O-Ring
4	71607	Clamp

## Compact SeeSnake Whip Assembly



**NOTE: Order parts by Catalog Number only.  
DO NOT order by Reference Number.**

Ref. No.	Catalog No.	Description
1	18908	Male Bullet Connector
2	18913	Female Bullet Connector
3	18918	Grommet
4	18898	Main Shell
5	18903	O-Ring
6	71607	Clamp

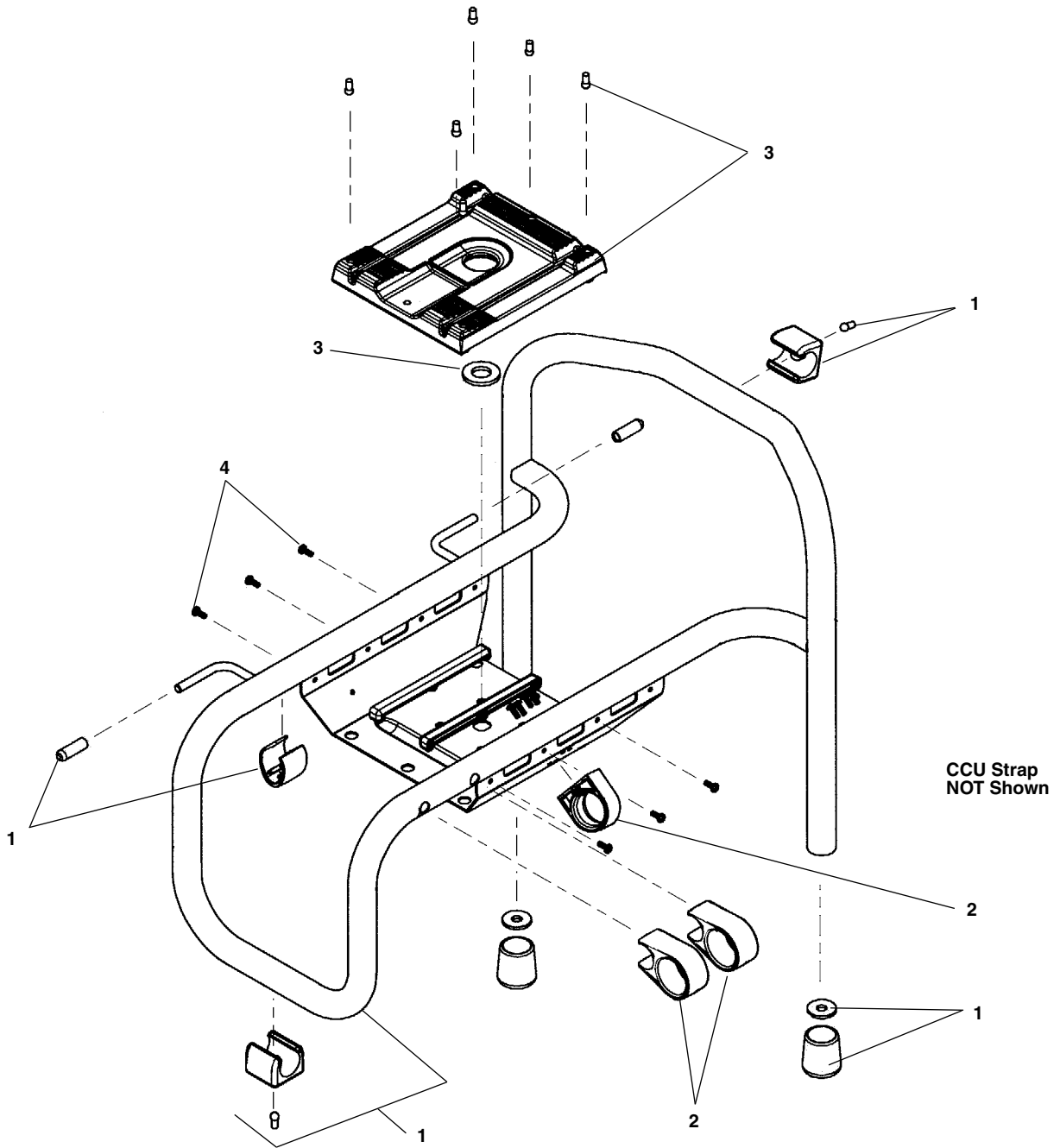


**NOTE: Order parts by Catalog Number only.  
DO NOT order by Reference Number.**

Ref. No.	Catalog No.	Description
1	97667	Kickstand w/Handle Asm.
2	97657	Monitor Lid (B&W)
	97662	Monitor Lid (COLOR)
3	97672	Monitor Window Kit
4	97637	Monitor (B&W) EIA
	97642	Monitor (B&W) CCIR
	97647	Monitor (COLOR) NTSC
	97652	Monitor (COLOR) PAL
5	97677	Monitor Case (B&W)
	97682	Monitor Case (COLOR)
6	97707	Compact Power Board Asm
7	97712	Connector Board (Small Board)
8	77307	Bulkhead Connector
9	97697	Dust Cover (Black)
10	97717	Ground Post
11	97692	Dust Cover (Orange)
12	97702	Power Switch Asm
<b>Items Not Shown</b>		
	97722	Ground Post Cable
	83407	14.4V Battery
	95722	AC Adapter (115V)
	95727	AC Adapter (230V)

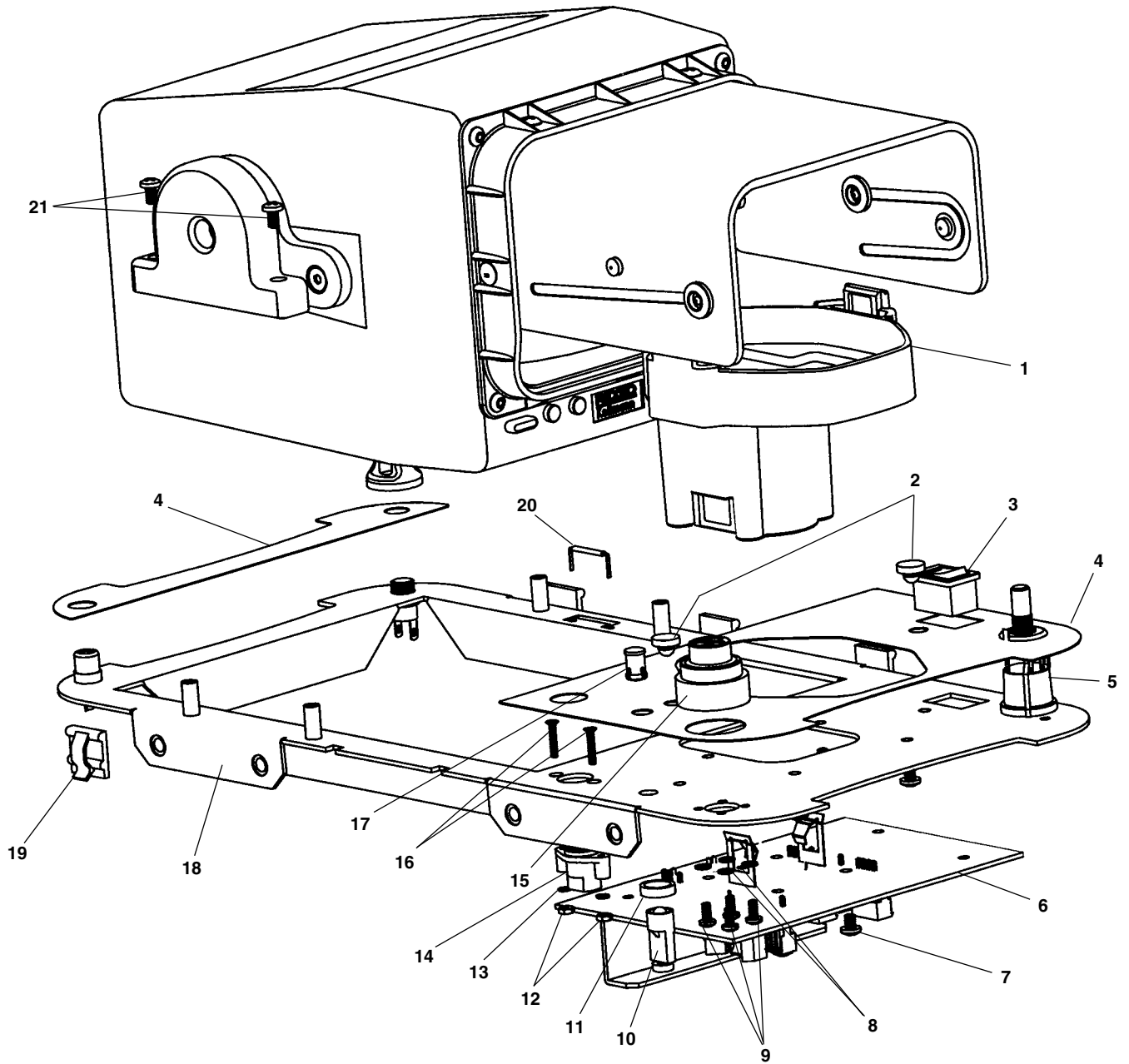
NOTE: All Monitors Include Labels

**Frame**



**NOTE: Order parts by Catalog Number only.  
DO NOT order by Reference Number.**

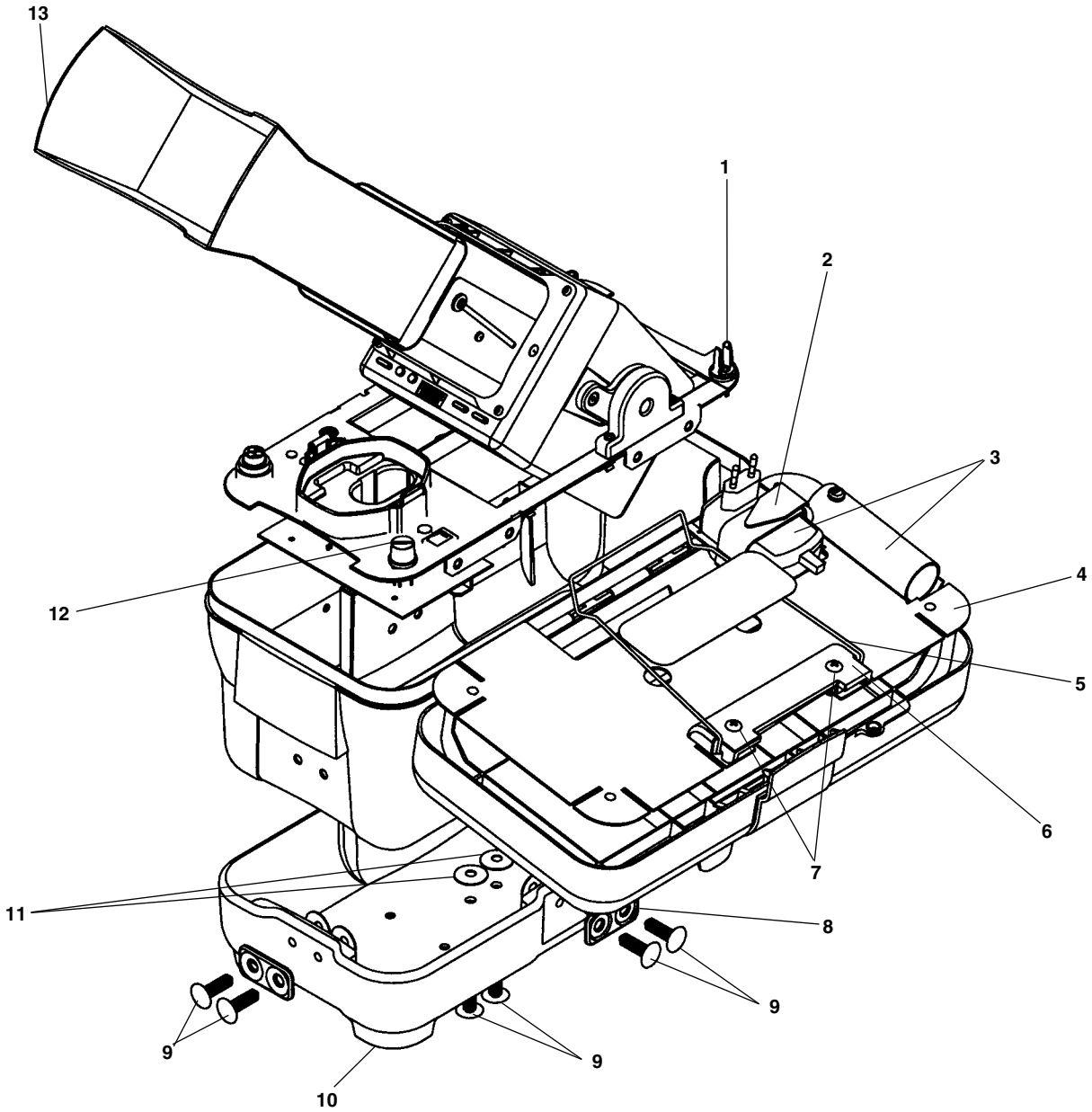
Ref. No.	Catalog No.	Description
1	97062	Frame Assembly w/Feet
2	97072	Cable Guide Set
3	97067	Monitor Pad Assembly
4	97082	Monitor Strap Hardware Assy.
<b>Item Not Shown</b>		
	97077	Monitor Strap



**NOTE: Order parts by Catalog Number only.  
DO NOT order by Reference Number.**

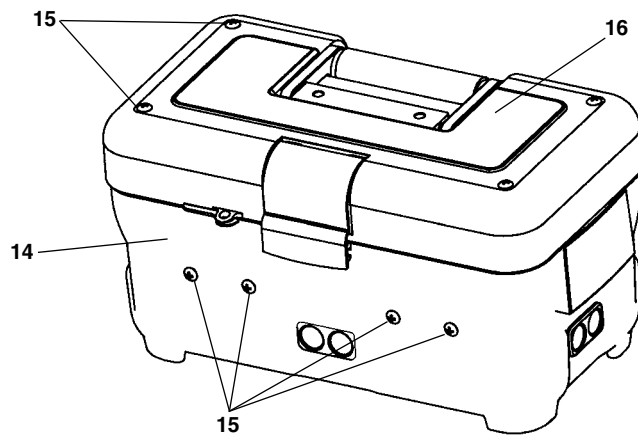
Ref. No.	Catalog No.	Description	Ref. No.	Catalog No.	Description
1	83387	Battery Socket Assembly	12	88087	Nut (2)
2	88057	Rubber Button (2)	13	88082	Split Lock Washer (2)
3	86057	Switch Assembly	14	88172	Auxilliary Connector
4	88022	Base Panel Label Set	15	77307	Interconnect Bulkhead
5	87157	Dimmer Control Switch	16	88077	2-56 x 1/2" Screw (2)
6	88072	Circuit Board Assembly	17	88042	Lens Cap
7	88092	6-32 x 3/16" Phillips Screw (8)	18	88027	Base Panel
8	88047	Split Lock Washer (4)	19	87247	Adhesive Wire Clip (6)
9	88052	#4 - 40 x 1/4" Screw (4)	20	88992	Reed Switch Assembly
10	88032	Low Battery LED Assembly	21	92002	6-32 x 1/4" Phillips Screw (4)
11	88037	Ring Spacer			

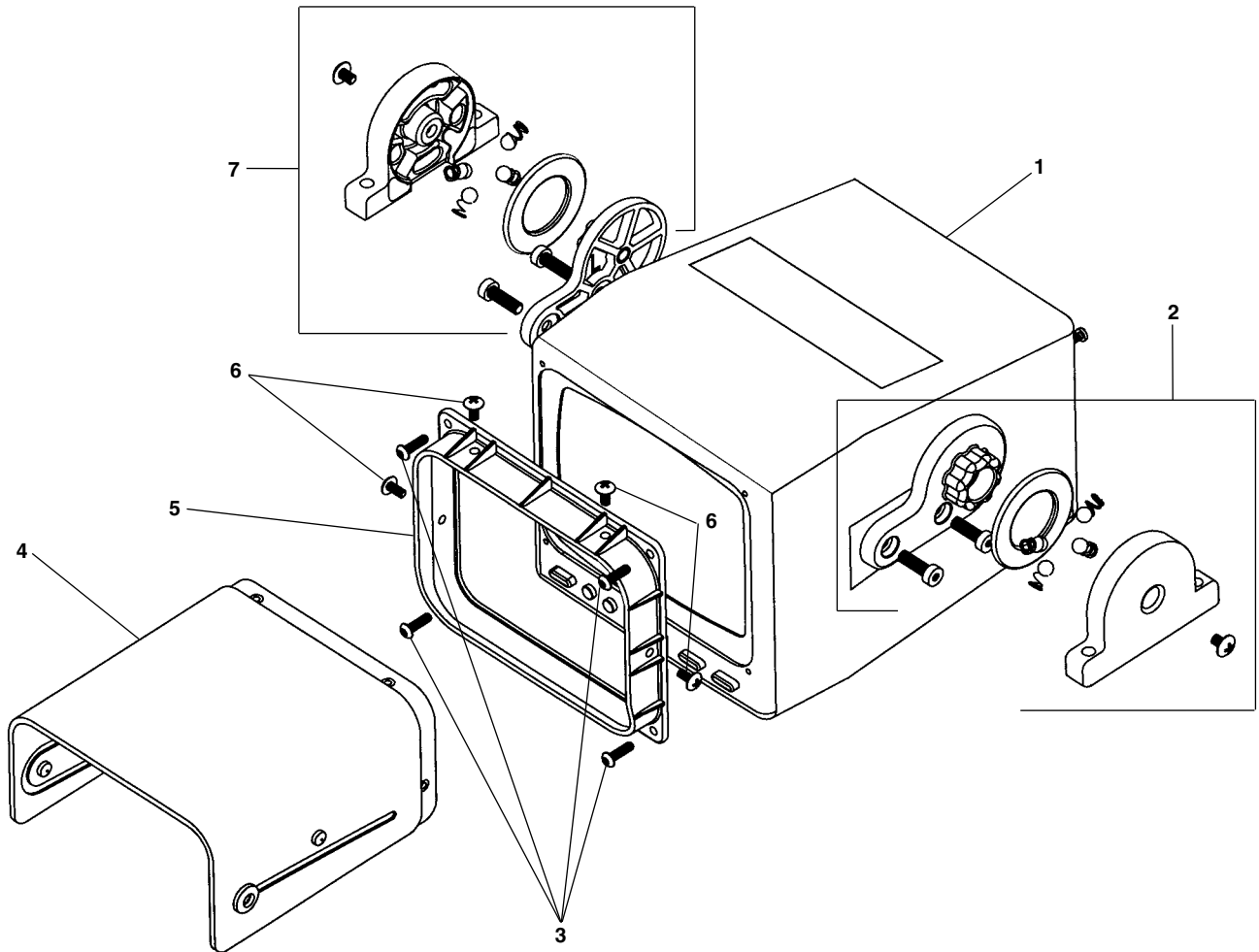




**NOTE: Order parts by Catalog Number only.  
DO NOT order by Reference Number.**

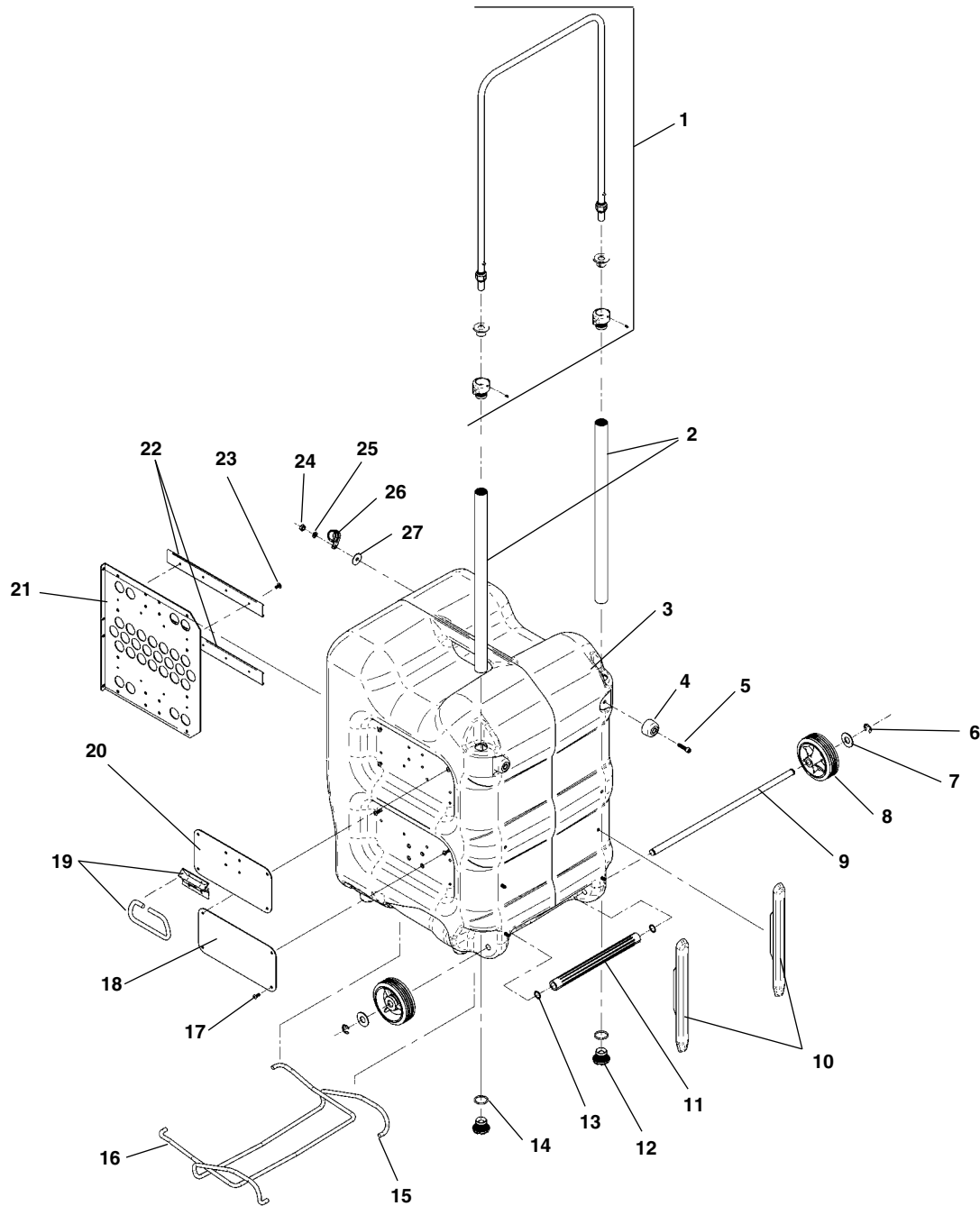
Ref. No.	Catalog No.	Description
1	88062	Cord Lock
2	88152	Velcro Hook/Loop
3	76882	Power Supply 115V (Includes Cord Tube)
	76887	Power Supply 230V (Includes Cord Tube)
4	88007	Lid Plate
5	88147	Sun Boot Retainer
6	88142	Sun Boot Retainer Cover
7	88162	10-32 x 1" Machine Screw (2)
8	87992	Rivet Plate (5)
9	87987	Rivet (10)
10	88002	Toolbox Case
11	87997	Concave Washer (10)
12	87152	Knob w/Set Screw
13	77302	Sunboot
14	88012	Toolbox Only
15	87982	10-32 x 1/4" Mach Screw (2)
16	88017	Toolbox Label





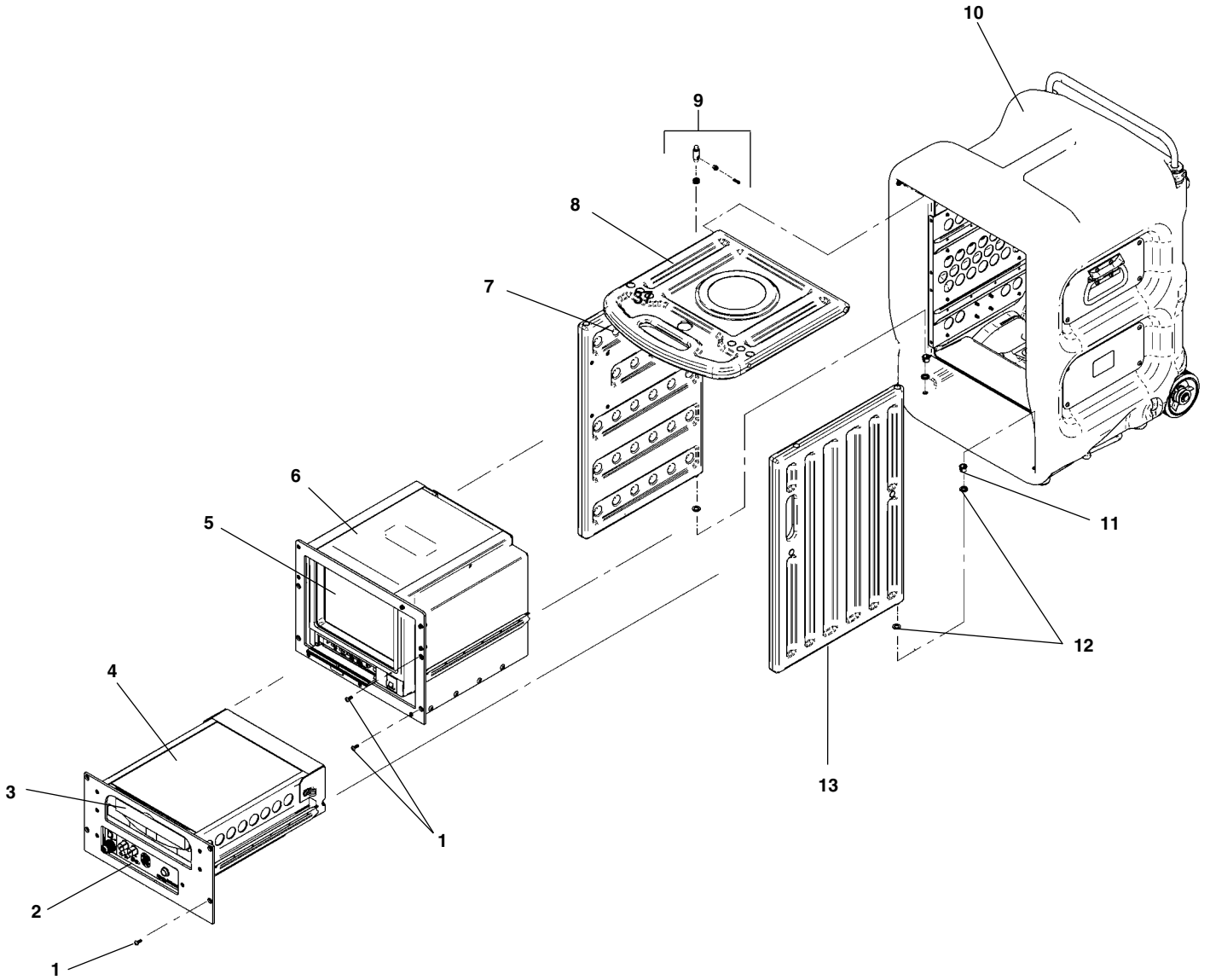
**NOTE: Order parts by Catalog Number only.  
DO NOT order by Reference Number.**

Ref. No.	Catalog No.	Description
1	76927	Monitor Only 115V
	76932	Monitor Only 230V
2	88117	Right Pivot Assembly
3	88107	#6 x 1/2" Hex Screw (4) Tamper Proof
4	76872	Sun Shield
5	88102	Monitor Face Plate
6	88112	6-32 x 5/16" Phillips Screw (4)
7	88122	Left Pivot Assembly
<b>Items Not Shown (Located on Back of Monitor)</b>		
	88097	Cable Tie
	88167	White Spacer
	88132	M3 x 12 mm Phillips Screw
	87242	Cable Tie Clip



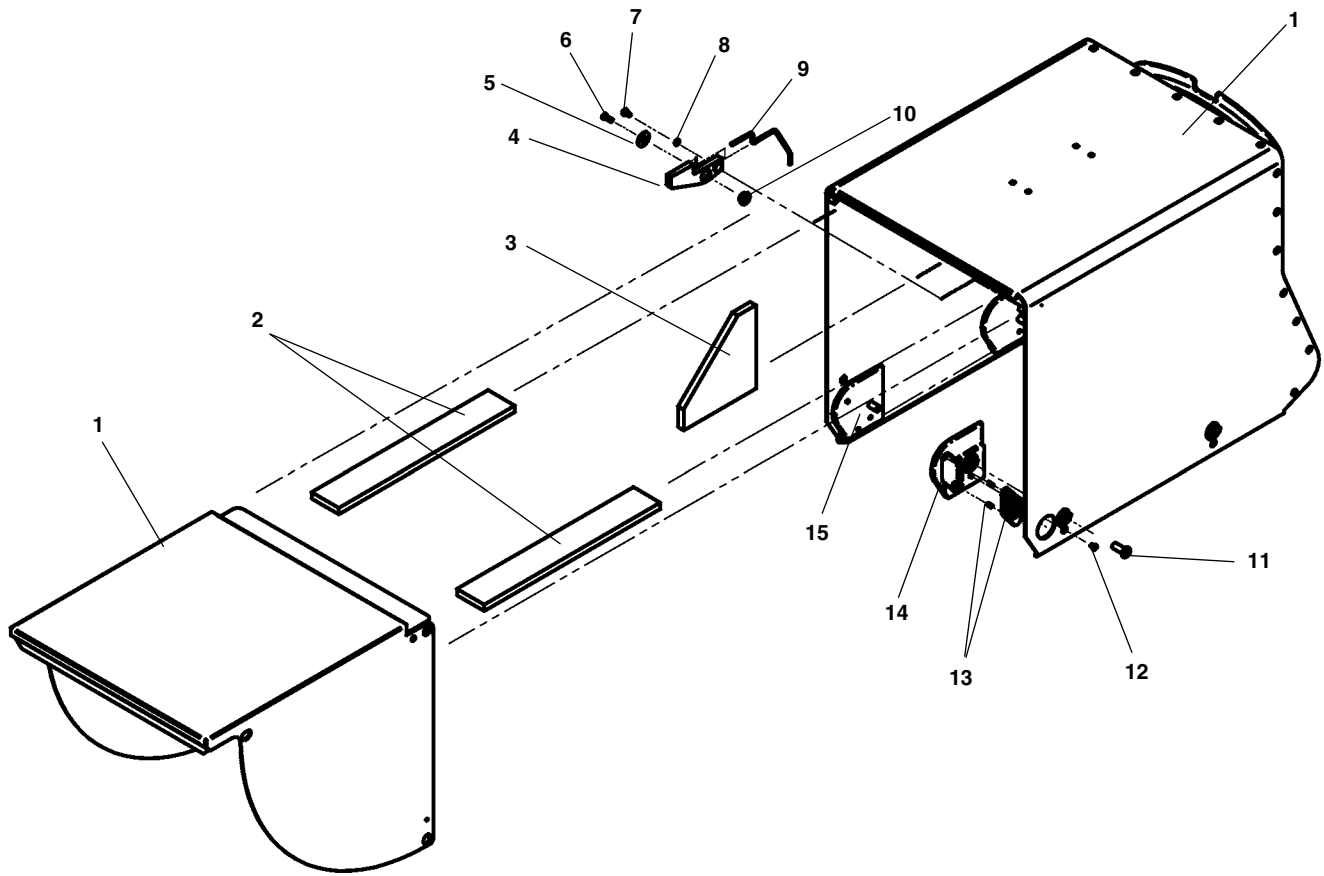
**NOTE: Order parts by Catalog Number only.  
DO NOT order by Reference Number.**

<u>Ref. No.</u>	<u>Catalog No.</u>	<u>Description</u>	<u>Ref. No.</u>	<u>Catalog No.</u>	<u>Description</u>
1	15843	VSM Handle Assembly	16	76937	Front Kickstand
2	15848	VSM Handle Tube Assembly (2)	17	15898	Screw (24)
3	15853	VSM Case Only	18	15903	Bottom Plate
4	14918	Rubber Foot (6)	19	15908	Side Handle
5	16003	Screw (6)	20	15918	Top Plate
6	15858	Snap Ring (2)	21	15923	Inside Slide Track Plate
7	15863	Washer (2)	22	15928	Slide (4)
8	15868	VSM Wheel (2)	23	15933	Screw (12)
9	15873	Axle	24	15938	Lock Nut (6)
10	15883	Skid (2)	25	15943	Washer (6)
11	68252	Axle Spacer	26	15948	Cable Clamp
12	15888	Slide Tube Cap (2)	27	15953	Washer (12)
13	15878	Washer (2)			
14	15893	Slide Tube O-Ring (4)			
15	76942	Rear Kickstand			
			<b>Item Not Shown</b>		
			15958	Male Slide (4)	



**NOTE: Order parts by Catalog Number only.  
DO NOT order by Reference Number.**

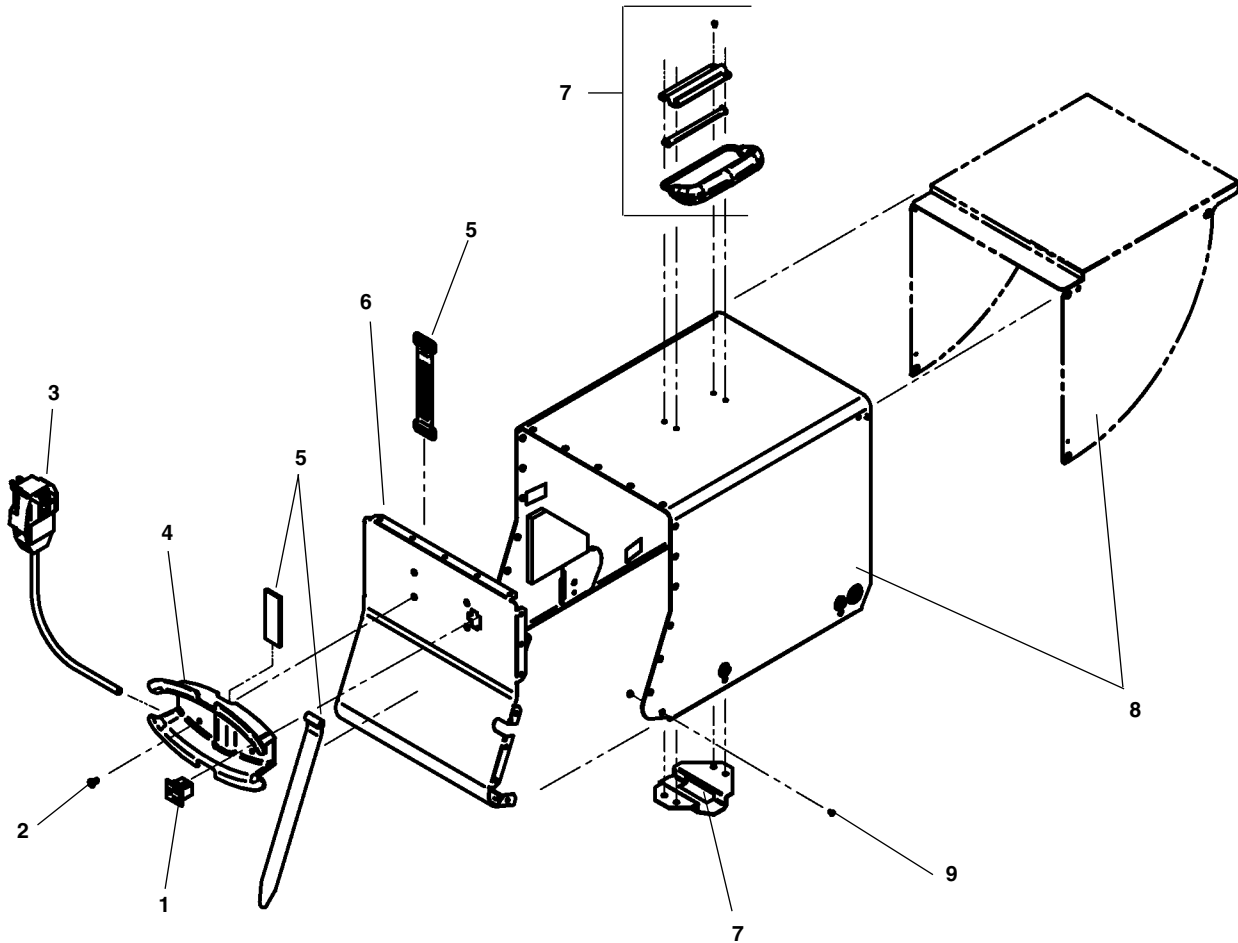
Ref. No.	Catalog No.	Description	Ref. No.	Catalog No.	Description
1	15898	Screw (24)	6	15963	Monitor Frame Assembly
2	87252	Power Pack w/aud (115V)	7	15973	Left Door Assembly
	87257	Power Pack w/aud (230V)	8	15978	Top Door Assembly
3	76857	VCR Only (115V)	9	15988	Door Latch Assembly
	76862	VCR Only (230V)	10	15853	VSM Case Only
4	15968	VCR Frame Assembly	11	15993	Door Bushing (6)
5	76837	Monitor Only (115V)	12	15998	Washer (6)
	76842	Monitor Only (230V)	13	15983	Right Door Assembly



**NOTE: Order parts by Catalog Number only.  
DO NOT order by Reference Number.**

Ref. No.	Catalog No.	Description
1	10203	Monitor+VCR Housing Assembly (B&W) (Includes Ref. No. 1-11)
	10208	Monitor+VCR Housing Assembly (Color)
	25248	LCD Monitor/DVDR Housing Assembly (Includes Ref. No. 1-11)
2	14963	Top Foam Packing (Monitor/VCR)
	25253	Top Foam Packing (LCD/DVDR)
3	14968	Side Foam Packing
4	91587	Left Cover Block
	91592	Right Cover Block (Not Shown)
5	91612	Hood Retaining Washer (2)
6	91622	Pivot Screw (2)
7	91607	Hood Retaining Screw (2)
8	91617	Sun Hood O-Ring (2)
9	91602	Sun Hood Spring (Monitor/VCR) (2)
	25268	Sun Hood Spring (LCD Monitor/DVDR) (2)
10	91597	Pivot Shoulder Washer (2)
11	16843	Hex Head Screw (2)
12	14913	Screw (4)
13	14018	Push Button & Spring Assembly (2)
14	14983	Right Button Block Assembly
15	14978	Left Button Block Assembly

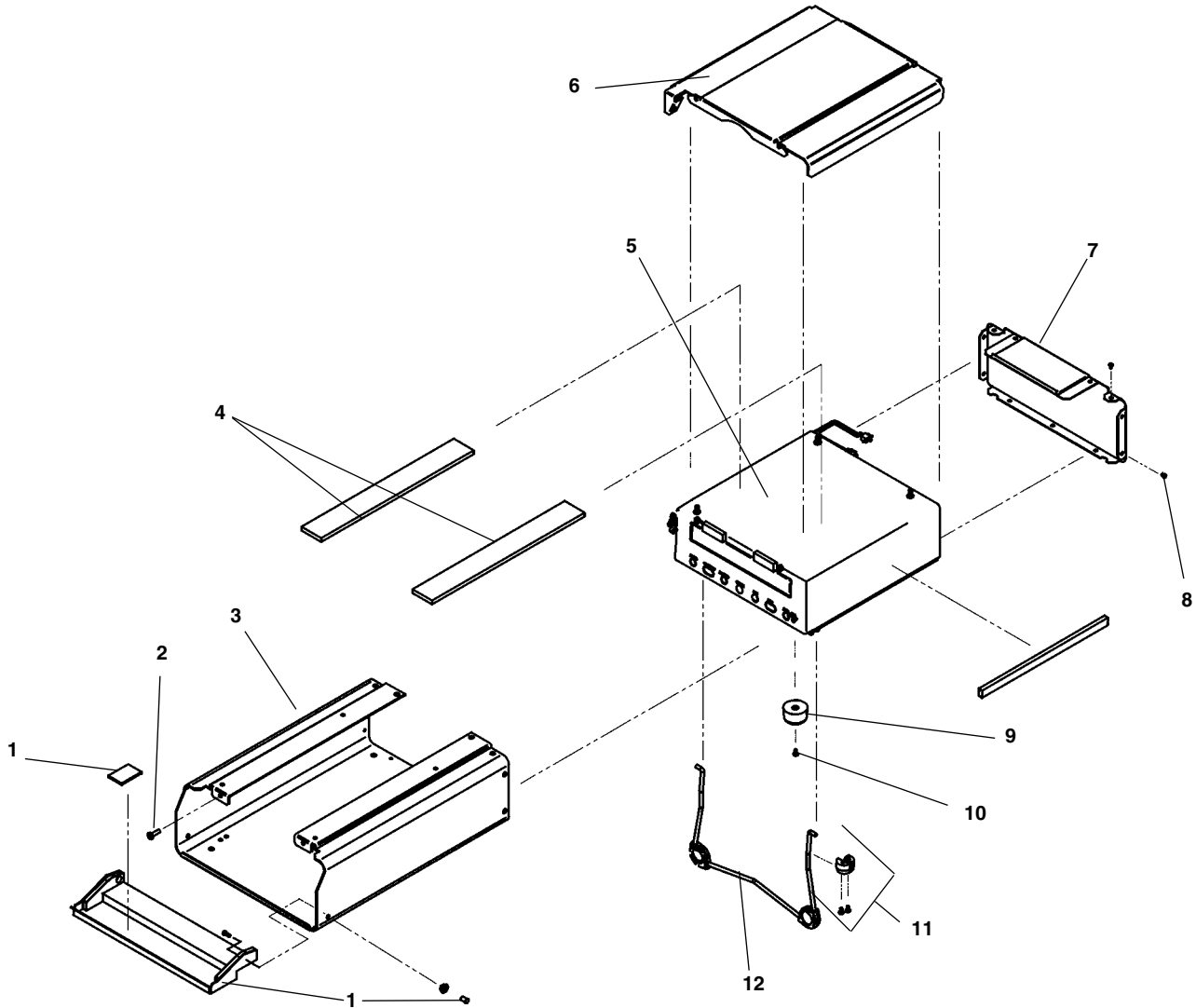
NOTE: All listed parts compatible with both Monitor/VCR & LCD/DVDR unless specifically described as belonging to particular system



**NOTE: Order parts by Catalog Number only.  
DO NOT order by Reference Number.**

Ref. No.	Catalog No.	Description
1	87212	Outlet Only (EIA)
	87217	Outlet Only (CCIR)
2	16848	Screw (4)
3	71637	GFCI Cord (115V)
	87222	GFCI Cord (230V)
4	14943	Cord Wrap
5	14948	Cord Tie Strap Assembly
6	24268	Rear Monitor+VCR Cover (B&W)
	14938	Rear Monitor+VCR Cover (Color) (Also F/LCD/DVDR)
7	14838	Handle Assembly
8	10203	Monitor+VCR Housing Assembly (B&W)
	10208	Monitor+VCR Housing Assembly (Color)
	25248	LCD Monitor/DVDR Housing Assembly
10	14913	Screw (23)
<b>Item Not Shown:</b>		
	21843	Strain Relief w/Mounting Plate

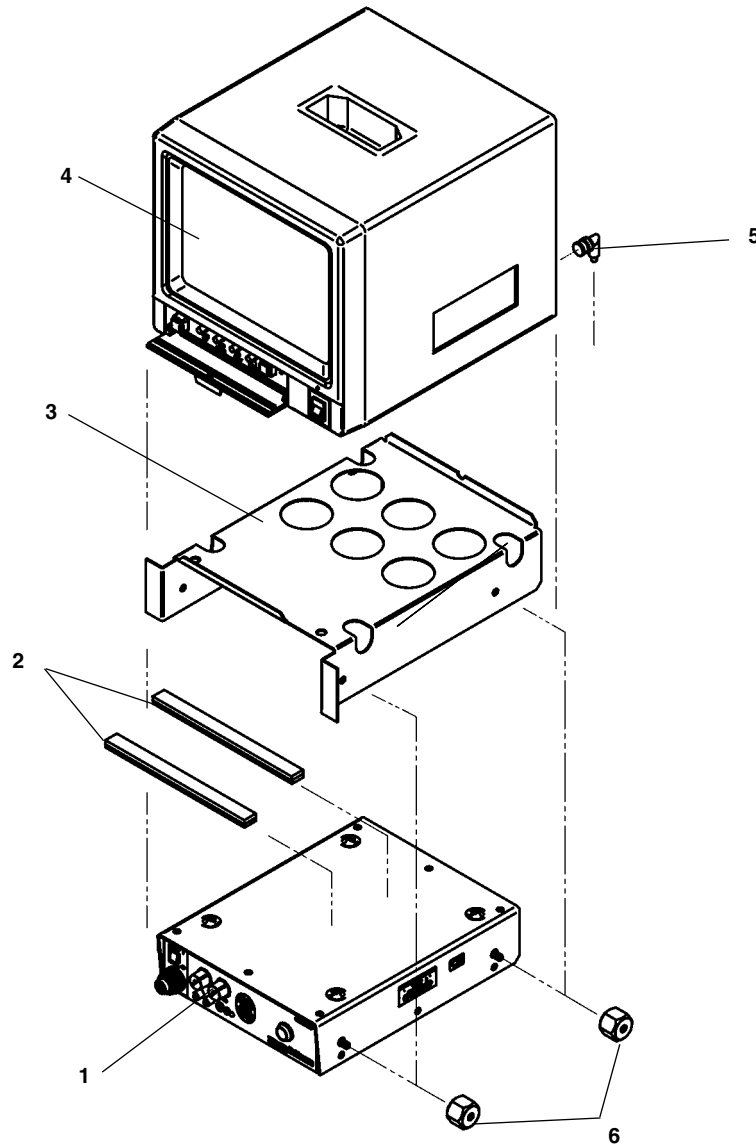
NOTE: All listed parts compatible with both Monitor/VCR & LCD/DVDR unless specifically described as belonging to particular system



**NOTE: Order parts by Catalog Number only.  
DO NOT order by Reference Number.**

Ref. No.	Catalog No.	Description	Ref. No.	Catalog No.	Description
1	14843	VCR Door Assembly	6	10898	VCR Bracket Assembly
	25273	DVDR Door Assembly		25228	DVDR Bracket Assembly (115V)
2	14848	Screw (2)		25233	DVDR Bracket Assembly (230V)
3	14853	VCR Shell Assembly	7	16833	VCR Backplate
	25223	DVDR Shell Assembly		25238	DVDR Backplate
4	14928	VCR Top Foam	8	14913	Screw (11)
	25288	DVDR Top/Side Foam (115V)	9	14918	Support Leg (4)
	25318	DVDR Top/Side Foam (230V)	10	14923	Screw (4)
5	76857	VCR (115V) (Black, Type 1)	11	14878	Kickstand Retainer Assembly
	23198	VCR (115V) Gray, Type 2)	12	76947	Kickstand Assembly
	76862	VCR (230V)			
	25328	DVDR Only (115V)			
	25333	DVDR Only (230V)			

NOTE: All listed parts compatible with both Monitor/VCR & LCD/DVDR unless specifically described as belonging to particular system

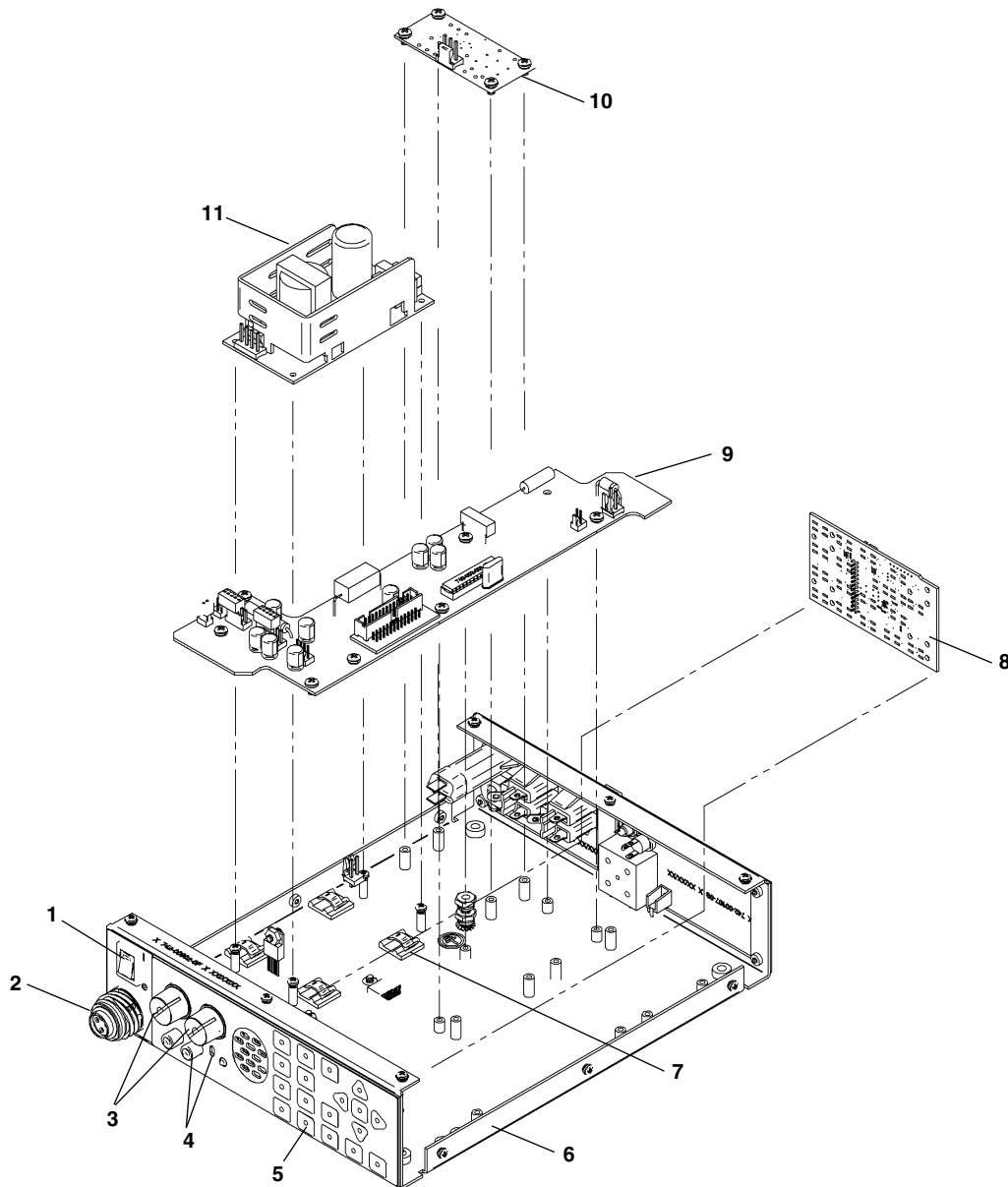


**NOTE: Order parts by Catalog Number only.  
DO NOT order by Reference Number.**

Ref. No.	Catalog No.	Description
1	87252	Power Pack 115V (Monitor/VCR)
	87257	Power Pack 230V (Monitor/VCR)
	25128	Power Pack 115V (LCD/DVDR)
	25193	Power Pack 230V (LCD/DVDR)
2	14933	Foam (Monitor/VCR)
	25298	Foam (LCD/DVDR)
3	14958	Power Pack Cover (Color Syst Only)
4	76837	Monitor Only (B&W) 115V
	76842	Monitor Only (B&W) 230V
	76847	Monitor Only (Color) 115V
	76852	Monitor Only (Color) 230V
	25178	LCD Only (LCD/DVDR)
5	14953	90 Degree Adapter & Cable (Monitor/VCR Only)
	25258	SCART Cable (230V LCD/DVDR Only, Not Shown)
6	16838	Spacer (Color Systems Only) (4)

NOTE: All listed parts compatible with both Monitor/VCR & LCD/DVDR unless specifically described as belonging to particular system

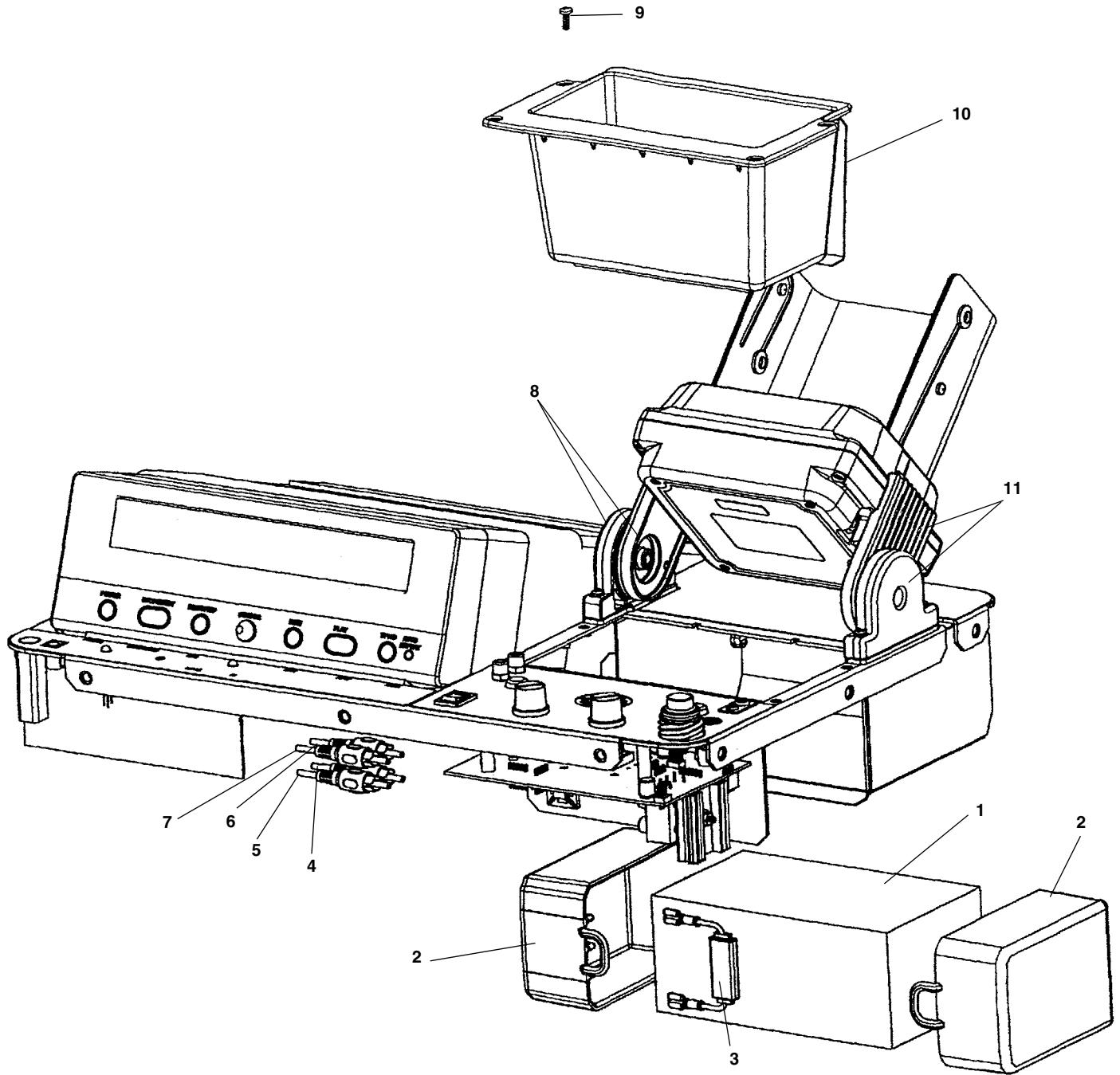




**NOTE: Order parts by Catalog Number only.  
DO NOT order by Reference Number.**

Ref. No.	Catalog No.	Description	Ref. No.	Catalog No.	Description
	25128	DVDR Power Pack (115V)	8	25368	Keypad Circuit Board Assembly (LCD/DVDR Only)
	25193	DVDR Power Pack (230V)	9	25363	Circuit Board Asm (L Board, LCD/DVDR Only)
	87252	Monitor/VCR Power Pack (115V)		87167	Circuit Board Asm (L Board, Monitor/VCR Only)
	87257	Monitor/VCR Power Pack (230V)	10	87177	Power Protection Board Asm
1	86052	Power Switch Assembly	11	87172	Power Board Asm
2	77307	Bulkhead Connector		86062	Circuit Breaker 15 Amp (115V) (Not Shown)
3	87152	Knob w/Set Screw (2)		86067	Circuit Breaker 6 Amp (230V) (Not Shown)
	87157	Dimmer Control Switch (Yellow)		25373	IDC Cable, 26 Pin 6" (Not Shown LCD/DVDR Only)
		Not Shown		71637	GFCI (115V)
	87162	Volume Control Switch (Red)		87222	GFCI (230V)
		Not Shown			
4	86092	Speaker/Microphone Jack Asm			
5	25208	Keypad (LCD/DVDR Only)			
6	87237	Power Pack Case Bottom			
	87232	Power Pack Top Cover (Not Shown)			
7	87247	Adhesive Wire Clip			

NOTE: All listed parts compatible with both Monitor/VCR & LCD/DVDR unless specifically described as belonging to particular system

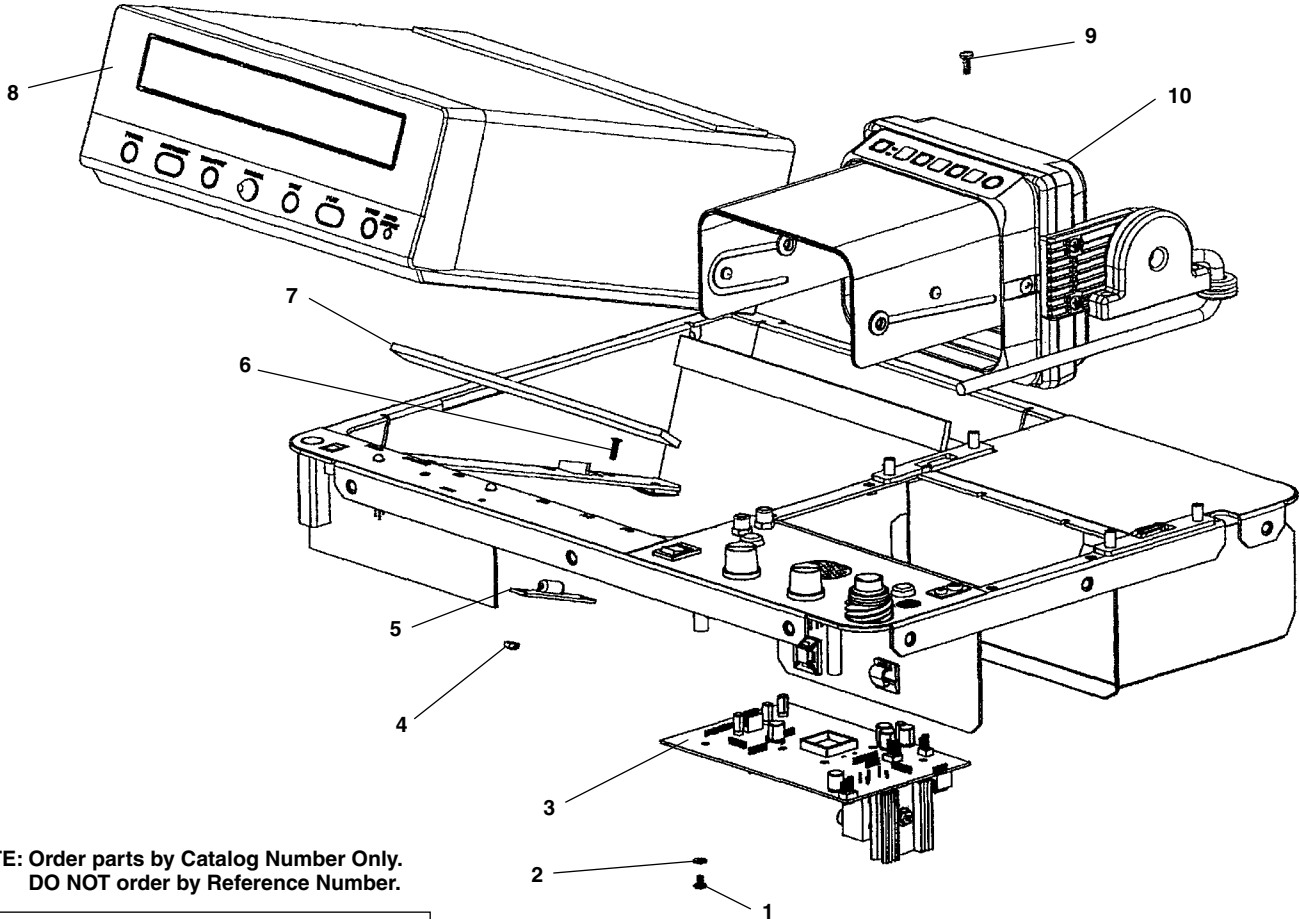


**NOTE: Order parts by Catalog Number Only.  
DO NOT order by Reference Number.**

Ref. No.	Catalog No.	Description
1	93117	Battery
2	91892	Battery Cap (2)
3	91742	Fuse Board Assembly
4	91897	Red RCA Cable Assembly
5	91902	Yellow RCA Cable Assembly
6	91912	Green RCA Cable Assembly
7	91907	White RCA Cable Assembly
8	92647	Left Pivot Assembly
9	91867	6 - 32 x 3/8" Phil. Screw (8)
10	91882	Pocket
11	92652	Right Pivot Assembly

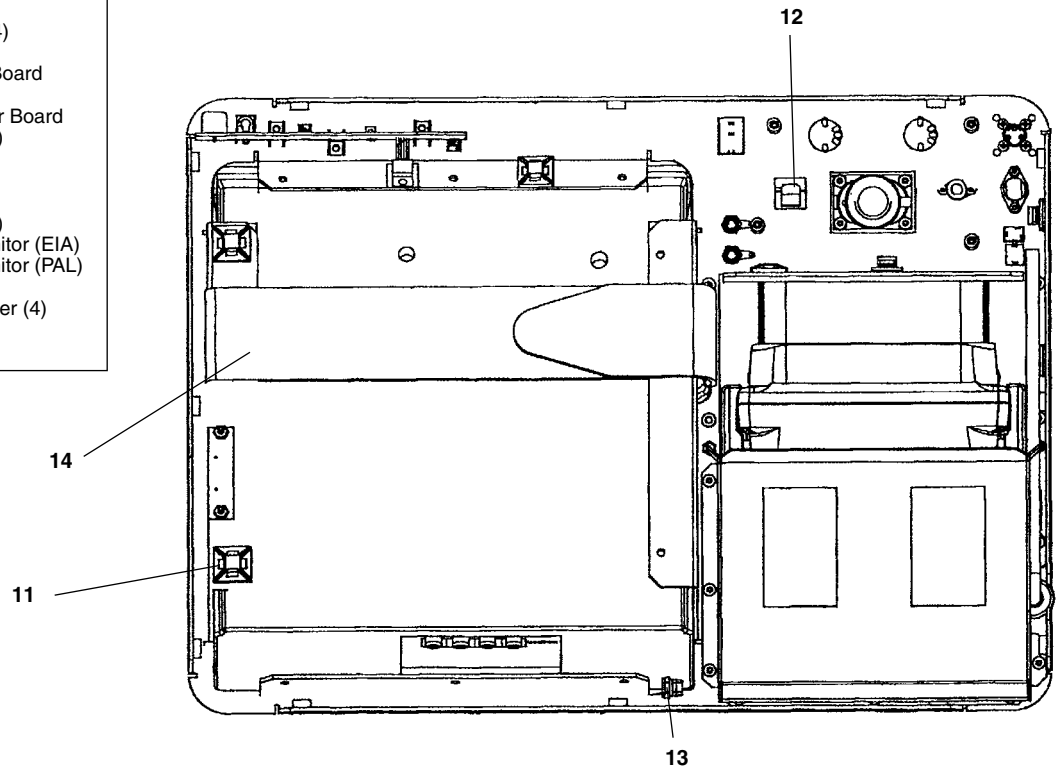
**Items Not Shown**

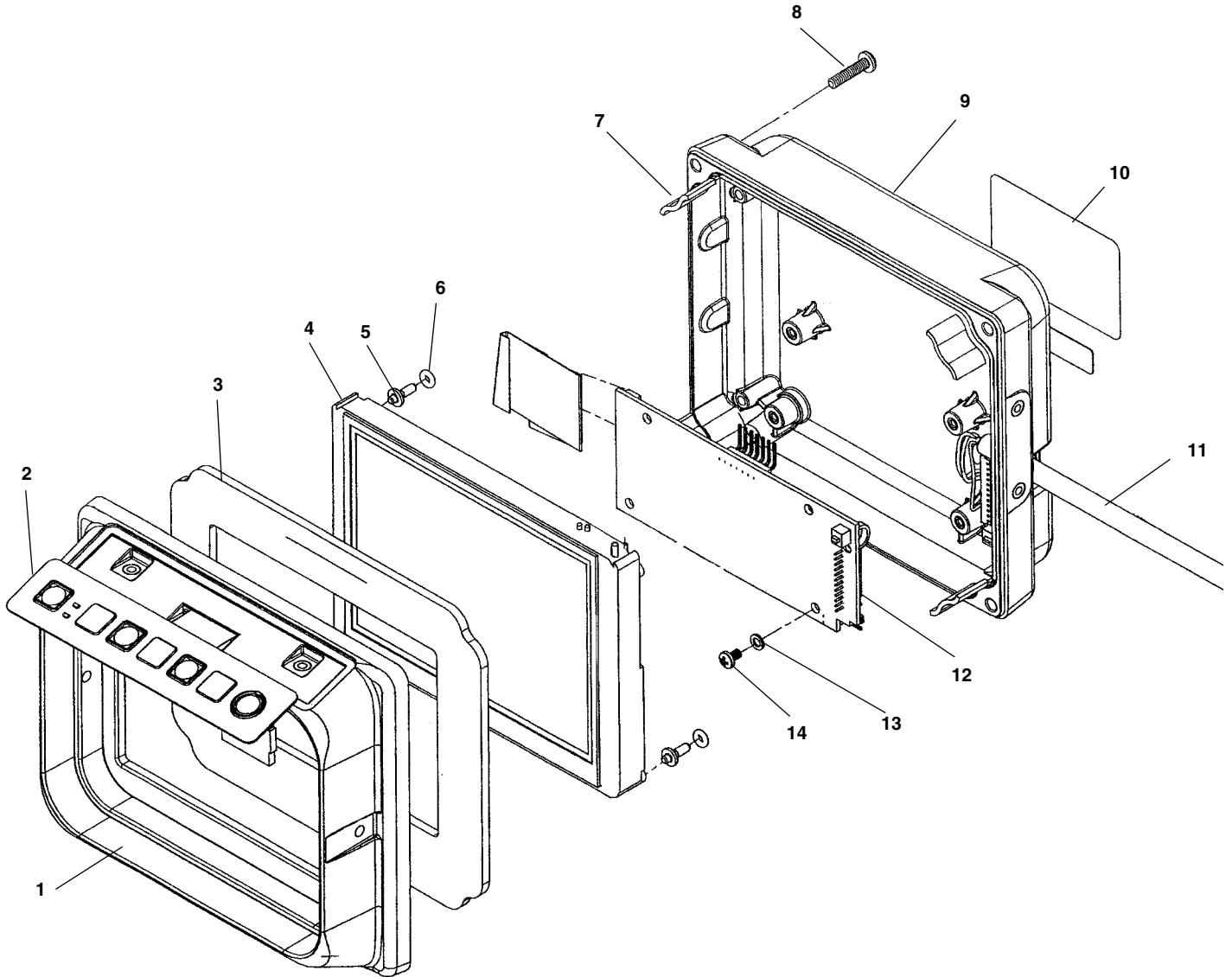
10953	AC Power Supply
91692	115V Power Cord
91697	203V Power Cord



**NOTE: Order parts by Catalog Number Only.  
DO NOT order by Reference Number.**

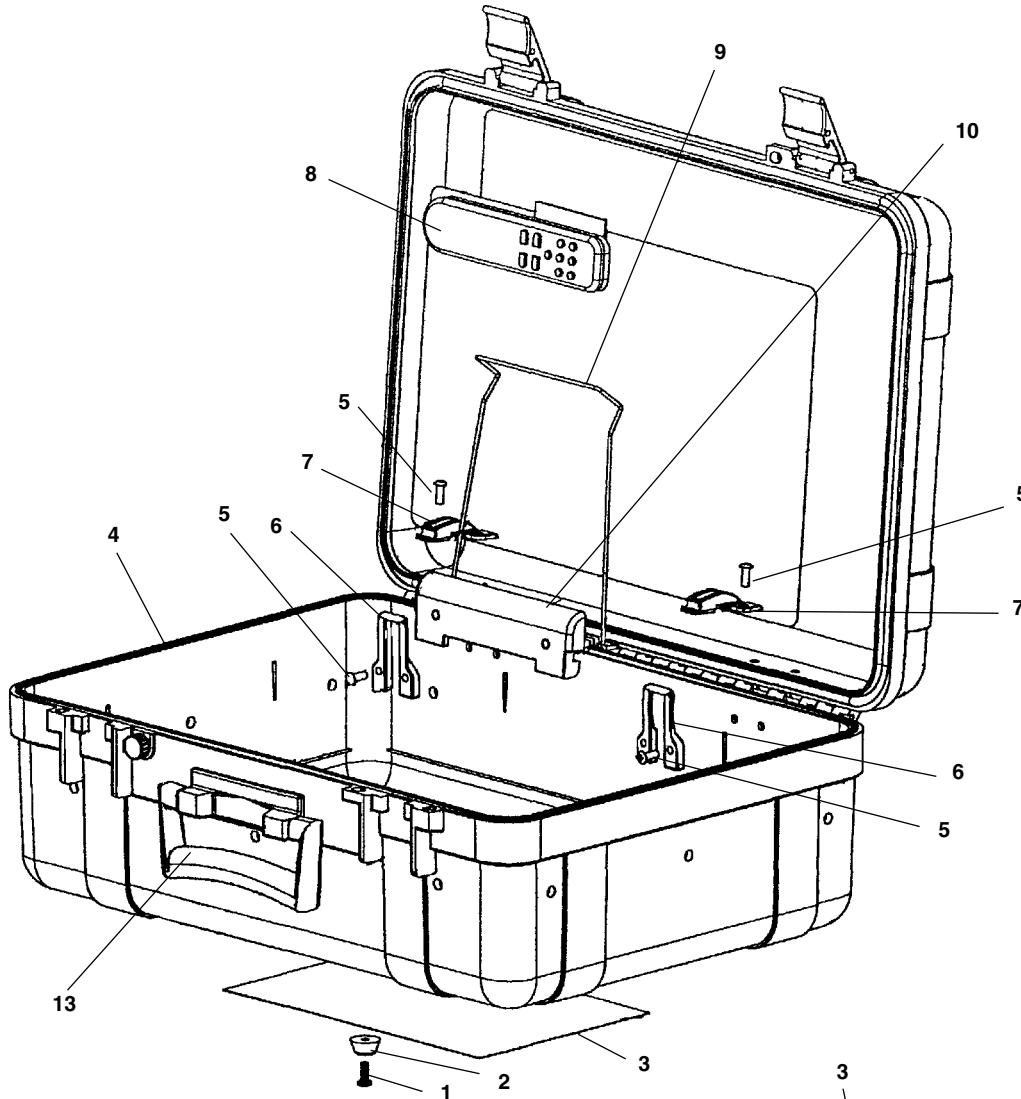
Ref. No.	Catalog No.	Description
1	88092	6 - 32 x 3/16" Screw (4)
2	91782	Lock Washer (4)
3	91837	Audio/Video Power Board
4	91767	4 - 40 Hex Nut (6)
5	91857	Record Detect Power Board
6	91862	4 - 40 x 3/8" Screw (2)
7	91842	Neoprene Foam
8	76857	VCR 115V
	76862	VCR 230V
9	91867	6 - 32 x 3/8" Screw (4)
10	91847	Color Tool Case Monitor (EIA)
	91852	Color Tool Case Monitor (PAL)
11	91827	Cable Tie Holder (4)
12	91832	Large Wire Clip Holder (4)
13	91877	Cord Retainer
14	91822	VCR Strap





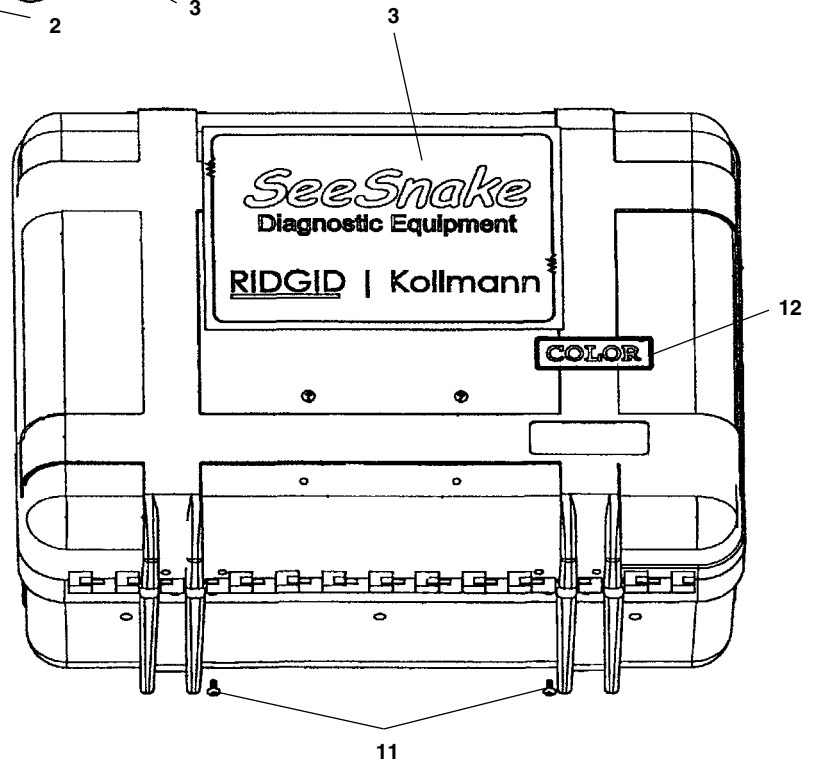
**NOTE: Order parts by Catalog Number Only.  
DO NOT order by Reference Number.**

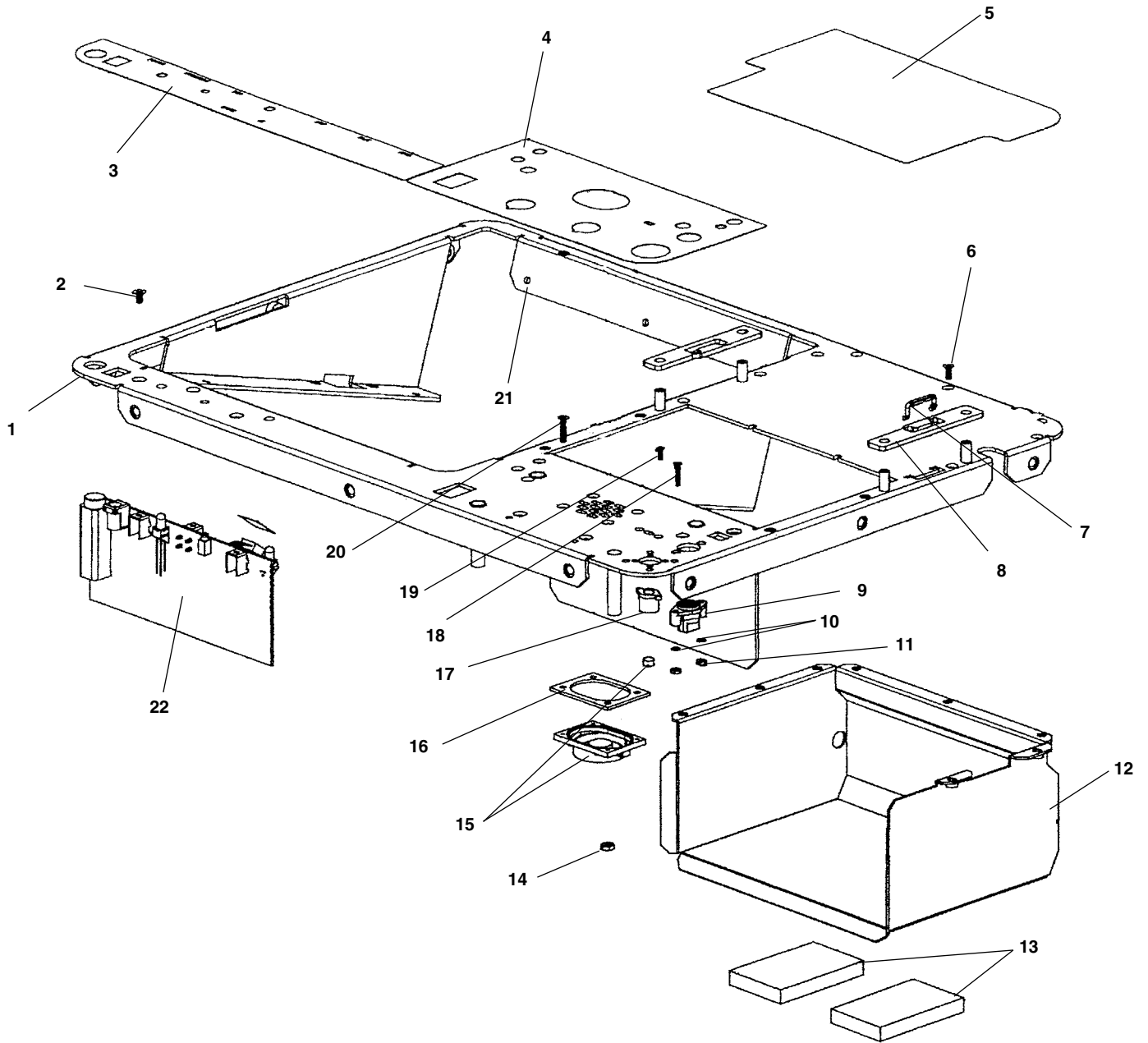
Ref. No.	Catalog No.	Description
1	91937	Monitor Front Housing
2	91927	Color Tool Case Keypad
3	91932	Color Toolbox Monitor Gasket
4	16853	Display Module (115V)
	16858	Display Module (230V)
5	91952	Mounting Pin (4)
6	91617	O-Ring (4)
7	91992	Corner Housing Pad
8	91972	6 - 32 x 5/8" Screw (4)
9	91987	Monitor Rear Housing
10	91977	Serial Label (115V)
	91982	Serial Label (230V)
11	91997	Monitor Cable
12	91962	Monitor Power Board (115V)
	91967	Monitor Power Board (230V)
13	88047	Split Lock Washer (4)
14	91957	4 - 40 x 3/16" Screw (4)



**NOTE: Order parts by Catalog Number Only.  
DO NOT order by Reference Number.**

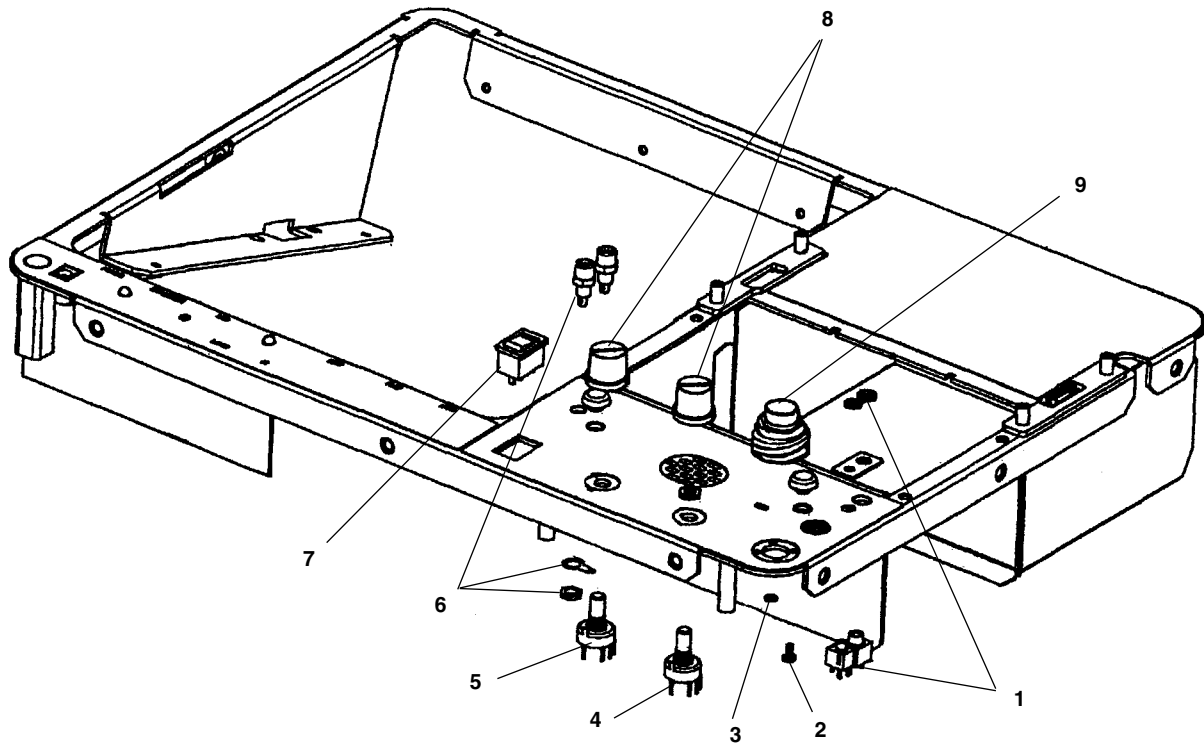
Ref. No.	Catalog No.	Description
1	91677	8 - 32 x 1/2" Screw (4)
2	91657	Rubber Foot (4)
3	91667	Large Lid Label
4	92677	Color Tool Case Only
5	91672	6 - 32 x 1/2" Nut Barrel (4)
6	91632	Clip Support (2)
7	91642	Lid Supp Tab (2)
8	86097	Remote Control
9	88147	Toolbox Bail
10	91637	Bail Cover
11	88112	6 - 32 x 5/16" Screw (10)
12	91662	Small Lid Label
13	16823	Handle Only





**NOTE: Order parts by Catalog Number Only.  
DO NOT order by Reference Number.**

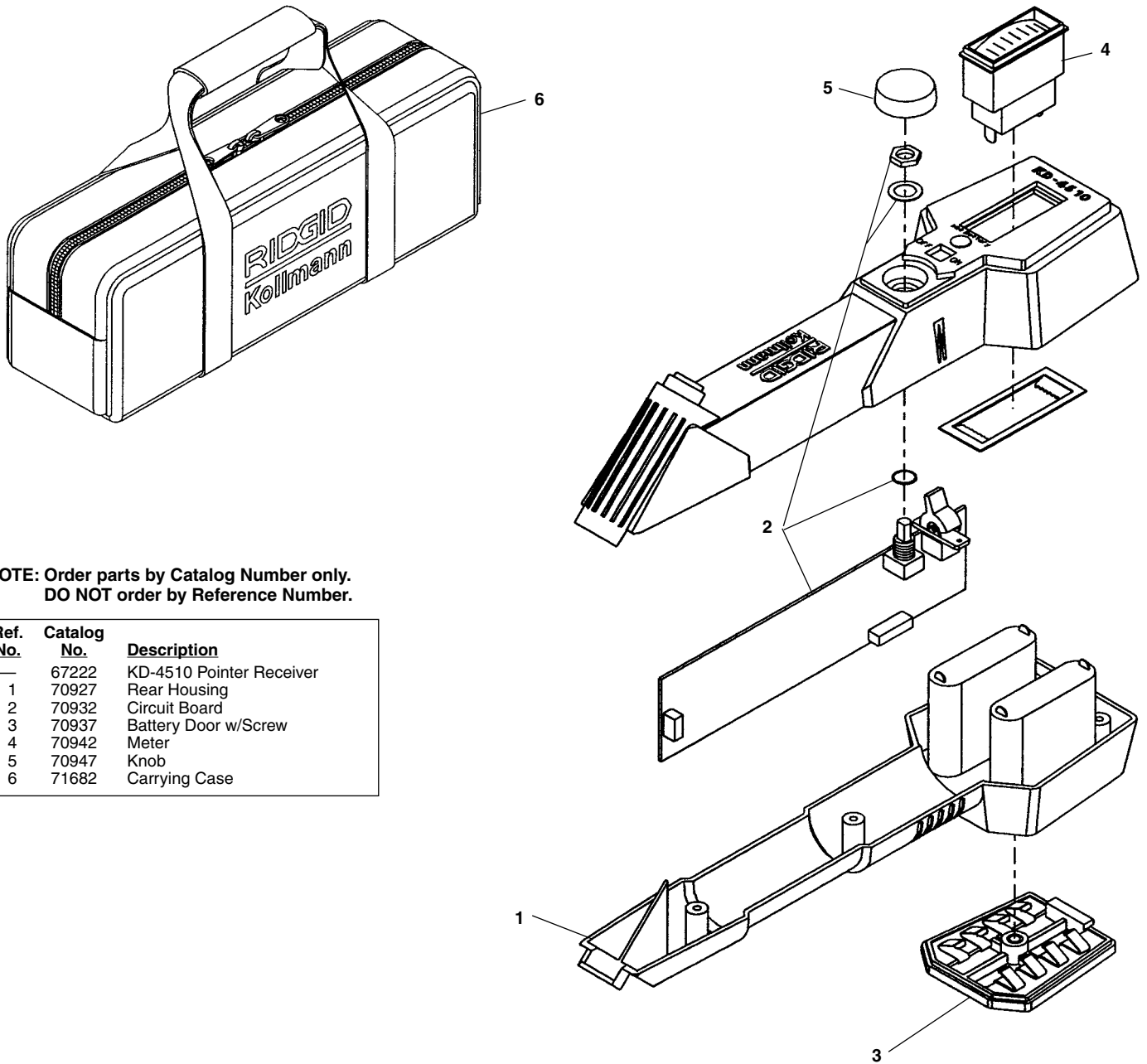
Ref. No.	Catalog No.	Description	Ref. No.	Catalog No.	Description
1	91707	Color Tool Case Panel	12	91732	Battery Tray
2	91762	6 - 32 x 1/4" Flat Screw (3)	13	91737	Battery Tray Foam (2)
3	91712	VCR Panel Label	14	91767	4 - 40 Hex Nut (4)
4	91717	Front Panel Label	15	91747	Internal Mic & Speaker Assy.
5	91722	Rear Panel Label	16	91752	Speaker Gasket
6	91777	4 - 40 x 1/4" Flat Screw (8)	17	91757	Mic Holder
7	88992	Reed Switch Assembly	18	88077	2 - 56 x 1/2" Flat Screw (2)
8	91727	Monitor Spacer	19	91772	2 - 56 x 1/4" Flat Screw (2)
9	88172	Connector	20	91782	4 - 40 X 1/2" Flat Screw (4)
10	88082	Split Lock Washer (4)	21	88047	Split Lock Washer (10)
11	88087	2 - 56 Hex Nut (4)	22	91742	Fuse Board Assembly



**NOTE: Order parts by Catalog Number Only.  
DO NOT order by Reference Number.**

Ref. No.	Catalog No.	Description
1	91812	External Mic Speaker Assembly
2	88052	4 - 40 x 1/4" Screw (4)
3	88047	Lock Washer
4	87157	Dimmer Switch
5	87162	Volume Control Switch
6	91792	Audio/Video Dubbing Assembly
7	91797	Power Switch
8	87152	Knob w/Set Screw (2)
9	77307	Interconnect Bulkhead

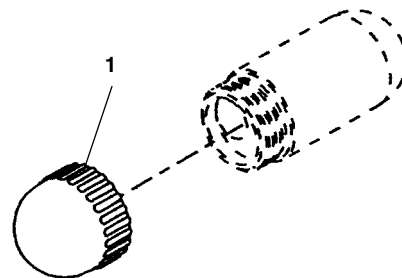
## Pointer Receiver



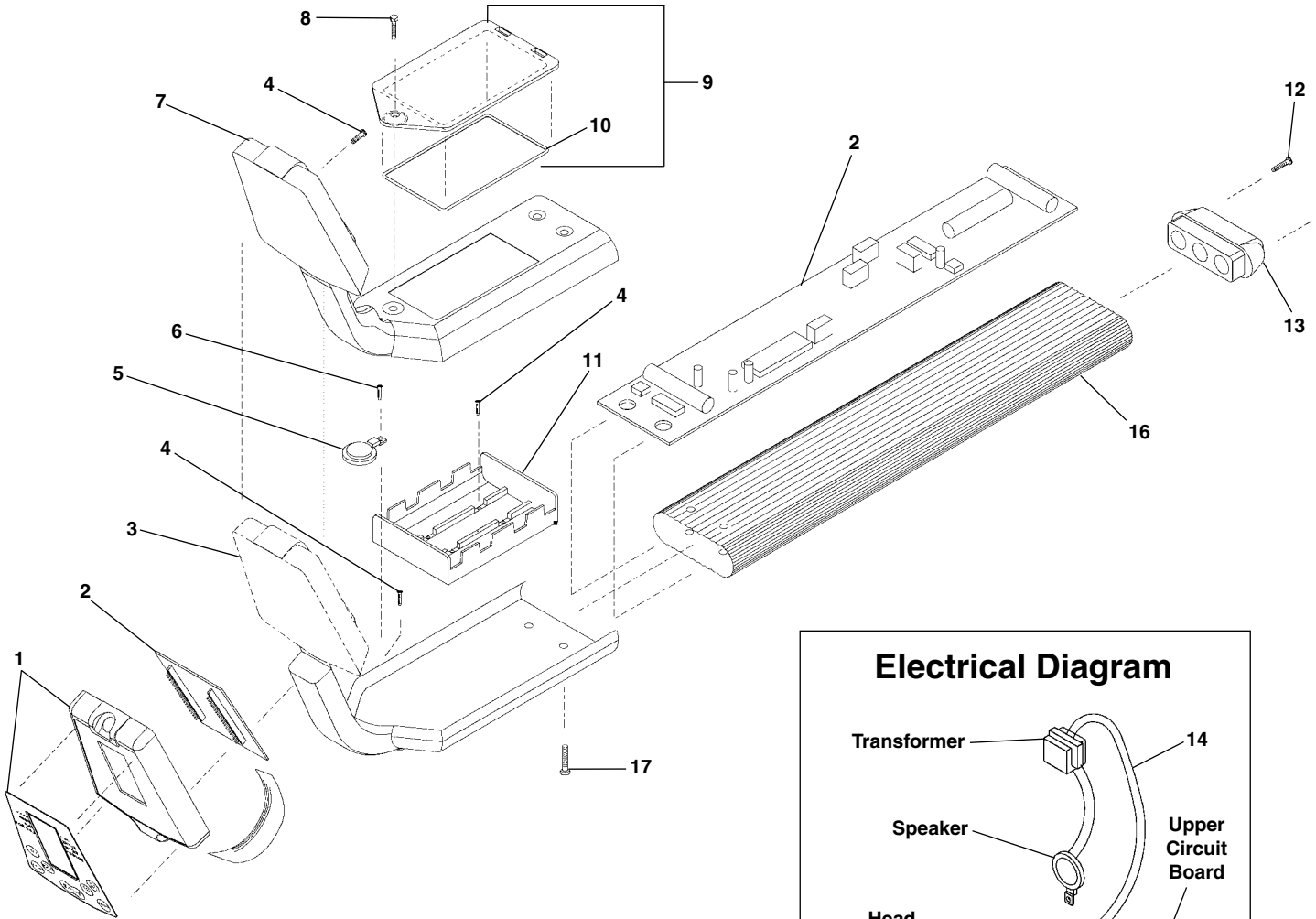
**NOTE: Order parts by Catalog Number only.  
DO NOT order by Reference Number.**

Ref. No.	Catalog No.	Description
—	67222	KD-4510 Pointer Receiver
1	70927	Rear Housing
2	70932	Circuit Board
3	70937	Battery Door w/Screw
4	70942	Meter
5	70947	Knob
6	71682	Carrying Case

Ref. No.	Catalog No.	Description
—	67227	Remote Transmitter
1	70957	Sonde Cap

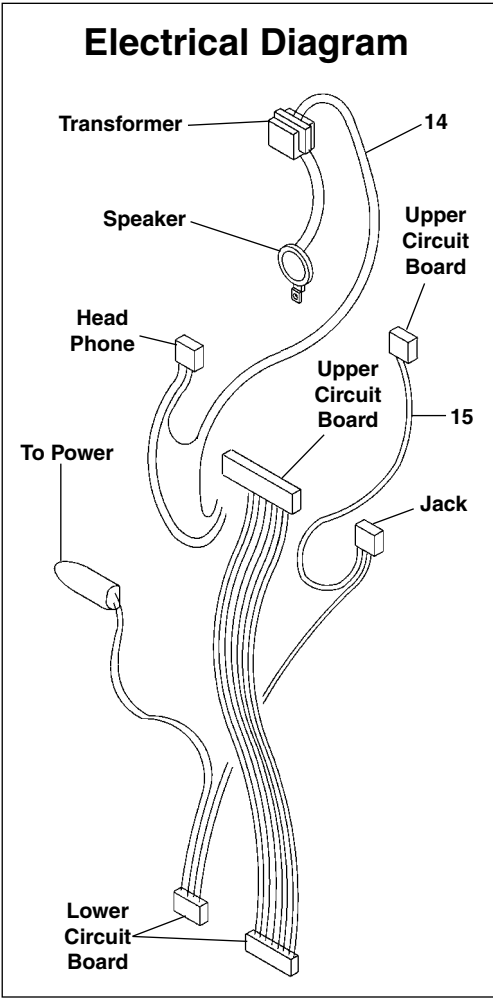


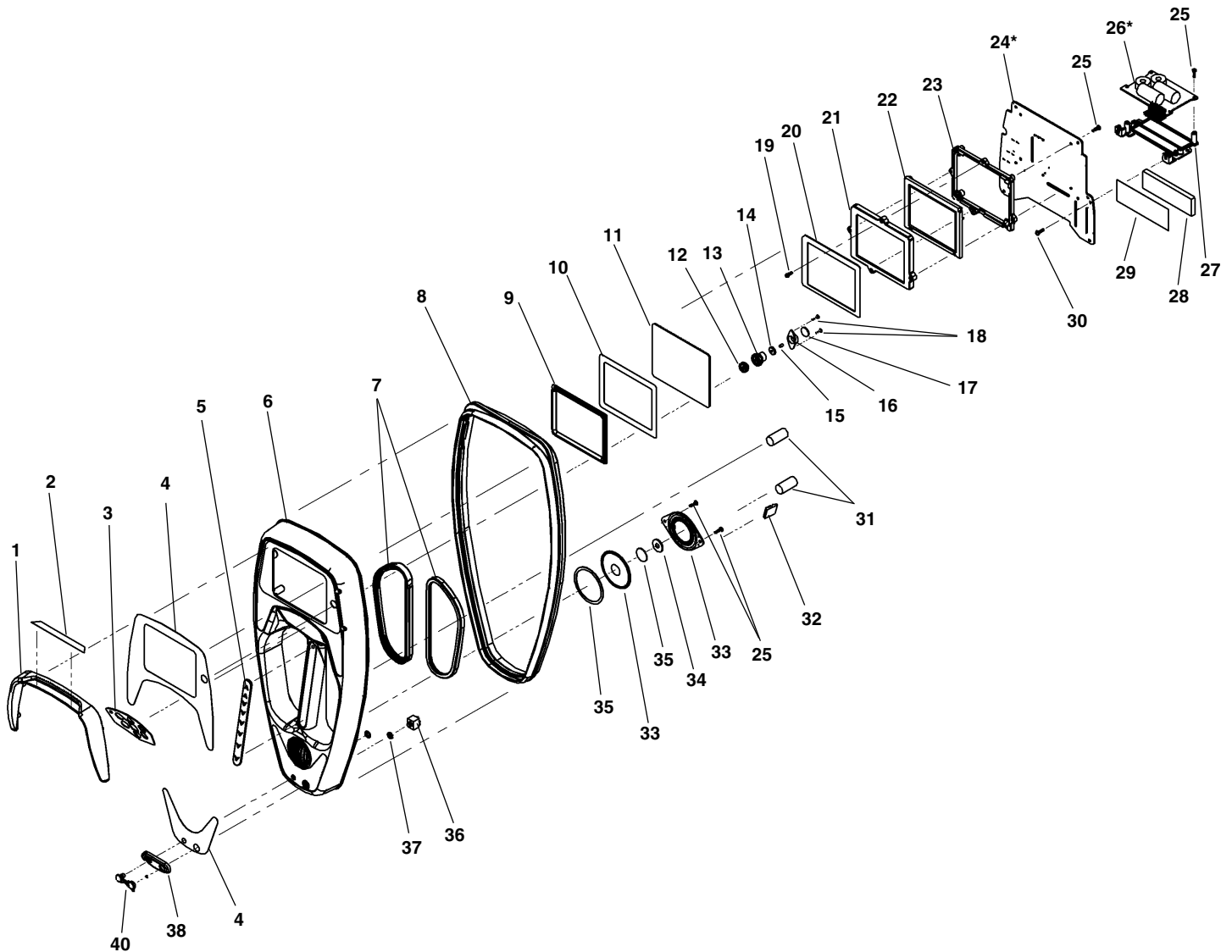




**NOTE: Order parts by Catalog Number Only.  
DO NOT order by Reference Number.**

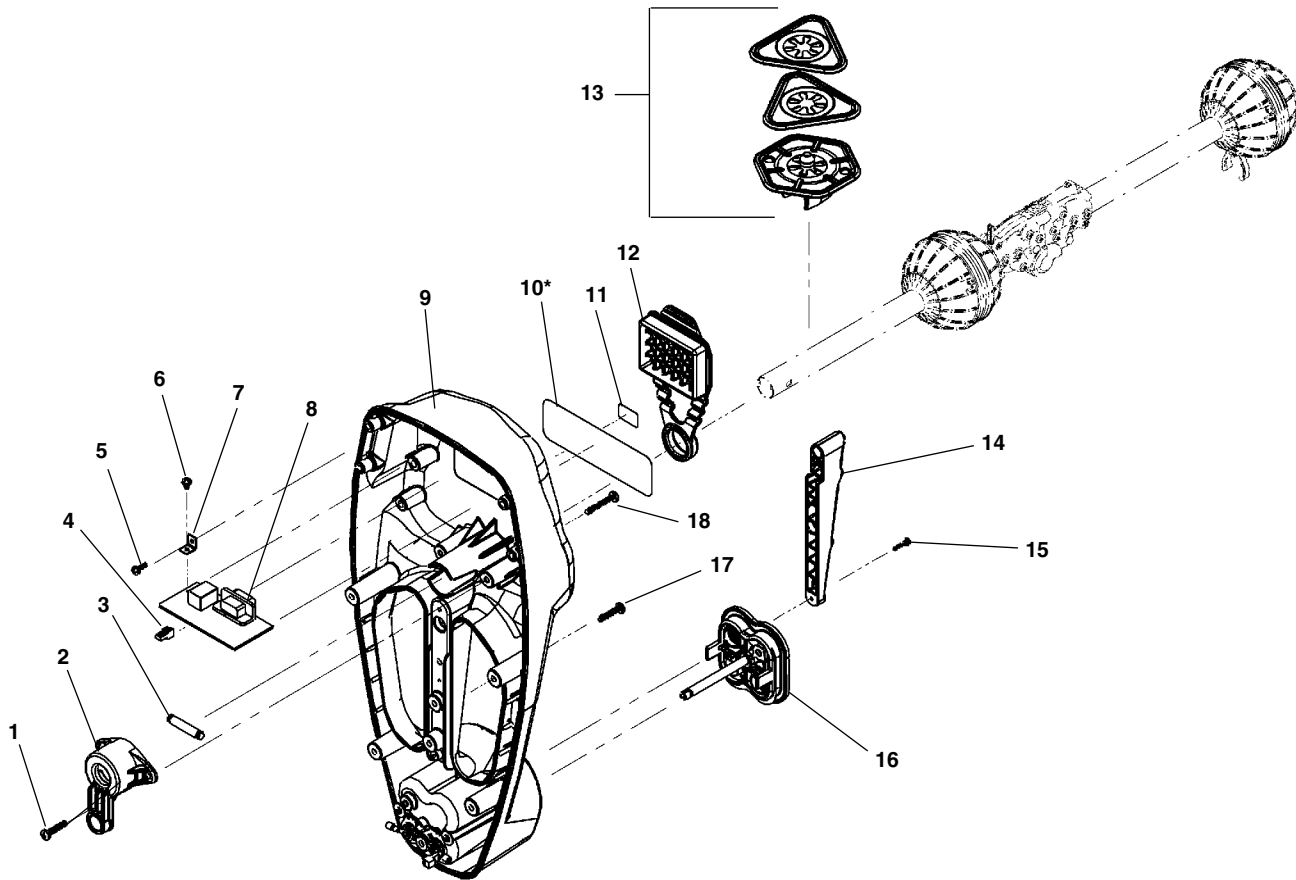
Ref. No.	Catalog No.	Description
1	92537	Keypad Console Assembly
2	92622	Power Board Assembly
3	92507	Lower Receiver Housing
4	92567	#4-24 x 3/16" Tap Screw (8)
5	92552	Internal Speaker
6	92562	#2-32 x 1/4" Tap Screw (2)
7	92512	Upper Receiver Housing
8	92582	#10-24 x 1/2" Screw
9	93597	Battery Door w/O-Ring
10	92592	O-Ring
11	92557	Battery Holder
12	92572	#6 x 3/4" Tap Screw (2)
13	92517	End Cap
14	92502	Battery Wiring Harness
15	92472	Main Wiring Harness
16	92532	Lower Body
17	92587	13/16"-18 x 5/8" Button Hd. Cap Screw (2)





**NOTE: Order parts by Catalog Number only.  
DO NOT order by Reference Number.**

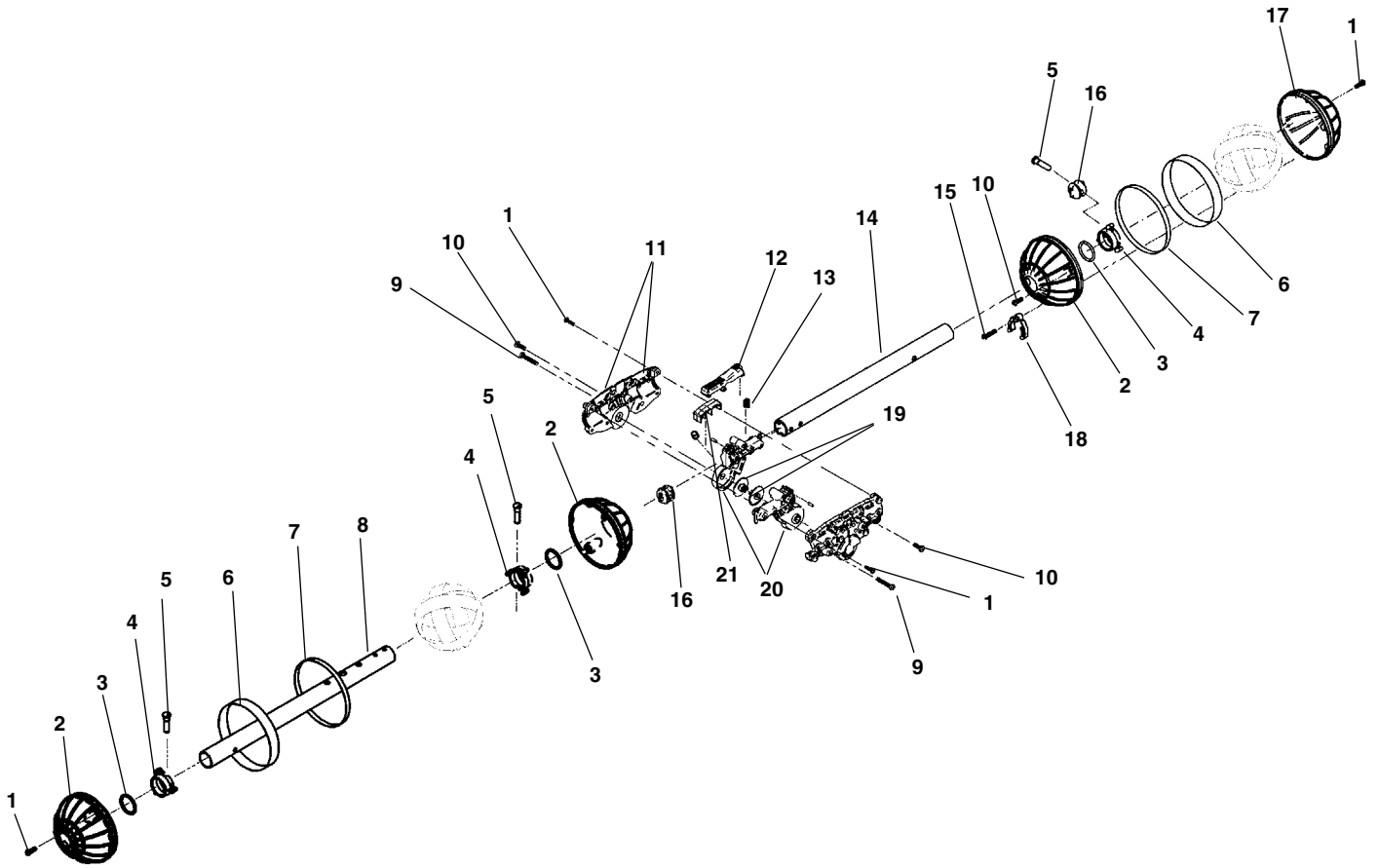
Ref. No.	Catalog No.	Description	Ref. No.	Catalog No.	Description
1	25793	Brow	22	25903	LCD Only
2	25798	Brow Label	23	25908	LCD Bottom Mount Bracket
3	21343	Keypad	24	*	Requires Factory Recalibration
4	25808	Label Set	25	24488	#4-20 x 3/8" Screw (7)
5	25813	Handle Insert Pad	26	*	Requires Factory Recalibration
6	25818	Top Case Only	27	25913	Power Board Mount
7	25823	Top Case Assembly w/Keypad	28	25918	Foam Backing
8	25833	Case Seal	29	25923	Polyester Tape
9	25838	LCD Window Gasket	30	25988	Screw #4-40 x 3/8" (2)
10	25843	LCD Window Adhesive	31	25938	Speaker Wire Foam Brace
11	25848	LCD Window Only	32	25943	Adhesive Wire Clip
12	25853	Level Bubble	33	25948	Speaker Asm
13	25858	Level Bubble Holder	34	25953	Flat Washer
14	25863	LED Retaining Washer	35	25958	Speaker Gasket Set
15	25868	LED	36	25963	Headphone Jack
16	25873	Level Bubble Retainer	37	25968	Retaining Ring
17	25878	Level Support Pad	38	25973	Headphone Jack Pad
18	25983	Screw #2 x 3/8" (2)	39	25978	Headphone Jack Cover
19	25888	Screw #4-20 x 5/16" (4)	<b>Following Item Not Shown</b>		
20	25893	LCD Support Gasket	26143		Ribbon Cable Asm (Connects Keypad Ribbon To Main Circuit Board)
21	25898	LCD Top Mount Bracket			



**NOTE: Order parts by Catalog Number only.  
DO NOT order by Reference Number.**

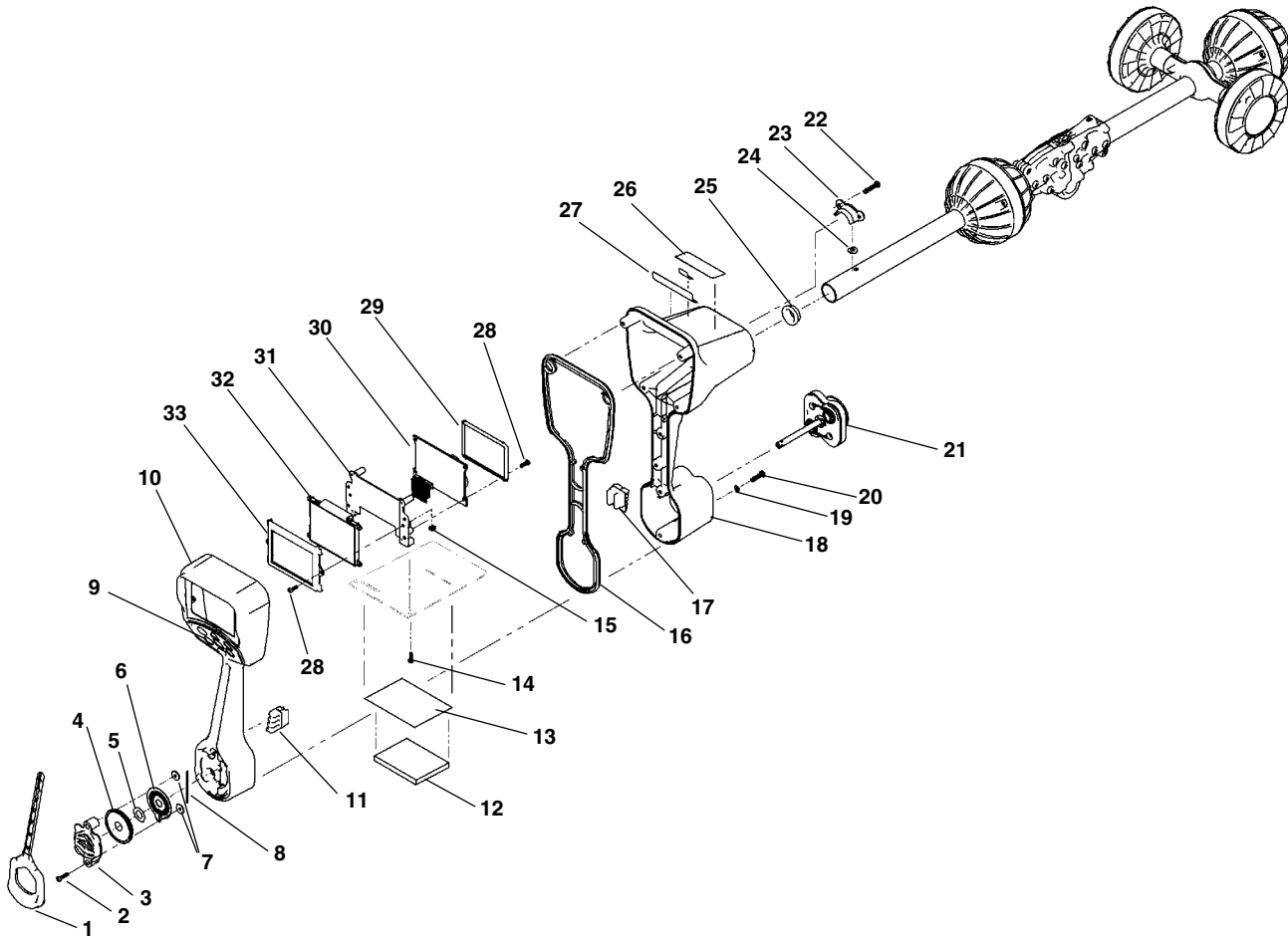
Ref. No.	Catalog No.	Description
1	26063	Screw #8-16 x 3/8" (2)
2	26068	Tube Cap
3	26073	Dowel Pin
4	26078	Flat Flex Cable
5	24588	Screw #6 x 3/8" (2)
6	24593	Screw #6-32 x 3/16"
7	24583	Right Angle Mounting Bracket (2)
8	24563	Serial Board Asm
9	26083	Bottom Case Asm (Incl. Battery Contacts)
10	*	Serial Number Label (Can Only Be Applied At Mfg.)
11	26088	CE Label (Europe Only)
	26113	WEEE Label (Europe Only)
12	26093	Bottom Cover
13	12543	Set Of Marker Chips
14	26098	Bottom Handle Insert
15	24488	Screw #4 x 1/2" (3)
16	23178	Battery Cover Asm
17	26103	Screw #8 x 3/4" (9)
18	24408	Screw #8 x 1" (4)

**Following Item Not Shown:**  
 26108 Flat Nylon Washer (13)  
 (Fits Behind Screw Shown As Ref. 17)



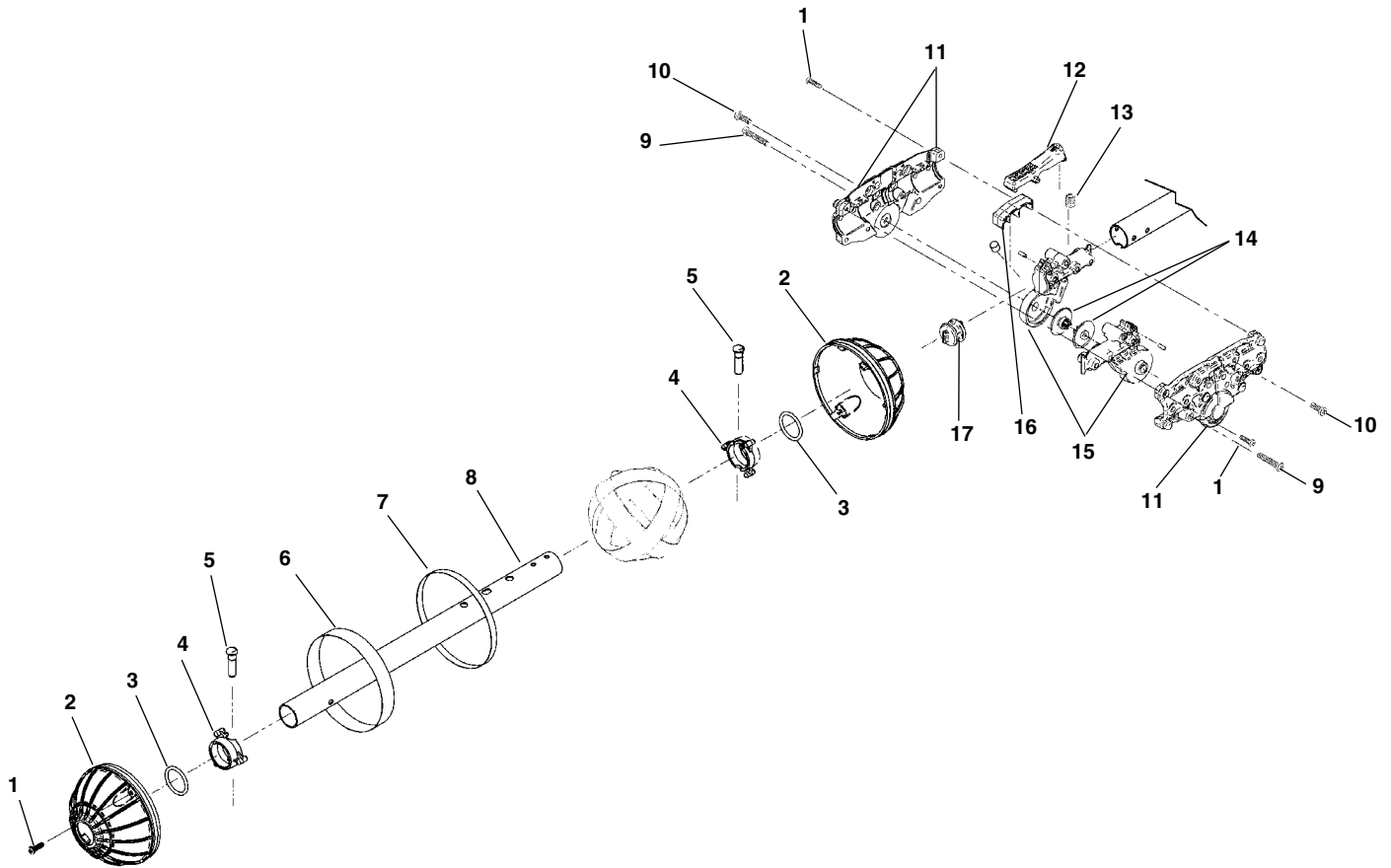
**NOTE: Order parts by Catalog Number only.  
DO NOT order by Reference Number.**

<u>Ref. No.</u>	<u>Catalog No.</u>	<u>Description</u>	<u>Ref. No.</u>	<u>Catalog No.</u>	<u>Description</u>
1	24413	Screw #6 x 1/2" (5)	12	23593	Pivot Latch
2	24328	Top Antenna Shell	13	23603	Latch Spring
3	24358	O-Ring	14	26133	Bottom Mast Tube
4	24318	Antenna Pin Ring	15	26128	Screw #6 x 3/4"
5	24373	Antenna Pin	16	23613	Tube Seal
6	26118	Antenna Ball Label	17	26138	Bottom Antenna Shell
7	24363	Double Sided Tape Roll	18	24333	Tube Lock
8	26123	Top Mast Tube	19	23598	Wire Reel
9	24408	Screw #8 x 1" (4)	20	23588	Center Pivot
10	24403	Screw #8 x 1/2" (16)	21	23628	Rear Pivot Cover
11	23663	Outer Pivot Asm			



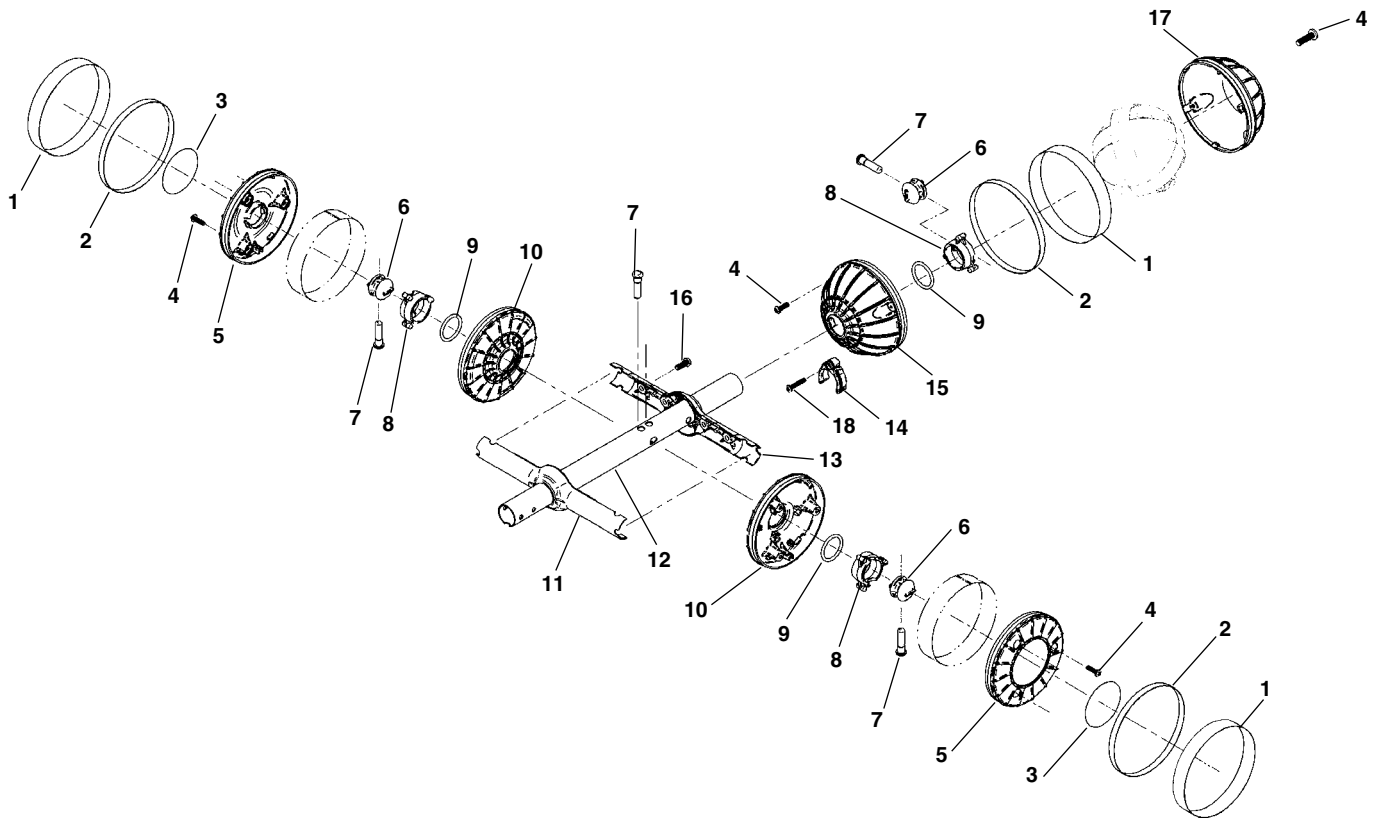
**NOTE: Order parts by Catalog Number only.  
DO NOT order by Reference Number.**

Ref. No.	Catalog No.	Description	Ref. No.	Catalog No.	Description
1	24483	Handle Pad	22	24368	Screw #6 x 3/4"
2	24488	Screw #4-20 x 1/2"	23	24538	Tube Bracket
3	24418	Speaker Gasket	24	24543	Tube Bracket Gasket
4	24493	Speaker	25	24548	Tube Seal
5	24498	Speaker Adhesive Label	26	24673	SR-20 Product Decal
6	24503	Speaker Circuit Board	27	24278	Icon Label
7	24508	Flat Washer	28	24553	Screw #4-20 x 3/8"
8	24513	Cross Pin	29	24558	Display Window
9	24428	Keypad	30	23643	LCD Display
10	24423	Top Case Only	31	23638	LCD Mounting Plate
	24518	Top Case Asm (Incl. Keypad & Battery Contacts)	32	23653	LCD Power Module
11	24298	Top Handle Seal	33	23658	LCD Gasket
12	24523	Foam, 2" Wide Sheet			
13	24528	Tape, 2.25" Wide Backing	<b>Following Items Not Shown</b>		
14	24383	Screw #4-40 x 3/8"	—	24563	Serial Board Asm
15	24533	Hex Nut #4-40	—	24568	USB/Serial Port Cover
16	24273	Housing Seal	—	24388	Bottom Handle Grip Pad
17	24293	Bottom Handle Seal	<b>These Parts Are Located Inside Bottom Case</b>		
18	24433	Bottom Case Only	—	24583	Right Angle Mounting Bracket
19	24303	Nylon Washer	—	24588	Screw #6 x 3/8"
20	24288	Screw #6 x 3/8"	—	24593	Screw #6-32 x 3/16"
21	23183	Battery Cover			



**NOTE: Order parts by Catalog Number only.  
DO NOT order by Reference Number.**

<b>Ref. No.</b>	<b>Catalog No.</b>	<b>Description</b>
1	24413	Screw #6 x 1/2"
2	24328	Top Antenna Shell
3	24358	O-Ring
4	24318	Antenna Pin Ring
5	24373	Pin
6	24313	Antenna Ball Label
7	24363	Double Sided Tape Roll
8	24378	Top Tube
9	24408	Screw #8 x 1"
10	24403	Screw #8 x 1/2"
11	23663	Outer Pivot Asm
12	23593	Pivot Latch
13	23603	Latch Spring
14	23598	Wire Reel
15	23588	Center Pivot
16	23628	Rear Pivot Cover
17	23613	Seal



**NOTE: Order parts by Catalog Number only.  
DO NOT order by Reference Number.**

Ref. No.	Catalog No.	Description
1	24313	Antenna Ball Label
2	24363	Double Sided Tape Roll
3	24478	Side Antenna Label
4	24413	Screw #6 x 1/2"
5	24343	Gradient Antenna Shell (Outer)
6	23613	Seal
7	24373	Rivet
8	24318	Antenna Pin Ring
9	24358	O-Ring
10	24348	Gradient Antenna Shell (Inner)
11	24353	Top Tube Bracket
12	24308	Bottom Tube
13	24338	Bottom Tube Bracket
14	24333	Tube Lock
15	24328	Top Antenna Shell
16	24403	Screw #8 x 1/2"
17	24323	Bottom Antenna Shell
18	24368	Screw #6 x 3/4"