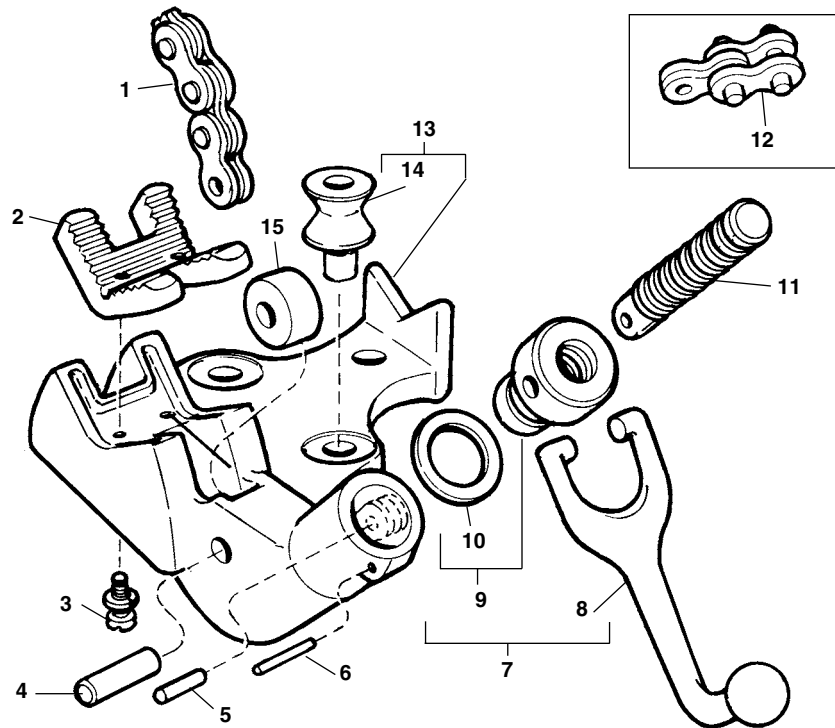


**Nos. BC-210, BC-410, BC-510, BC-610, BC-810,
BC-210-P & BC-410-P**



**NOTE: Order parts by Catalog Number only.
DO NOT order by Reference Number.**

	BC-210/BC-210P 1/8"-2 1/2"	BC-410/BC-410P 1/8"-4"	BC-510 1/8"-5"	BC-610 1/4"-6"	BC-810 1/2"-8"
Ref. No.	Catalog No.	Catalog No.	Catalog No.	Catalog No.	Catalog No.
1 Chain Assembly	41005	41055	41075	41130	41155
2 Jaw	40985	41020	41020	41085	41140
Jaw f/Plastic Pipe	41275	41280	41280	—	—
Jaw f/Coated Pipe	—	40222	40222	—	—
3 Jaw Screw with Washer (2)	92615	32457	32457	41090	41145
4 Roll Pin	41035	41035	41035	41110	41110
5 Chain Screw Pin	41040	41040	41040	41115	41115
6 Nut Locking Pin	31625	31650	31650	31715	31715
7 Handle Assembly	41000	41050	41050	41125	41125
8 Handle	40970	41015	41015	41080	41080
9 Swivel Nut Assembly	41010	41060	41060	41135	41135
10 Friction Ring	40975	41025	41025	41100	41100
11 Chain Screw	40980	41065	41065	41095	41095
12 Chain Link Assembly	68625	68625	68625	68630	68630
13 Base Assembly	40995	41045	41070	41120	41150
14 Spool (2)	40740	40450	40450	40450	40655
15 Roll	40990	40990	40990	41105	41105