

# AIR TORQUE

**AIR TORQUE S.p.A.**  
 via Alla Campagna, N°1  
 24060 Costa di Mezzate (Bg) Italy  
 Tel.: +39 035 682299  
 Fax: +39 035 687791  
 E-mail: info@airtorque.it

Technical Data Sheet n°PT450DM  
 Issued on: 12/04

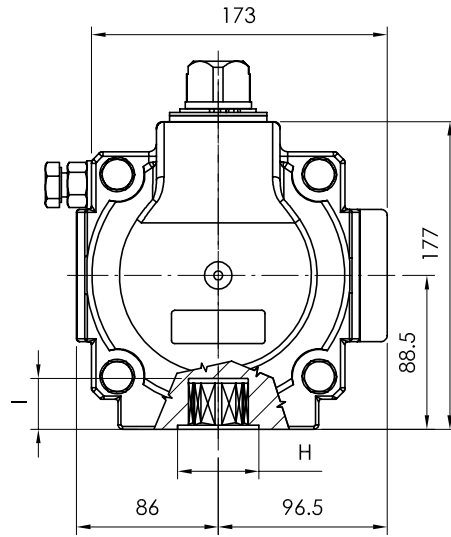
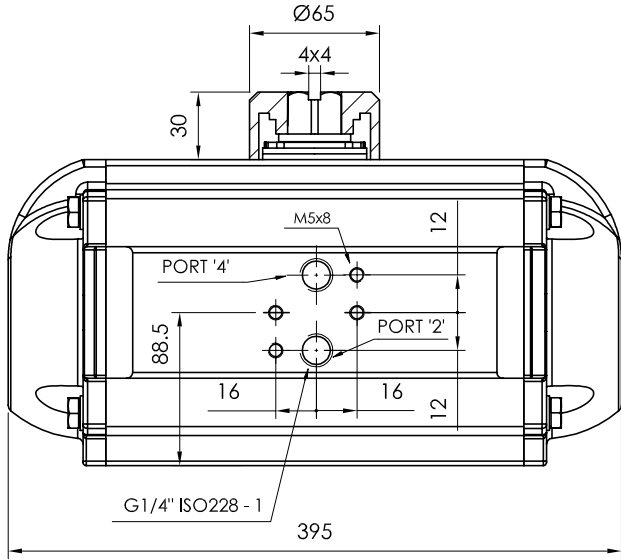
Page: 1/1

**Model PT450**  
**DA and SR - 90°**

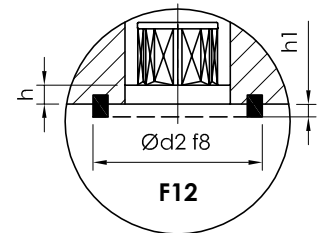
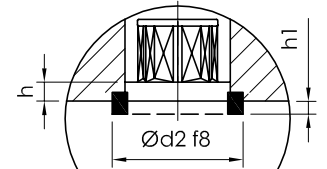
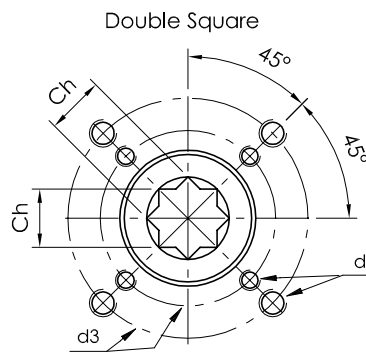
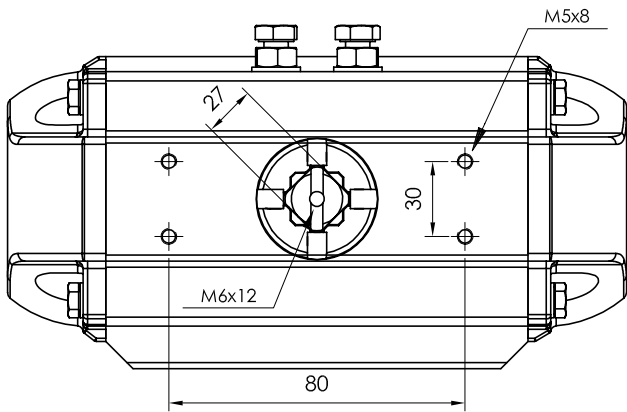
Dimensions in mm

**Available flange:**

- ⇒ F12
- ⇒ F10 + F12



Flange Dimensions		
ISO 5211	F10	F12
d2 f8	70	85
d3	102	125
d4	M10x15	M12x18
H	70	85
Ch	27	22
l min.	29	24
h min.	1,5	1,5
h1	3	2
Pressure connection	<b>B 2</b>	
Ancillary Attachment	<b>AA 2</b>	



Spigot available only on request

TYPE	OUTPUT TORQUE FOR DOUBLE ACTING IN Nm												WEIGHT (Kg)										
	2,5 bar		3 bar		3,5 bar		4 bar		4,2 bar		4,5 bar			5 bar		5,5 bar		6 bar		7 bar		8 bar	
Pressure	0°	90°	0°	90°	0°	90°	0°	90°	0°	90°	0°	90°	0°	90°	0°	90°	0°	90°	0°	90°	0°	90°	15,5
D	217		261		304		348		365		391		435		478		522		609		696		

TYPE	OUTPUT TORQUE FOR SPRING RETURN IN Nm												Spring stroke	WEIGHT (Kg)											
	2,5 bar		3 bar		3,5 bar		4 bar		4,2 bar		4,5 bar				5 bar		5,5 bar		6 bar		7 bar		8 bar		
Pressure	0°	90°	0°	90°	0°	90°	0°	90°	0°	90°	0°	90°	0°	90°	0°	90°	0°	90°	0°	90°	0°	90°	90°	0°	16,8
S 05	135	88,6	179	132	222	176	265	219	283	236	309	262	352	306									129	82,4	
S 06	119	62,8	162	106	206	150	249	193	266	211	293	237	336	280	379	324							155	99	17,1
S 07			146	80,5	189	124	233	167	250	185	276	211	320	254	363	298	406	341					180	115	17,4
S 08					173	98,2	216	142	233	159	260	185	303	229	347	272	390	316	477	403			206	132	17,6
S 09							200	116	217	133	243	159	287	203	330	246	374	290	460	377	547	464	232	148	17,9
S 10											227	134	270	177	314	221	357	264	444	351	531	438	258	165	18,2
S 11													254	151	297	195	341	238	428	325	515	412	283	181	18,4
S 12															281	169	324	213	411	299	498	386	309	198	18,7

Max. Pressure	Rotation	Screw stroke Adjustment	Chamber φ (mm)	Air Volume (L)			Moving Time (Sec.) (A)				Operating Temperature (°C) (B)		
				Opening	Closing	Opening	Closing	Opening	Closing	STD (standard)	HT (high temperature)	LT (low temperature)	
8 bar	90° ±4° at 0° and 90°	For 1° adj. need 1/5 Turn	145	2,41	3,78	D 1,2 S 1,5	D 1,4 S 1,8	NBR "O" ring -20 to +80	FPM "O" ring -15 to +150	Silicone "O" ring -40 to +80			

**Notes:**  
 (A) The above indicated moving time of the actuator, are obtained in the following test conditions:  
 (1) Room Temperature, (2) Actuator Stroke 90°, (3) Solenoid Valve with Orifice Of 4 mm and a flow capacity Qn 400 L/min., (4) Inside pipe diameter 8 mm, (5) Medium clean air, (6) Air supply pressure 5,5 bar (79,75 Psi), (7) Actuator without external resistance load. **Cautions: obviously on the field applications when one or more of the above parameter are different, the moving time will be different.**  
 (B) For HT (high temperature) and LT (low temperature) services, a special Lubricant is requested. Please contact Air Torque factory.

**Operating Medium:**  
 The operating medium must be free of dust and oil. The maximum particle size must not exceed 30µm (ISO 8573 Part1, Class5). In order to prevent water condensation and/or solidification (ice, when actuator work below 0°C), the operating medium must have a dew point equal to -20°C or, at least 10°C below the ambient temperature (ISO 8573 Part1, Class3).

This data sheet is property of AIR TORQUE S.p.A. Costa di Mezzate - Italy and all rights of use and reproduction are reserved.  
 This data sheet is general in nature and manufacturer reserves the right to alter materials or to make other improvements from time to time