

GATE IB645 BRONZE

125 lb. SWP-200 lb. WOG† • General Service
Solid Wedge Disc • Non-Rising Stem
Threaded Bonnet • Gland Packed • Threaded Ends

4" size has split wedge and bolted bonnet. It is not covered in MSS SP-80.

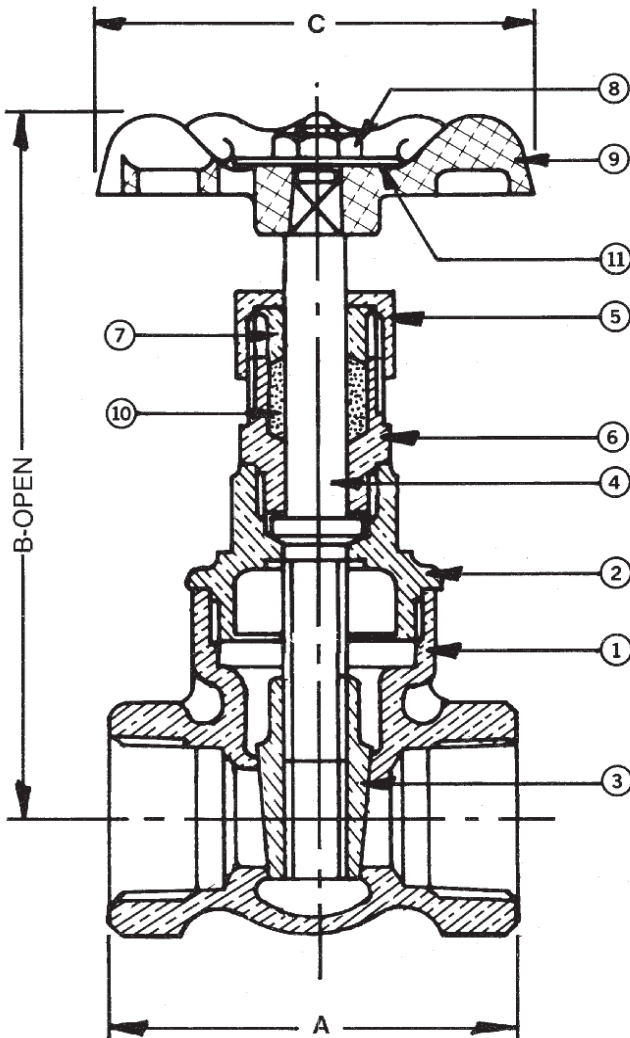
SPECIFICATIONS

| | |
|-------|--|
| IB645 | Conforms to: MSS SP-80. Type 1, Class 125, Threaded Ends. |
|-------|--|

MATERIAL LIST

| NO. | PART | MATERIAL | SPECIFICATION |
|----------------|------------|--------------|-------------------|
| 1 | Body | Bronze | ASTM B 62 |
| 2 | Bonnet | Bronze | ASTM B 62 |
| 3 | Wedge | Bronze | ASTM B 62 |
| 4 | Stem | Bronze | ASTM B 62 |
| 5 | Stuff Nut | Brass | ASTM B 283 C37700 |
| 6 | Check Nut | Brass | ASTM B 283 C37700 |
| 7 ¹ | Gland | Brass | ASTM B 124 C37700 |
| 8 | Wheel Nut | Brass | Commercial |
| 9 | Handwheel | Mall. Iron | Commercial |
| 10 | Packing | Non-Asbestos | |
| 11 | Name Plate | Sh. Alum. | Commercial |

¹ Not used on 1/2" and smaller.



DIMENSIONS - INCHES / MILLIMETERS

| Units | Size | A | B | C | C _v |
|--------|--------|--------|--------|--------|----------------|
| Inches | 1/4 | 1.75 | 3.63 | 2.00 | 5.6 |
| mm | 6.35 | 44.45 | 92.08 | 50.80 | |
| Inches | 3/8 | 1.81 | 3.63 | 2.00 | 10.7 |
| mm | 9.53 | 46.05 | 92.08 | 50.80 | |
| Inches | 1/2 | 2.00 | 3.63 | 2.00 | 1.8 |
| mm | 12.70 | 50.80 | 92.08 | 50.80 | |
| Inches | 3/4 | 2.13 | 4.38 | 2.50 | 32.0 |
| mm | 19.05 | 53.98 | 111.13 | 63.50 | |
| Inches | 1 | 2.56 | 5.00 | 2.75 | 54.0 |
| mm | 25.40 | 65.10 | 127.00 | 69.85 | |
| Inches | 1 1/4 | 2.78 | 5.31 | 3.13 | 97.0 |
| mm | 31.75 | 70.64 | 134.95 | 79.38 | |
| Inches | 1 1/2 | 2.81 | 6.34 | 3.50 | 135.0 |
| mm | 38.10 | 71.45 | 161.13 | 88.90 | |
| Inches | 2 | 3.31 | 7.44 | 3.75 | 230.0 |
| mm | 50.80 | 84.15 | 188.93 | 95.25 | |
| Inches | 2 1/2 | 4.19 | 9.13 | 4.75 | 337.0 |
| mm | 63.50 | 106.38 | 231.78 | 120.65 | |
| Inches | 3 | 4.63 | 10.47 | 5.25 | 536.0 |
| mm | 76.20 | 117.48 | 265.91 | 133.35 | |
| Inches | 4 | 5.50 | 15.50 | 5.25 | 960.0 |
| mm | 101.60 | 139.70 | 393.70 | 133.35 | |

† Non-Shock

Rev. 3

BETTER AT EVERY TURN

The information presented on this sheet is correct at the time of publication. Hammond Valve reserves the right to change design, and/or material specifications without notice. For the Installation, Operation and Maintenance Manual (IOM) see the engineering section on our website. For the most current information access www.hammondvalve.com Hammond Valve is a registered trade mark of Milwaukee Valve Company.



HAMMONDVALVE
www.hammondvalve.com