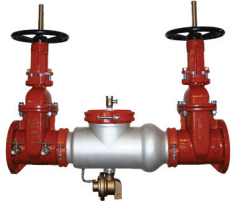


# SPECIFICATION SUBMITTAL SHEET



### FEATURES

Sizes:  2 1/2"  3"  4"  6"  8"  10"  
 Maximum working water pressure 175 PSI  
 Maximum working water temperature 140°F  
 Hydrostatic test pressure 350 PSI  
 End connections (Grooved for steel pipe) AWWA C606  
 (Flanged) ANSI B16.1  
 Class 125

### OPTIONS (Suffixes can be combined)

- with flanged end NRS gate valves (standard)
- FSC - with epoxy coated wye type strainer (flanged only)
- G - with grooved end NRS gate valves
- GF - with grooved inlet gate connection and flanged outlet gate connection
- FG - with flanged inlet gate connection and grooved outlet gate connection
- MS - with Integral Relief Valve Monitor Switch
- OSY - with flanged end OS&Y gate valves
- OSYG - with grooved end OS&Y gate valves
- BGVIC - with grooved end butterfly valves with integral supervisory switches

### ACCESSORIES

- Repair kit (rubber only)
- Thermal expansion tank (Model XT)
- OS & Y Gate valve tamper switch (OSY-40)
- Air gap (Model AG)
- Electronic Solenoid Timer (Model EST)
- QT-SET Quick Test Fitting Set
- Test Cock Lock (Model TCL24)

### DIMENSIONS & WEIGHTS (do not include pkg.)

MODEL 375AST SIZE	WEIGHT											
	WITHOUT GATES		WITH NRS GATES (GXF)		WITH OS&Y GATES (GXF)		WITH NRS GATES (GXG)		WITH OS&Y GATES (GXG)		WITH BUTTERFLY VALVES (GXG)	
in. mm	lbs. kg	lbs. kg	lbs. kg	lbs. kg	lbs. kg	lbs. kg	lbs. kg	lbs. kg	lbs. kg	lbs. kg	lbs. kg	
2 1/2 65	41 19	102 46	120 54	92 42	110 50	64 29						
3 80	42 19	119 54	137 62	107 49	125 57	67 30						
4 100	43 20	176 80	212 96	156 71	192 87	79 36						
6 150	71 32	288 130	346 157	258 117	316 143	136 62						
8 200	177 80	579 263	661 300	539 244	607 275	308 140						
10 250	177 80	784 356	880 399	732 332	822 373	414 188						

### APPLICATION

Designed for installation on potable water lines to protect against both backsiphonage and backpressure of contaminated water into the potable water supply. The Model 375AST provides protection where a potential health hazard exists. Ideal for use where lead-free\* valves are required.

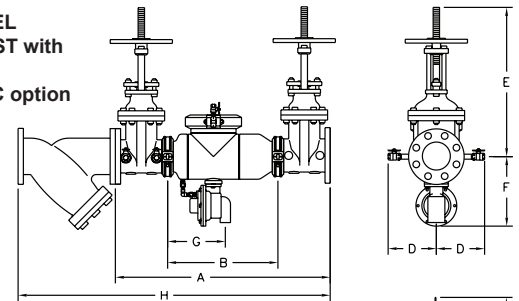
### STANDARDS COMPLIANCE

- ASSE® Listed 1013
  - AWWA Compliant C511 (2-1/2" to 6")
  - FM® Approved
  - UL® Classified
  - C-UL® Classified
  - CSA® Certified (2-1/2" to 6")
  - NSF® Listed-Standard 61, Annex G\*
- \*(0.25% MAX. WEIGHTED AVERAGE LEAD CONTENT)

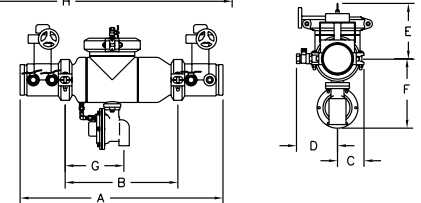
### MATERIALS

Main valve body 304L Stainless steel  
 Access covers 304L Stainless steel  
 Coatings FDA Approved electrostatic epoxy finish  
 Internals Stainless steel, 300 Series  
 NORLYL™, NSF Listed  
 Fasteners & Springs Stainless Steel, 300 Series  
 Seal rings EPDM (FDA approved)  
 O-rings Buna Nitrile (FDA approved)  
 Sensing line Stainless Steel, braided hose

MODEL 375AST with OSY & FSC option



MODEL 375AST with BGVIC option

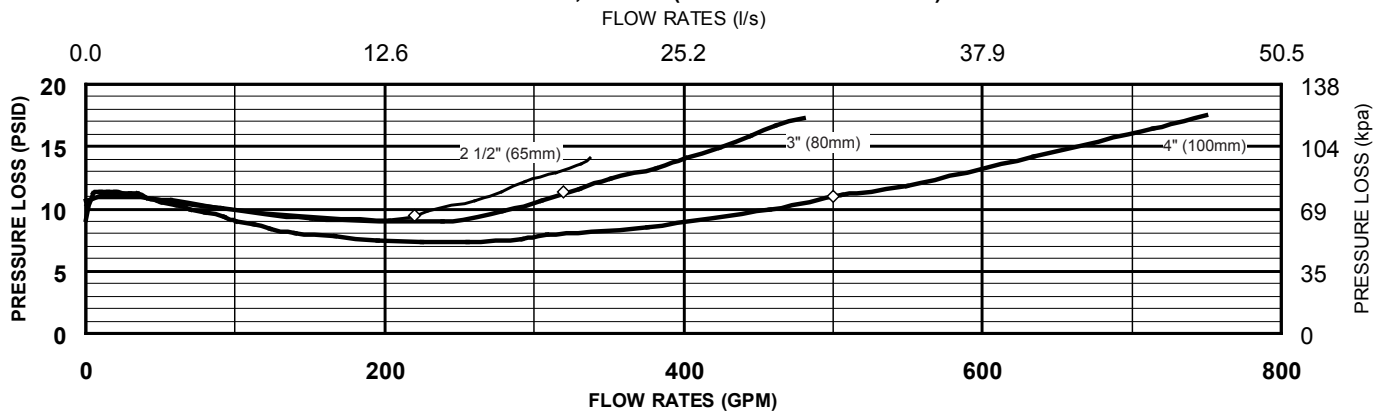


Relief Valve discharge port:  
 2 1/2" - 6" - 2.75 sq. in.  
 8" - 10" - 3.69 sq. in.

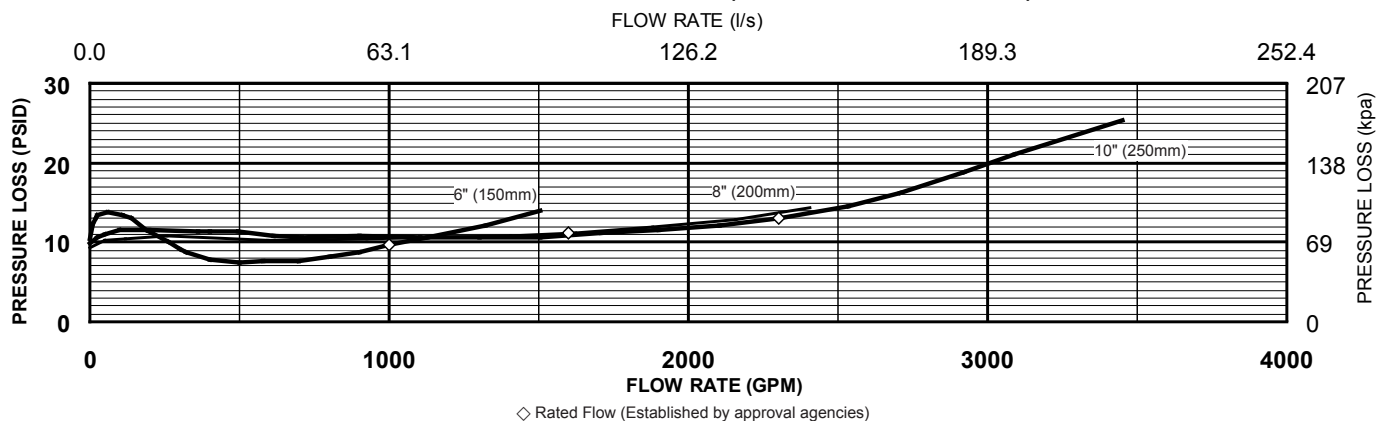
MODEL 375AST SIZE	DIMENSION (approximate)																								
	A		A WITH BUTTERFLY VALVES		B LESS GATE VALVES		C		D		E NRS GATE		E OS&Y OPEN		E OS&Y CLOSED		E WITH BUTTERFLY VALVES		F		G		H		
	in.	mm	in.	mm	in.	mm	in.	mm	in.	mm	in.	mm	in.	mm	in.	mm	in.	mm	in.	mm	in.	mm	in.	mm	
2 1/2	65	31 7/8	810	28 3/4	730	16 5/8	422	4 1/2	114	7 1/4	184	11 1/2	292	17 3/4	451	15 3/8	391	8	203	9 3/4	248	8 5/8	219	42	1067
3	80	32 7/8	835	29 3/8	746	16 5/8	422	4 1/2	114	7 1/4	184	12 3/4	324	20 1/4	514	17	432	8	203	9 3/4	248	8 5/8	219	43 1/2	1105
4	100	34 7/8	886	30 1/4	768	16 5/8	422	4 1/2	114	8	203	14 1/2	368	22 1/2	572	18 1/4	464	9 1/8	232	9 3/4	248	8 5/8	219	50	1270
6	150	43 1/2	1105	36 1/2	927	22 1/4	565	5 1/2	140	10	254	18	457	30 1/2	775	24 1/4	616	10 1/8	257	10 3/4	273	11 1/4	286	61 5/8	1565
8	200	52 3/4	1340	45 3/4	1162	29 1/2	749	9 1/4	235	11	279	21 1/8	537	37	940	28 1/2	724	18 1/2	470	15 5/8	397	13 1/4	337	77 1/8	1959
10	250	55 3/4	1416	49 3/4	1264	29 1/2	749	9 1/4	235	12	305	24 3/4	629	45 5/8	1159	34 3/4	883	18 1/2	470	15 5/8	397	13 1/2	343	85 3/8	2169

## FLOW CHARACTERISTICS

### MODEL 375AST 2 1/2", 3" & 4" (STANDARD & METRIC)



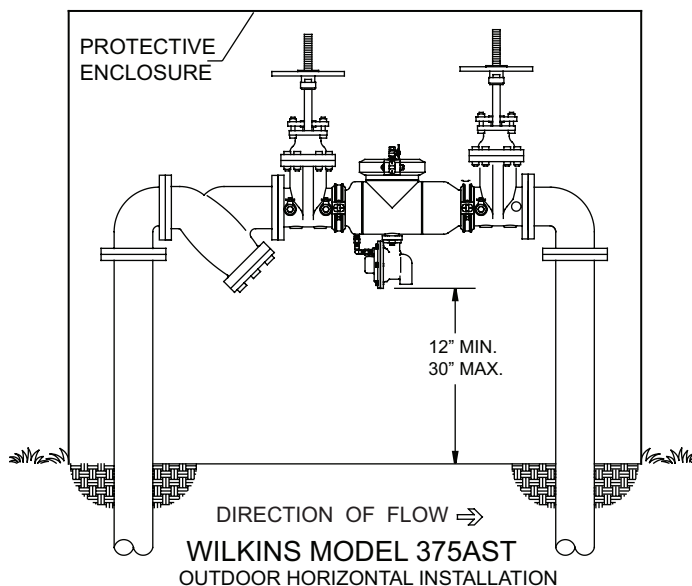
### MODEL 375AST 6", 8" & 10" (STANDARD AND METRIC)



### TYPICAL INSTALLATION

Local codes shall govern installation requirements. Unless otherwise specified, the assembly shall be mounted at a minimum of 12" (305mm) and a maximum of 30" (762mm) above adequate drains with sufficient side clearance for testing and maintenance. The installation shall be made so that no part of the unit can be submerged.

Capacity thru Schedule 40 Pipe (GPM)				
Pipe size	5 ft/sec	7.5 ft/sec	10 ft/sec	15 ft/sec
2 1/2"	75	112	149	224
3"	115	173	230	346
4"	198	298	397	595
6"	450	675	900	1351
8"	780	1169	1559	2339
10"	1229	1843	2458	3687
12"	1763	2644	3525	5288



### SPECIFICATIONS

The Reduced Pressure Principle Backflow Prevention Assembly shall be ASSE® Listed 1013, and supplied with full port gate valves. The main body and access cover shall be 304L Stainless Steel, the seat ring and check valve shall be NORYL™, the stem shall be stainless steel (ASTM A 276) and the seat disc elastomers shall be EPDM. The checks and the relief valve shall be accessible for maintenance without removing the device from the line. The Reduced Pressure Principle Backflow Prevention Assembly shall be a WILKINS Model 375AST.