

DESCRIPTION

- Handheld shower (non-metallic), available in a chrome plated, chrome w/LifeShine® polished brass, LifeShine® pol. brass, brushed nickel or wrought iron finish
- 69" double interlock spiral hose (metal)
- Vacuum breaker

OPERATION

- Single function

FLOW

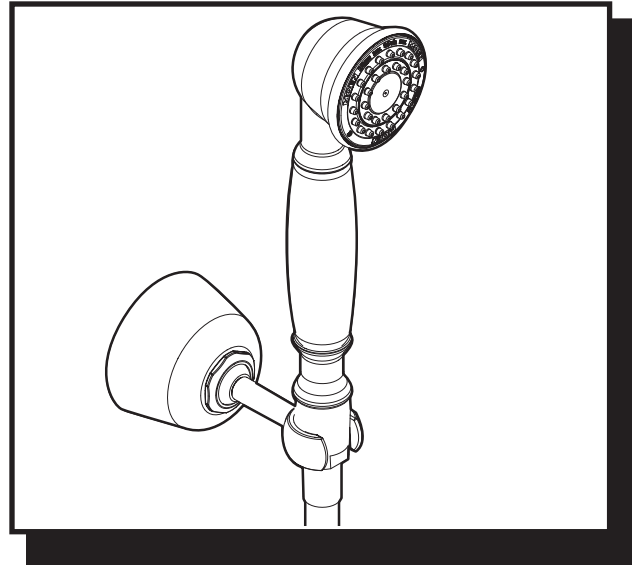
- Designed to deliver 2.5 gpm (9.5 L/min) at 60 psi

STANDARDS

- Designed and manufactured to comply with the applicable requirements of: CSA B-125 and ASME A112.18.1M and ASSE 1014 and all applicable specifications referenced therein

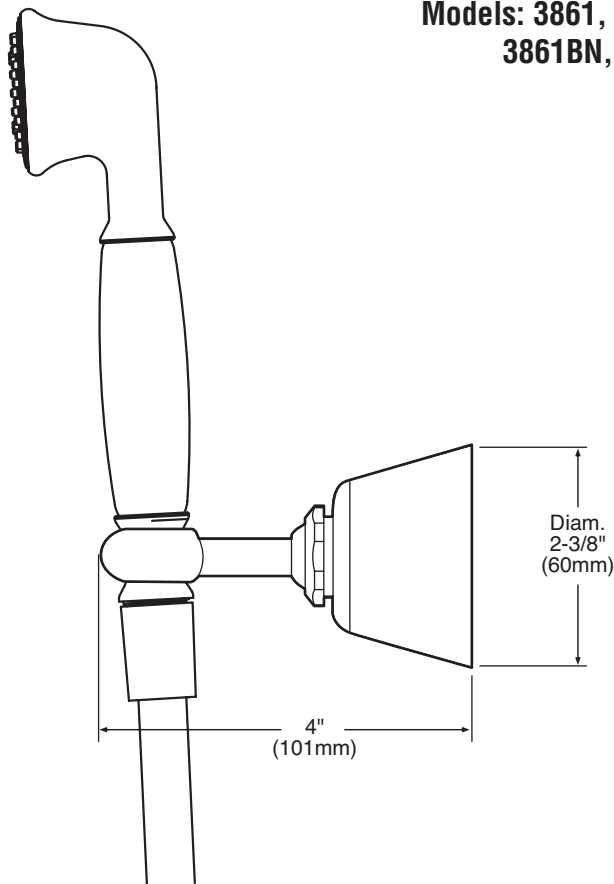
WARRANTY

- Warranted for one year against material or manufacturing defects



KINGSLEY™ Handshower w/Bracket & Hose

**Models: 3861, 3861CP, 3861P,
3861BN, 3861WR**



CRITICAL DIMENSIONS

(DO NOT SCALE)