

**For Residential and Point of Use Applications**

Job Name \_\_\_\_\_  
 Job Location \_\_\_\_\_  
 Engineer \_\_\_\_\_  
 Approval \_\_\_\_\_

Contractor \_\_\_\_\_  
 Approval \_\_\_\_\_  
 Contractor's P.O. No. \_\_\_\_\_  
 Representative \_\_\_\_\_

# Series 123LP

## Water Pressure Reducing Valves

**Size: 1/2" – 3/4" (15 – 20mm)**

Series 123LP Water Pressure Reducing Valves are designed to reduce incoming water pressure to a sensible level to protect plumbing system components and reduce water consumption. This series is suitable for water supply pressures up to 200psi (13.8 bar) and may be adjusted from 10 – 30psi (69 – 207 kPa). The standard setting is 30psi (207 kPa). All parts are quickly and easily serviceable without removing the valve from the line.

### Features

- High performance
- High flow capacity
- Integral stainless steel valve seat
- Integral stainless steel strainer
- Bronze body construction
- Serviceable in-line

### Specifications

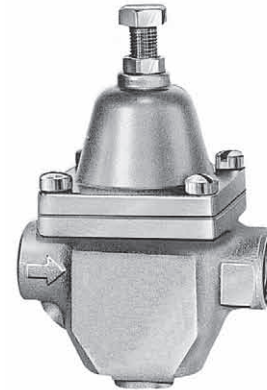
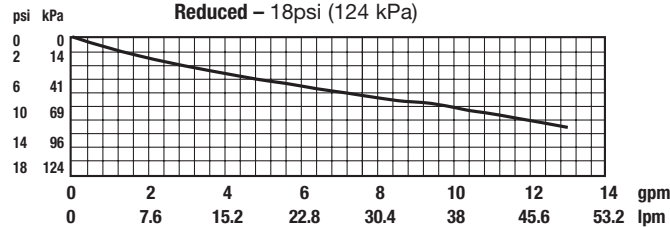
A Water Pressure Reducing Valve and strainer shall be installed to reduce pressures of 35psi (241 kPa) or less. The valve shall have a stainless steel seat with EPDM seat disc and diaphragm. Valve shall be a Watts Regulator Company Series 123LP.

### Materials

Body: Bronze  
 Seat: Stainless steel  
 Integral Strainer: Stainless steel  
 Diaphragm: Reinforced EPDM  
 Valve Disc: EPDM

### Capacity

**Inlet – 83psi (572 kPa)**  
**Reduced – 18psi (124 kPa)**

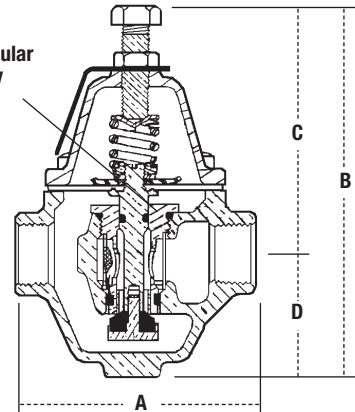


### Pressure – Temperature

Temperature Range: 33°F – 180°F (0.5°C – 82°C)  
 Maximum Working Pressure: 200psi (13.8 bar)  
 Adjustable Reduced Pressure Range: 10 – 30psi (69 – 207 kPa)  
 Standard Reduced Pressure Setting: 30psi (207 kPa)

### Dimensions – Weights

Valve Features a Modular Seat & Disc Assembly



SIZE (DN)		DIMENSIONS				WEIGHT	
in.	mm	A	B	C	D	lbs.	kgs.
1/2	15	3 1/16 78	5 127	3 3/8 86	1 5/8 41	1.6	.73
3/4	20	3 1/16 78	5 127	3 3/8 86	1 5/8 41	1.6	.73

Watts product specifications in U.S. customary units and metric are approximate and are provided for reference only. For precise measurements, please contact Watts Technical Service. Watts reserves the right to change or modify product design, construction, specifications, or materials without prior notice and without incurring any obligation to make such changes and modifications on Watts products previously or subsequently sold.



**USA:** 815 Chestnut St., No. Andover, MA 01845-6098; www.watts.com  
**Canada:** 5435 North Service Rd., Burlington, ONT. L7L 5H7; www.wattscanada.ca

