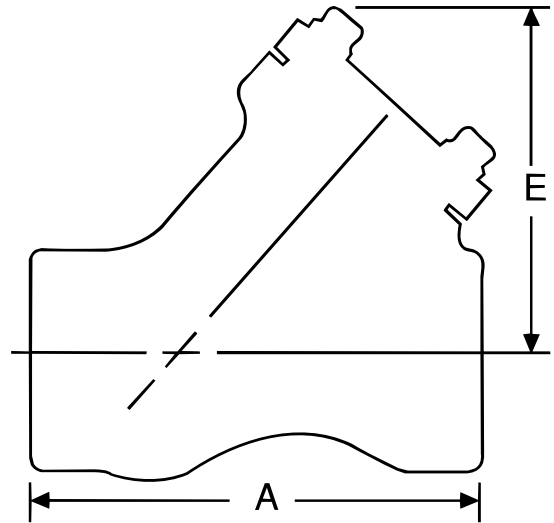
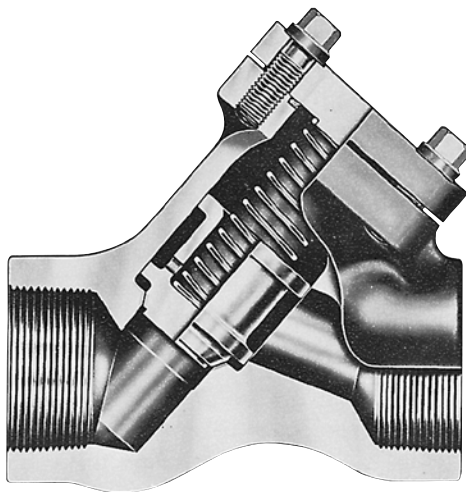


Piston Check Valves, Class 800, 2000 PSI @ 100°F (137.9 BAR @ 38°C)



838

Standard Features

- Bodies and covers are of forged steel (A105 or F11).
- Bolted cover.
- Y-Pattern.
- Body-guided hardened stainless steel disk.
- Integral Stellite seat.
- Asbestos-free spiral wound cover gasket.
- Stainless steel spring. (Optional without springs, see Technical Information section, 1.3 Check and Stop-Check Valve Installation Guidelines.)

Pressure Class 800 (PN 130)

Fig. No.	Type	Ends	NPS (DN)
838	Y-Pattern	Threaded	¼ (8) thru 2 (50)
838Y	Y-Pattern	Socket Welding	

Dimensions – Globe

Black numerals are in inches and pounds
Colored numerals are in millimeters and kilograms

Figure No. 838/838Y	NPS	¼	3/8	½	¾	1	1¼	1½	2
	DN	8	10	15	20	25	32	40	50
A - End to End		3	3	3	3.6	4.3	5.8	5.8	6.5
		76	76	76	91	109	147	147	165
E - Center to Top		2.8	2.8	2.8	3.3	3.8	4.6	4.6	5.1
		71	71	71	84	97	117	117	130
Weight		2	2	2	3.5	5	11	10	14
		.9	.9	.9	1.6	2.3	5	4.5	6.3