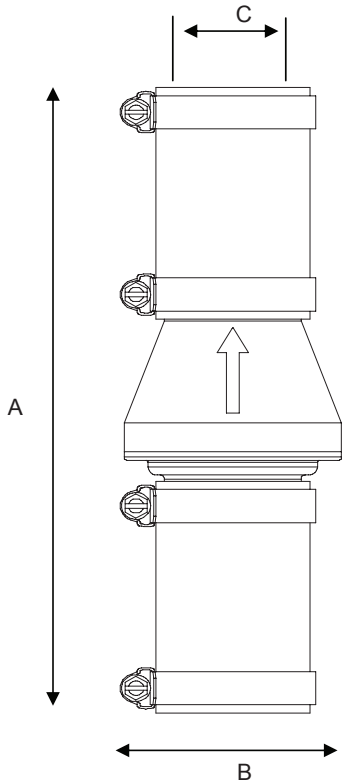




# SUMP & SEWAGE CHECK VALVES

## SUMP & SEWAGE



~ DIMENSIONS ~				
MODEL	SIZE	A	B	C
2063	1 1/4"	7 1/4"	2 5/8"	1 5/8"
2063	1 1/2"	9 3/16"	2 5/8"	1 7/8"
2063	1 1/2"	9"	3"	1 7/8"
2063	2"	9 1/2"	3 5/8"	2 3/8"
2069	1 1/4"	10 1/4"	3"	1 5/8"
2069	1 1/2"	11 3/8"	3"	1 7/8"
2069	2"	12 3/8"	3 5/8"	2 3/8"
2065	1 1/2"	6"	3 1/4"	1 15/16"
2065S	1 1/2"	8 3/8"	3 1/4"	1 15/16"
2066	1 1/2"	11"	4 1/2"	1 15/16"
2066S	1 1/2"	13 3/8"	4 1/2"	1 15/16"
2065	2"	6 5/8"	4"	2 3/8"
2065S	2"	9 5/8"	4"	2 3/8"
2066	2"	12 1/2"	5 1/2"	2 3/8"
2066S	2"	15 3/8"	5 1/2"	2 3/8"
2067	2"	6 5/8"	4"	2 3/8"
2067S	2"	9 1/2"	4"	2 3/8"
2068	2"	13"	5 1/2"	2 3/8"
2068S	2"	16"	5 1/2"	2 3/8"
2065LU	1 1/2"	4 3/4"	3"	1 15/16"
2065LU	2"	5 1/2"	3 5/8"	2 3/8"
2065SLU	1 1/2"	7 1/4"	3"	1 15/16"
2065SLU	2"	8 3/8"	3 5/8"	2 3/8"

**Static Head:** Min 2ft. / Max 10 ft. static head over check valve  
**Cracking Pressure:** 0 PSI  
**Pressure Test:** Factory tested to 20 PSI  
**Maximum Temperature:** Not Rated  
**Application:** Vertical or Horizontal  
**Clamps:** 301 Stainless Steel (Tridon)  
**Pressure Tests:** Yes, all valves tested for leaks

**Rubber Hose Coupling:** Valves are designed to fit on standard sump pump line connections. Easy to install over 1 1/2" or 1 1/4" PVC pipe (schedule 40 & 80), steel pipe, or copper tubing. One piece housing construction, no gasket to fail or leak. Housing is made of high grade ABS plastic, clamps are 301 stainless steel, and hoses are SBR rubber. Valve body will glue up to standard PVC pipe & fittings for installation options. Non-metallic and cannot corrode. Color is red/black.

**True Union:** Solvent weld "true union" style available in 1 1/2" and 2" for PVC pipe only. (Schedule 40 & 80) EPDM O-ring seal design for excellent sealing performance. Excellent for heavy duty ejector pump applications. Non-metallic and cannot corrode.

**Compression Swing:** Slips over outer diameter of PVC pipe (schedule 40 & 80) for easy installation, no gluing required. Available in 2" sizes only. Non-metallic and cannot corrode.

