

120WC CAST IRON SWING CHECK VALVE



SIZE RANGE 3" - 12"

- ❖ Iron Body
- ❖ Bronze Seat & Resilient Disc
- ❖ Bolted Cover
- ❖ Full Waterway
- ❖ Class 125
- ❖ Suitable for Vertical and Horizontal Installation
- ❖ Fusion Bonded Epoxy Coating Inside & Outside
- ❖ Outside Lever & Weight or Optional Spring Kit

175 PSI NON-SHOCK CWP

Applications: Wastewater & Sewage, Irrigation, Potable Water, Turf, Golf Course, Water Distribution

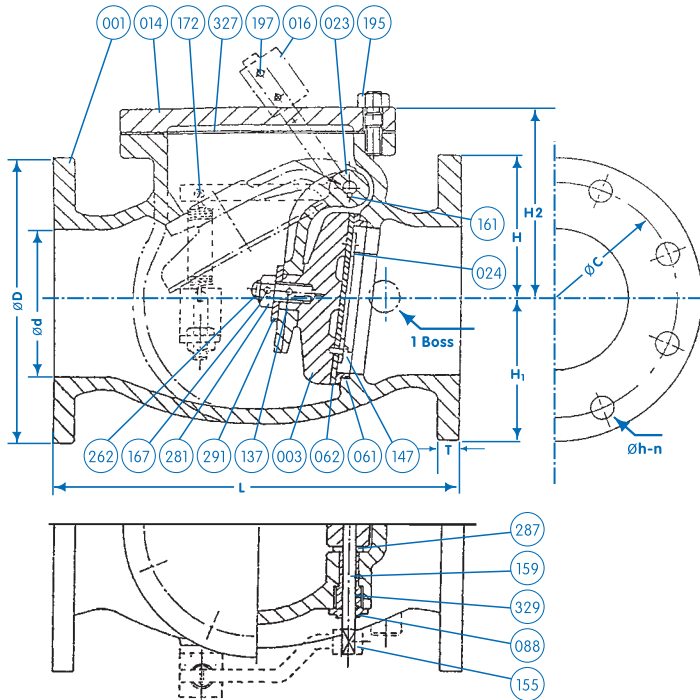
Conforms to AWWA C508

End Flanges conform to ANSI B16.1, Class 125

ISO 9002



Product Spec Sheet



[Click Here For Enlarged Drawing](#)

MATERIAL SPECIFICATIONS

NO.	PART	MATERIAL	ASTM DESIGNATION
001	Body	Cast Iron	A 126 CL B
003	Disc	Cast Iron	A 126 CL B
014	Cover	Cast Iron	A 126 CL B
016	Weight	Cast Iron	A 126 CL B
023	Arm (A)	Cast Iron	A 126 CL B
024	Seat Holder	Cast Iron - Plated	A 126 CL B
061	Body Seat Ring	Bronze	B 62
062	Disc Seat Ring	Rubber (Buna-N)	D 2000 AA 7008
088	Seat Nut	Brass	B 36
137	Knock Pin	Brass	B36
147	Disc Seat Bolt	Stainless Steel	A 276 Type 304
155	Arm (B)	Zinc Coated Steel	A 307 GR B
159	Hinge Pin	Stainless Steel	A 276 Type 304
161	Key	Stainless Steel	A 276 Type 304
167	Roll Pin	Zinc Coated Steel	A 307 GR B
172	Spring Kit	Zinc Coated Steel	Commercial
195	Cover Stud & Nut	Zinc Coated Steel	A 307 GR B
197	Weight Bolt & Nut	Zinc Coated Steel	A 307 GR B
262	Disc Stud	Brass	B 36
281	Disc Nut	Brass	B 36
287	Spacer	Brass	B 36
291	Washer	Brass	B 36
327	Gasket	Rubber (Buna-N)	D 2000 AA 7008
329	O-Ring	Rubber (Buna-N)	D 2000 AA 7008

DIMENSIONS & WEIGHTS

SIZE Ød (in.)	L	ØD	ØC	Øh	n	T	H	H1	H2	ØS	WT. LBS.
3"	9.5	7.5	6.00	.75	4	.75	6.13	3.75	10.75	.38	51
4"	11.5	9.0	7.50	.75	8	.94	6.69	4.50	11.75	.50	81
6"	14.0	11.0	9.50	.88	8	1.00	8.25	5.50	14.63	.75	140
8"	19.5	13.5	11.75	.88	8	1.13	10.25	6.75	17.75	.88	266
10"	24.5	16.0	14.25	1.00	12	1.19	11.63	8.00	20.88	1.00	425
12"	27.5	19.0	17.00	1.00	12	1.25	13.81	9.50	24.94	1.13	583



Brewster, NY
TEL: 800-431-2082
FAX: 800-640-2252

Houston, TX
TEL: 800-935-5456
FAX: 800-683-4247

La Palma, CA
TEL: 866-532-8306
FAX: 866-532-8307

Americus, GA
TEL: 800-433-7526
FAX: 800-533-5134

e-mail: mail@matco-norca.com

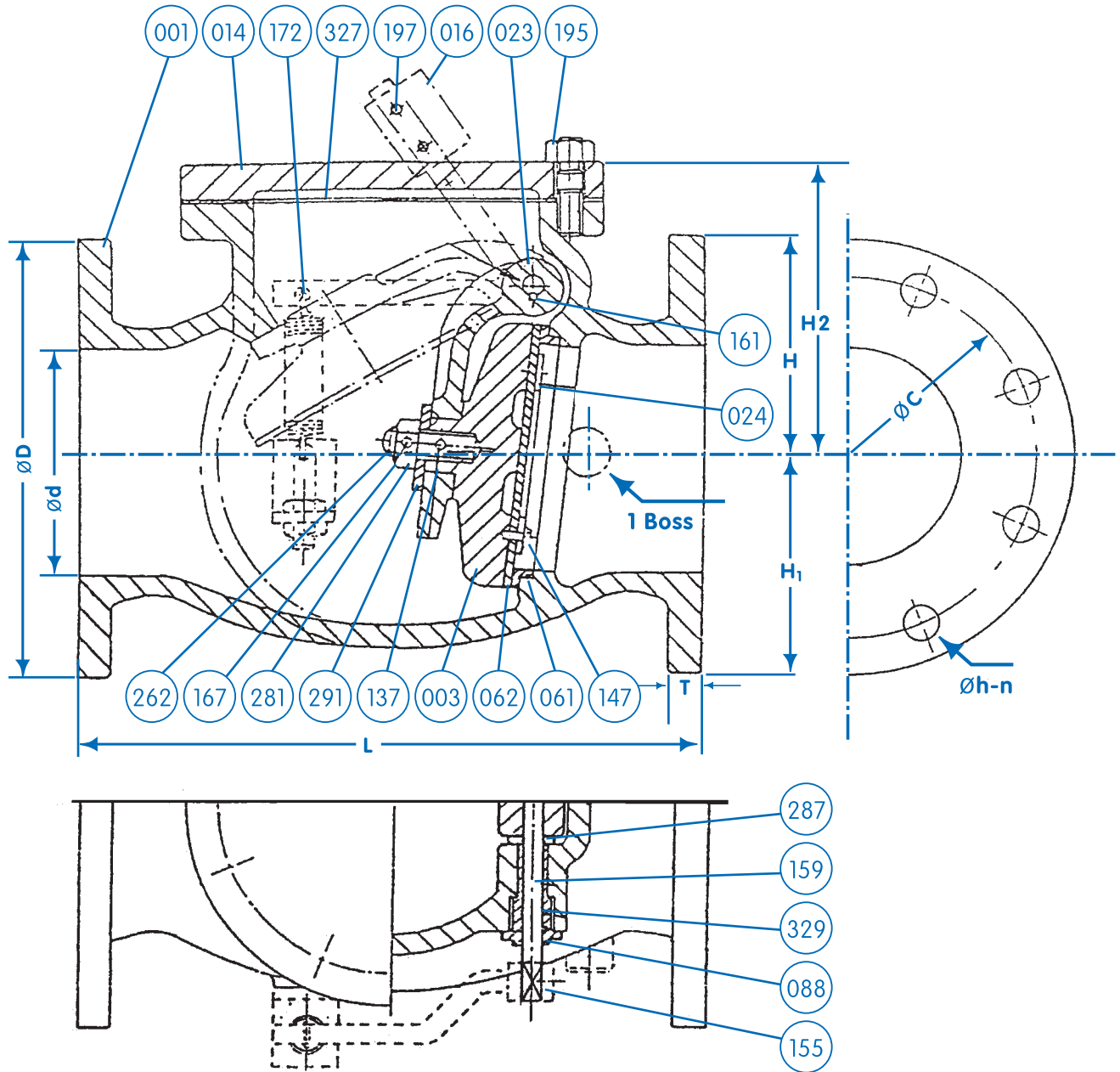
www.matco-norca.com

120WC CAST IRON SWING CHECK VALVE



Product Spec Sheet

SIZE RANGE 3" - 12"



[Return To Page 1](#)
(Click Here)



Brewster, NY
TEL: 800-431-2082
FAX: 800-640-2252

Houston, TX
TEL: 800-935-5456
FAX: 800-683-4247

La Palma, CA
TEL: 866-532-8306
FAX: 866-532-8307

Americus, GA
TEL: 800-433-7526
FAX: 800-533-5134

e-mail: mail@matco-norca.com

www.matco-norca.com