

**LOW LEAD COMPLIANT 2 PC 600 WOG
 GAS APPROVED BALL VALVE**

Features:

- 600 WOG
- Full Port
- NSF 61 Annex G Certified (Truesdail) (Annex G references NSF 372)
- CSA Approved
- Meets MSS SP-110 Standards
- Blow-out Proof Stem
- Adjustable Packing
- Threaded NPT Ends Per ANSI B 1.20.1
- Optional Lock Lever Kit
- Optional Stem Extension Kit
- Optional Tee Handle Kit
- Optional Oval Handle Kit
- Optional Memory Stop Kit

NOT RECOMMENDED FOR BURIED SERVICE

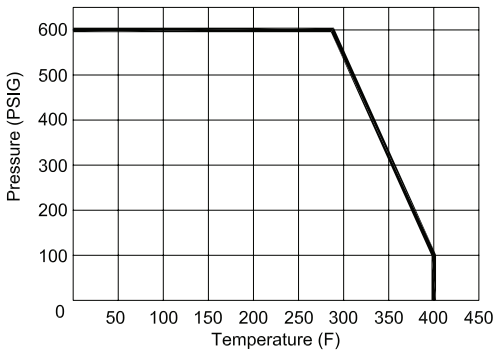


Figure Number Matrix

FNW X410C Size			
		SIZE CODE	
1/4 = B	3/4 = F	1-1/2 = J	3 = M
3/8 = C	1 = G	2 = K	4 = P
1/2 = D	1-1/4 = H	2-1/2 = L	

Kit Codes (Order Separately)

FNW 410A Kit Size	
KIT TYPE	SIZE CODE
Replacement Handle = BRYLWH	1/2" = BD
Locking Lever = LHK	3/4" ~ 1" = FG
Stem Extension = SE	1-1/4" ~ 1-1/2" = HJ
Tee Handle* = THK	* 2" = KP
Oval Handle* = OHK	
Memory Stop = MSK	

* NOTE: Due to the higher torque requirements of larger valves, use of Tee and Oval handles on valves larger than 1-1/2" can be difficult to operate.

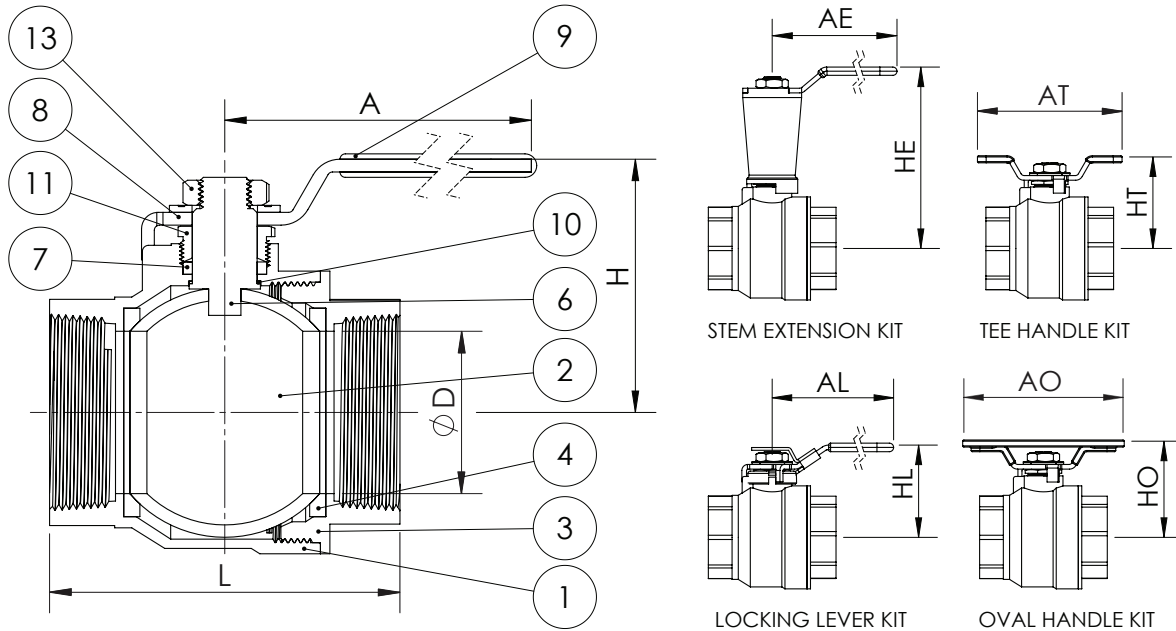
Low Lead Compliant: Referring to laws defining "Lead Free" as wetted surface of pipe, fittings and fixtures in potable water systems that have a weighted average lead content ≤ 0.25% per the Safe Drinking Water Act (Sec. 1417) amended 1-4-2011 as well as other state regulations.



Gas Approvals

- CSA Class 3371-08, ANSI Z21.15/CSA9.1, 1/2 PSIG, -40°F - 125°F
- CSA Class 3371-10, CGA 3.16, 125 PSIG, -40°F - 149°F
- CSA Class 3371-12, CGA CR91-002, 2-5 PSIG, -40°F - 125°F
- CSA Class 3371-88, ANSI Z21.15/CSA9.1, 1/2 PSIG, -40°F - 125°F
- CSA Class 3371-92, ASME B16.44, 5 PSIG, -40°F - 125°F
- CSA Class 3371-94, ASME B16.33, 125 PSIG, -20°F - 150°F

LOW LEAD COMPLIANT 2 PC 600 WOG GAS APPROVED BALL VALVE



Dimensions (inches) & Weights

SIZE	ØD	A	L	H	Wt. (Lbs)
1/4	0.35	3.10	1.69	1.35	0.28
3/8	0.39	3.10	1.80	1.40	0.30
1/2	0.50	3.10	2.12	1.50	0.40
3/4	0.75	4.32	2.45	1.85	0.74
1	0.98	4.32	2.98	2.01	1.03
1-1/4	1.26	5.11	3.35	2.32	1.61
1-1/2	1.50	5.11	3.60	2.55	2.11
2	1.97	7.80	4.23	3.07	3.83
2-1/2	2.48	7.80	5.15	3.48	6.48
3	2.95	7.80	5.91	3.89	9.18
4	2.95	7.80	6.26	3.92	11.65

Standard Materials

Ref. No.	Description	Material	Qty	Remarks
1	Body	C46400 Lead Free Brass	1	1/2"~1-1/2"
		Modified C46400 LF Brass		2"
2	Ball	C46400 Lead Free Brass (Chrome Plated)	1	1/2"~3/4" Solid 1"~ 2" Shell
3	End Cap	C46400 Lead Free Brass	1	
4	Seat	PTFE	2	
6	Stem	ASTM B16-C36000	1	
7	Stem Packing	PTFE	1	
8	Handle	ASTM A283-D Steel	1	Zinc Plated
9	Handle Sleeve	Vinyl	1	
10	Thrust Washer	PTFE	1	2" only
11	Packing Gland	ASTM B16-C36000	1	
13	Handle Nut	AISI-1010 Steel	1	Zinc Plated

SIZE	AL	HL	AO	HO	AT	HT	AE	HE
1/4	3.06	1.65	2.80	1.44	2.70	1.34	2.95	4.27
3/8	3.06	1.72	2.80	1.46	2.70	1.36	2.95	4.30
1/2	3.06	1.72	2.80	1.52	2.70	1.43	2.95	4.35
3/4	4.32	2.17	3.60	1.91	3.40	1.78	3.95	4.80
1	4.32	2.37	3.60	2.06	3.40	1.93	3.95	4.93
1-1/4	5.09	2.81	4.39	2.32	4.03	2.18	4.92	5.28
1-1/2	5.09	2.98	4.39	2.54	4.03	2.40	4.92	5.45
2	7.75	3.67	5.38	3.14	4.85	3.08	8.00	6.02
2-1/2	7.75	4.13	5.38	3.55	4.85	3.46	8.00	6.41
3	7.75	4.58	5.38	3.91	4.85	3.82	8.00	6.81
4	7.75	4.62	5.38	3.91	4.85	3.90	8.00	6.97

DOC: FNWX410C Ver. 9/2014

© 2014 - FNW. All rights reserved. 22170

The FNW logo is a trademark of Ferguson Enterprises, Inc., PL Sourcing, PO Box 2778, Newport News, VA 23609

The contents of this publication are presented for information purposes only, and while effort has been made to ensure their accuracy, they are not to be construed as warranties or guarantees, expressed or implied, regarding the products or services described herein or their use or applicability. All sales are governed by our terms and conditions, which are available on request. We reserve the right to modify or improve the designs or specifications of our products at any time without notice. Always verify that you have the most recent product specifications or other documentation prior to the installation of these products.