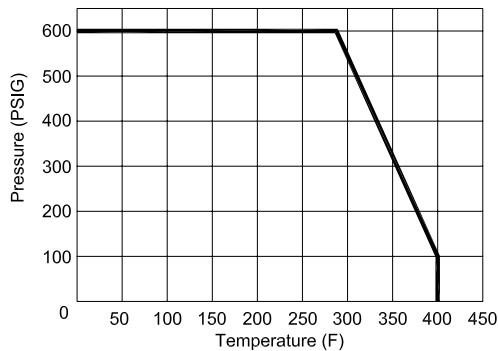


**LOW LEAD COMPLIANT
 2 PC 600 WOG BALL VALVE**

Features:

- 600 WOG
- Full Port
- NSF 61 Annex G Certified (Truesdail) (Annex G references NSF 372)
- Meets MSS SP-110 Standards
- Blow-out Proof Stem
- Adjustable Packing
- Sweat Ends Per ANSI B16.18
- Optional Lock Lever Kit
- Optional Stem Extension Kit
- Optional Tee Handle Kit
- Optional Oval Handle Kit
- Optional Memory Stop Kit

NOT FOR USE AT OR BELOW GROUND LEVEL



Low Lead Compliant: Referring to laws defining "Lead Free" as wetted surface of pipe, fittings and fixtures in potable water systems that have a weighted average lead content ≤ 0.25% per the Safe Drinking Water Act (Sec. 1417) amended 1-4-2011 as well as other state regulations.



NSF 61 ANNEX G



Figure Number Matrix

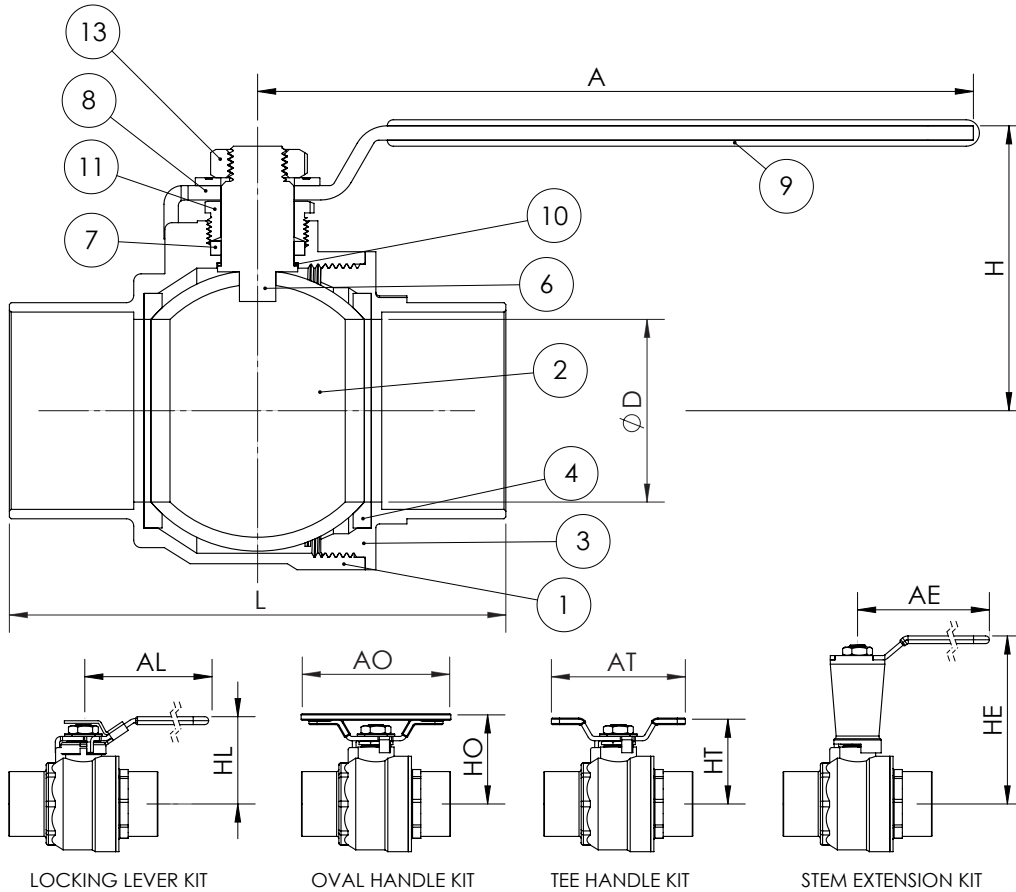
FNW X411C Size	
SIZE CODE	
1/2 = D	
3/4 = F	
1 = G	
1-1/4 = H	
1-1/2 = J	
2 = K	

Kit Codes (Order Separately)

FNW 410A Kit Size	
KIT TYPE	SIZE CODE
Replacement Handle = BRYLWH	1/2" = BD
Locking Lever = LHK	3/4" ~ 1" = FG
Stem Extension = SE	1-1/4" ~ 1-1/2" = HJ
Tee Handle* = THK	* 2" = KP
Oval Handle* = OHK	
Memory Stop = MSK	

* NOTE: Due to the higher torque requirements of larger valves, use of Tee and Oval handles on valves larger than 1-1/2" can be difficult to operate.

LOW LEAD COMPLIANT 2 PC 600 WOG BALL VALVE



Dimensions (inches) & Weights

SIZE	ØD	A	L	H	Wt. (Lbs)
1/2	0.50	3.10	1.91	1.43	0.31
3/4	0.75	4.32	2.69	1.79	0.64
1	0.98	4.32	3.30	2.00	0.90
1-1/4	1.26	5.11	3.77	2.35	1.40
1-1/2	1.50	5.11	4.30	2.48	1.92
2	1.97	7.80	5.39	3.16	3.74

SIZE	AL	HL	AO	HO	AT	HT	AE	HE	Wt. (Lbs)
1/2	3.06	1.64	2.80	1.44	2.70	1.30	2.95	4.28	0.31
3/4	4.32	2.17	3.60	1.71	3.40	1.82	3.95	4.75	0.64
1	4.32	2.35	3.60	2.05	3.40	1.94	3.95	4.90	0.90
1-1/4	5.09	2.78	4.39	2.34	4.03	2.24	4.92	5.24	1.40
1-1/2	5.09	2.96	4.39	2.44	4.03	2.34	4.92	5.40	1.92
2	7.75	3.70	5.38	3.17	4.85	3.03	8.00	6.03	3.74
2-1/2	7.75	4.13	5.38	3.62	4.85	3.50	8.00	6.44	8.03
3	7.75	4.46	5.38	3.95	4.85	3.76	8.00	6.79	8.60

Standard Materials

Ref. No.	Description	Material	Qty	Remarks
1	Body	C46400 Lead Free Brass	1	1/2"~1-1/2" 2"
		Modified C46400 LF Brass		
2	Ball	C46400 Lead Free Brass (Chrome Plated)	1	1/2"~3/4" Solid 1"~ 2" Shell
3	End Cap	C46400 Lead Free Brass	1	
4	Seat	PTFE	2	
6	Stem	ASTM B16-C36000	1	
7	Stem Packing	PTFE	1	
8	Handle	ASTM A283-D Steel	1	Zinc Plated
9	Handle Sleeve	Vinyl	1	
10	Thrust Washer	PTFE	1	2" only
11	Packing Gland	ASTM B16-C36000	1	
13	Handle Nut	AISI-1010 Steel	1	Zinc Plated

DOC: FNWX410C Ver. 5/2014

© 2014 - FNW. All rights reserved.

The FNW logo is a trademark of Ferguson Enterprises, Inc., PL Sourcing, PO Box 2778, Newport News, VA 23609

The contents of this publication are presented for information purposes only, and while effort has been made to ensure their accuracy, they are not to be construed as warranties or guarantees, expressed or implied, regarding the products or services described herein or their use or applicability. All sales are governed by our terms and conditions, which are available on request. We reserve the right to modify or improve the designs or specifications of our products at any time without notice. Always verify that you have the most recent product specifications or other documentation prior to the installation of these products.