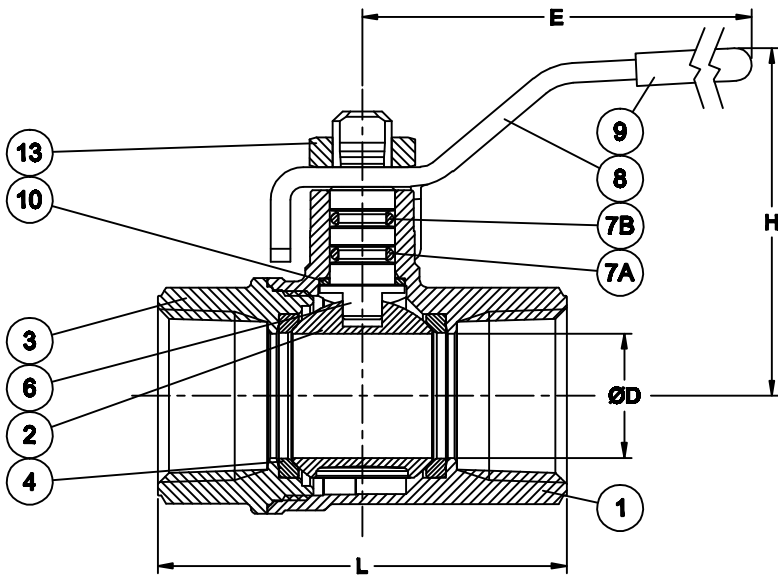
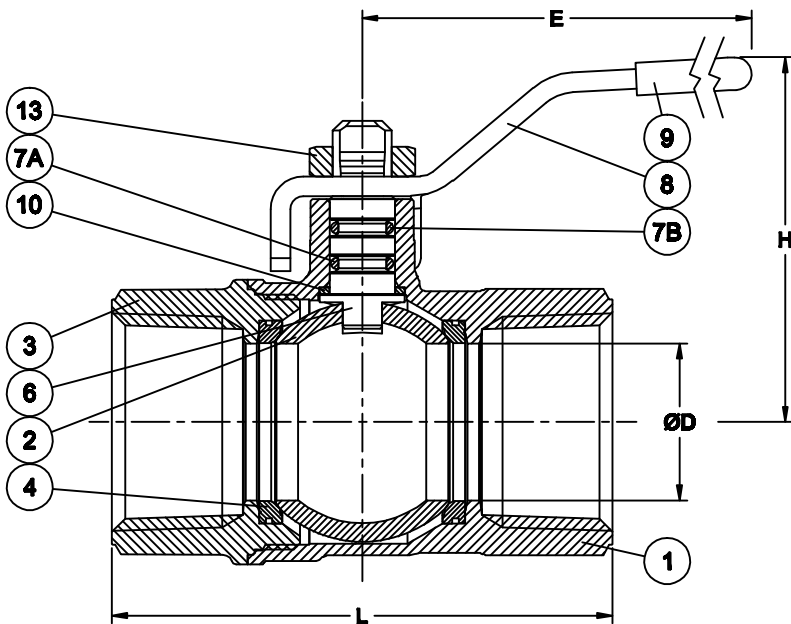


Ref. No.	Description	Material	Qty	Remarks
1	Body	Brass CW 510L	1	
2	Ball	Brass CW 510L (TEA Plated)	1	Solid ball 1/4" to 3/4" Hollow ball 1" & larger
3	End Cap	Brass CW 510L	1	
4	Seat	PTFE	2	
6	Stem	Brass CW 510L (TEA Plated)	1	
7	Stem Packing	PTFE	1	1/4" & 3/8" only
7A	Stem O-ring	NBR	1	
7B	Stem O-ring	FKM	1	1/2" & larger only
8	Handle	Steel DD11	1	
9	Handle Sleeve	Vinyl	1	
10	Thrust Washer	PTFE	1	
11	Gland Nut	Steel CL04	1	1/4" & 3/8" only
11A	Packing Gland	Brass CW 614N (Nickel Plated)	1	1/4" & 3/8" only
13	Handle Nut	Steel CL04	1	



Size	ØD	E	L	H
1/4	0.39	3.78	2.03	1.67
3/8	0.39	3.78	2.03	1.67
1/2	0.55	3.78	2.22	1.77
3/4	0.75	4.76	2.46	2.22
1	0.94	4.76	3.01	2.32
1-1/4	1.19	5.94	3.37	2.85
1-1/2	1.50	5.94	3.70	3.09
2	1.95	6.30	4.33	3.70
2-1/2	2.44	8.07	5.16	4.59
3	2.99	8.07	5.94	4.98
4	2.99	8.07	6.50	4.98



FNW™		4120 NE Columbia Blvd Portland, OR 97211 Phone (503) 287-0280 Fax (503) 281-0277
TITLE/DESCRIPTION: FIGURE XX16 LEAD FREE BRASS THREADED END BALL VALVE, 00 WOB, 160 WBP		
DATE: 0-21-2013	BY: PEA	UNITS: INCHES
SCALE: NONE	APPD:	PAGES: 1
MODEL: XX16		
DWS NO: XX16_026-400		
NOTE: LF BRASS BODY, GAS RATED		
FILE: XX16_026-400.dwg	WT:	LOC: PORTLAND
PAGE SIZE: 0.8x11	REV: 0	RDATE:
THIS DRAWING CONTAINS CONFIDENTIAL AND PROPRIETARY INFORMATION OF FNW VALVE AND IS SUBMITTED TO YOU FOR THE LIMITED PURPOSE OF PRODUCING YOU INFORMATION ON PRODUCTS AND SERVICES PURCHASED FROM FNW VALVE. BY RECEIVING THIS DOCUMENT, YOU AGREE NOT TO DISCLOSE SUCH INFORMATION TO OTHERS EXCEPT BY WRITTEN PERMISSION OF FNW VALVE.		